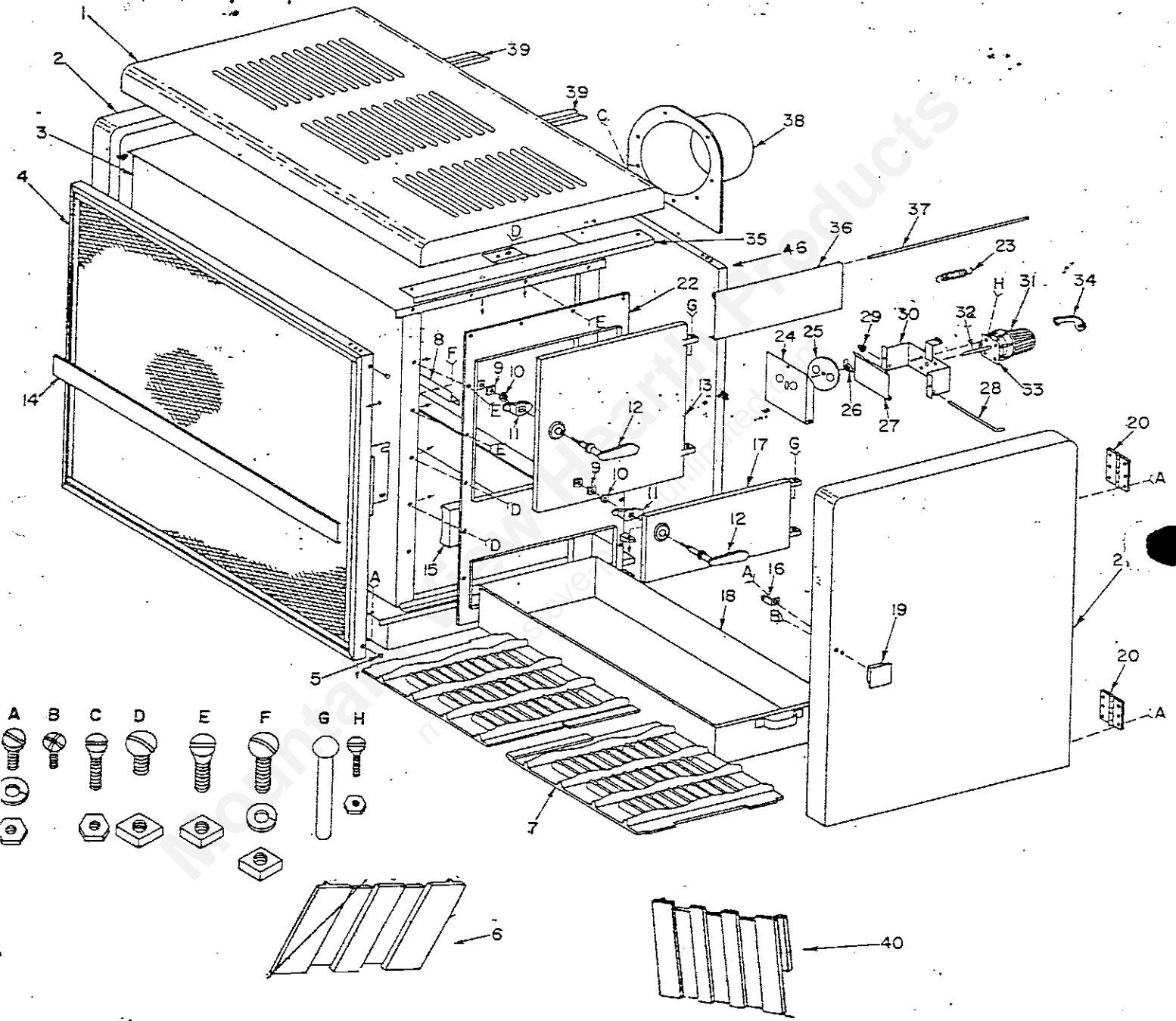


7800C



PARTS LIST — MODEL 7800-C

WOOD HEATER

KEY
NUMBER

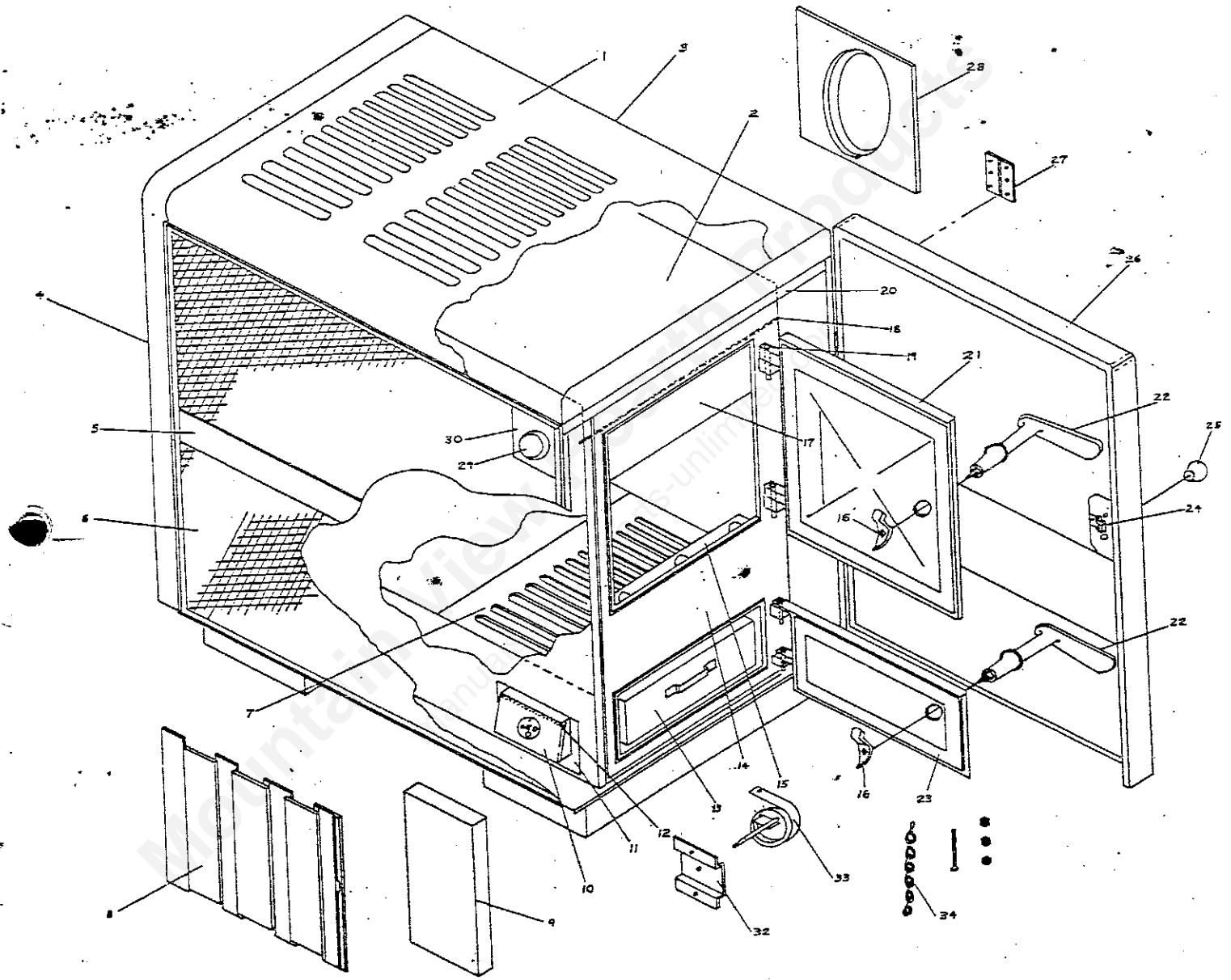
PART

PART
NUMBER

1	Cabinet Top	KF12010
2	Cabinet End	KF12410
3	Inner Unit	7802
4	Cabinet Front	7803
5	Grommet	7804
6	Back Liner Cast Iron	1036
7	Grate Cast Iron	1037
8	Liner Retainer Front or Rear	7834
8	Liner Retainer End	7835
9	1/4 - 20 Square Nut	7828
10	1/4 Flat Cut Washer	1032
11	Door Latch Cast Iron	1031
12	Handle Cast Iron	1026
13	Feed Door Cast Iron	1027
14	Trim Bar	KF12810
15	Front Liner	1058
16	Roller Catch	38
17	Ash Pit Door Cast Iron	1051
18	Ash Pan	1042
19	Handle Cabinet Door	1055
20	Door Hinge	1053
21	Cabinet Door	KF12210
22	Unit Door Frame	1054
23	Spring	5050
24	Draft Control Flapper	7806
25	Air Shutter	5051
26	Wing Nut 10 - 24	7807
27	Push Plate	7808
28	Hinge Pin Draft Control	7809
29	Speed Nut Push On	7810
30	Draft Bracket	7811
31	Control Bellows	25672
32	Control Bellows Pin	7831
33	Base Control Bellows	7829
34	Control Indicator	1046
35	Cabinet Tie Bar	7814
36	Smoke Curtain	7813
37	Smoke Curtain Rod	7812
38	Flue Collar	7815
39	Top Brace	7816
40	Side Liner (4 Req.)	1040
*41	King Emblem	7826
*42	Carton	7830
*43	Asbestos Seal Ash Pit Door	1028
*44	Asbestos Seal Feed Door	7817
*45	Name Plate	7833
46	Cassing Back	7832
A	10-24 x 1/2 Machine Screw, Nut & Washer	7818
B	#8-32 x 1/2 Machine Screw	7819
C	10-24 x 3/4 Flat Head Machine Screw & Nut	7820
D	10-24 x 1/2 Machine Screw & Nut	7821
E	1/4-20 x 3/4 Flat Head Machine Screw & Nut	7822
F	1/4-20 x 3/4 Truss Head Machine Screw & Nut	7823
G	Door Pin 1/4 x 1-1/2	1007
H	#6-40 x 1/2 Machine Screw & Nut	7824

* Not Illustrated

7801-1



**PARTS LIST — MODEL 7801-1
BRICK OR CAST LINED
WOOD HEATER**

<u>KEY NUMBER</u>	<u>PART</u>	<u>PART NUMBER</u>
1	Cabinet Top	KF12010
2	Inner Unit	7836
3	Back	7835
4	Cabinet End	KF12410
5	Trim Bar	7837
6	Cabinet Front	7838
7	Grate, Cast Iron (for cast lining) 2 reqd.	1037
7	Grate, Cast Iron (for brick lining) 2 reqd.	7801
8	Side Liner, Cast - 4 reqd. (for cast lining).	1040
8	Liner, End, Cast Iron, (for cast lining).	1036
9	Brick, - 13 reqd. (for brick lining).	7800
10	Draft Control Flapper	7839
11	Manifold, Cast Iron	7840
12	Hinge Pin Draft Control	7841
13	Ash Pan	1042
14	Unit Door Frame (1 Piece)	1054
	Alternate: (2 Piece)	
	Upper Front Door Frame	7852
	Lower Front Door Frame	7853
15	Front Liner, Cast Iron	1058
16	Door Latch, Cast Iron	1031
17	Smoke Curtain	7813
18	Smoke Curtain Rod	7812
19	Door Pin 1/4 x 1/2 (4 reqd.)	1007
20	Cabinet Tie Bar	7842
21	Feed Door, Cast Iron	1027-1
22	Handle	75-003
23	Ash Pit Door, Cast Iron	1051-1
24	Roller Catch	38
25	Handle, Cabinet Door	STK#10-1033
26	Cabinet Door	KF12255
27	Door Hinge (1 1/2 x 2) 2 reqd.	
28	Flue Collar	35A
29	Thermostat Knob	7843
30	Dial Indicator	7844
32	Thermostat Bracket	7846
33	Bi-Metal Coil & Shaft	7847
34	Chain	7848
*35	Spring	7849
*36	Cupped Washer (2 reqd.)	7850
*37	Carter Key	7851
*38	Liner Retainer, Front or Rear (Brick Lining)	7805
*39	Liner Retainer, End (Brick Lining)	7827
*40	Liner Retainer, Front or Rear (Cast Lining)	7834
*41	Top Brace	7816
*42	Name Plate	7825
*43	King Emblem	7826
*44	Asbestos Seal Feed Door	7817
*45	Asbestos Seal Ash Door	1028
*46	Carton	7830
*47	Rubber Grommet	7804

* Not Illustrated