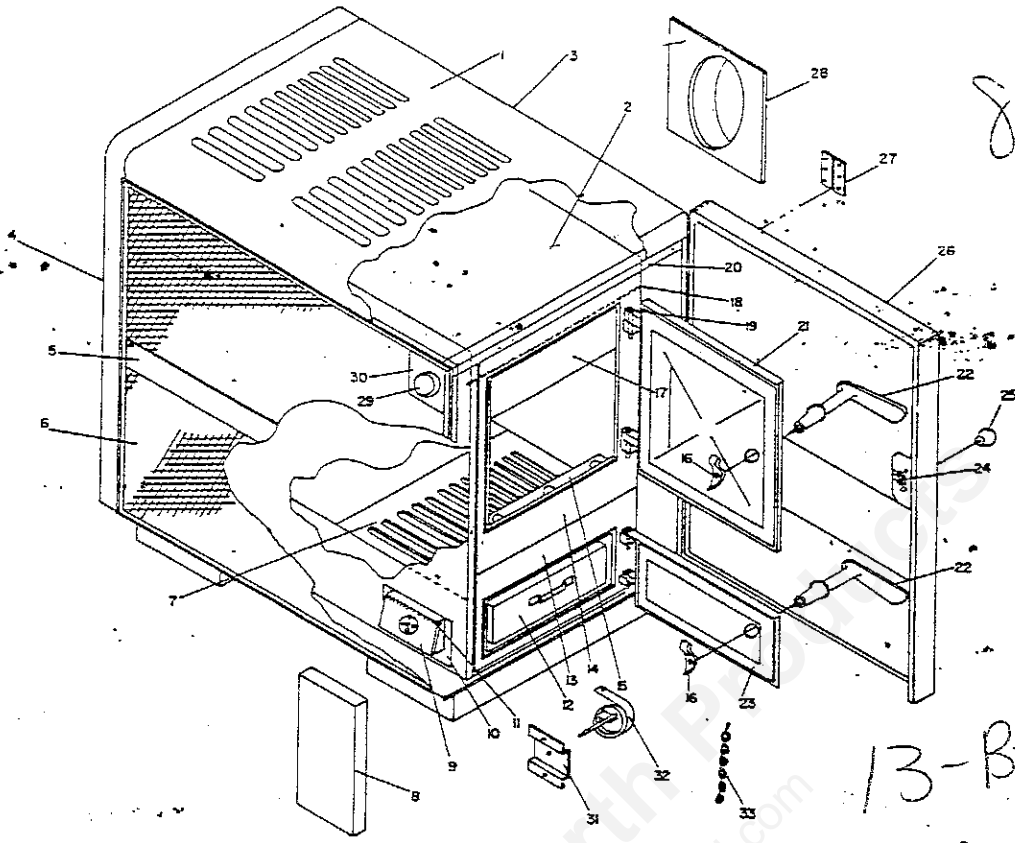


8800-B-



WHEN ORDERING REPLACEMENT PARTS, SPECIFY:

1. PART NAME
2. PART NUMBER (NOT KEY NUMBER)
3. HEATER MODEL NUMBER

KEY NO.	PART NAME	PART NO.
1.	Cabinet Top Assembly	CF4707
2.	Chamber Assembly (includes base and chamber shell only)	000861
3.	Casing Back Assembly	000873
4.	Casing End Assembly	CF8002
5.	Screen Trim Strip Assembly	CF8202
6.	Screen Frame Assembly	CF8101
7.	Grate (Cast Iron)	5227
8.	Brick (Ceramic) <i>89944</i>	P7115
9.	Draft Plate Assy.	CF10701
10.	Manifold (Cast Iron)	5206
11.	Draft Control Pin	000846
12.	Ash Pan Assembly	CF7801
13.	Ash Door Frame (Cast Iron)	005543
14.	Feed Door Frame (Cast iron)	5225
15.	Front Liner (Cast iron)	5223
16.	Latch K-79 (Cast Iron)	P5236
17.	Smoke Curtain <i>0091022</i>	017601
18.	Smoke Curtain Rod	000845
19.	Rivet (Door Pin)	P626
20.	Casing Tie Bar (2 Req'd)	000815
21.	Feed Door (Cast Iron)	5226
22.	Handle (For Feed Door or Ash Door)	P5235

KEY NO.	PART NAME	PART NO.
23.	Ash Door	5222
24.	Latch, Roller	P517
25.	Knob, Casing Door	P6211
26.	Casing Door Assembly	CF8302
27.	Hinge, Casing Door	P5224
28.	Flue Collar 35AL-1	5539
29.	Knob (Thermostat)	P6212
30.	Plate, ("King Automatic")	P11462
31.	Thermostat Bracket Assembly	CF10301
32.	Thermostat Coil Assembly	P5214-4
33.	Chain	P5072
*34.	Spring (Thermostat)	P5219
*35.	Cotter Pin 3/32 x 1	Purchase Locally
*36.	Brick Retainer Side Assembly (2 Req'd)	000854
*37.	Brick Retainer Rear Assembly	000855
*38.	Grate Support Angle Side Assembly (2 Req'd)	000851
*39.	Grate Support Angle End Assembly	000852
*40.	Top Brace Assembly (Cabinet)	CF7901
*41.	Asbestos Rope (Specify for Feed Door or Ash Door)	P6221
*42.	Bumper, Rubber	P6202
* Not Shown.		

NOTE: Replacement nuts, bolts, and screws required for re-assembly can be purchased locally.



KING PRODUCTS DIVISION
P.O. Box 128, Florence, AL 35630