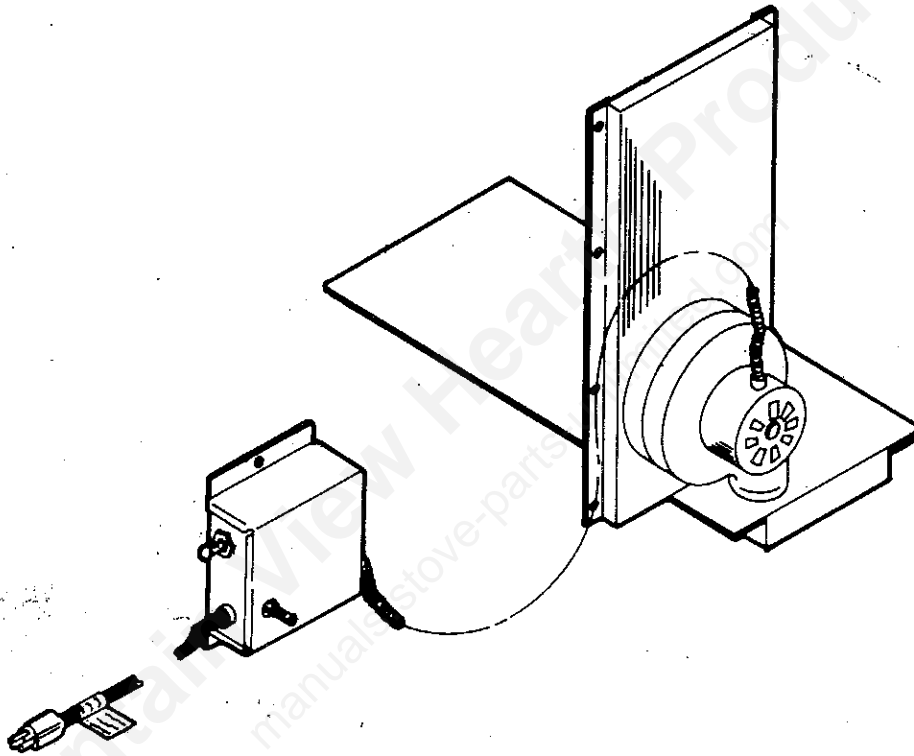


BLOWER KIT

FOR

WOODBURNING CIRCULATOR HEATER

MODEL F26U



SAVE THIS MANUAL FOR FUTURE REFERENCE

CAUTION:
Read All Instructions
Carefully Before Start-
ing The Installation.

- Installation
- Repair Parts



UNITED STATES STOVE COMPANY

P. O. Box 5349, Chattanooga, TN 37406

FORM 85140C 6/82

introduction

Your Blower Kit is shipped in three parts. It is completely wired and ready for attachment to your Circulator Heater.

NOTE: The F26U Blower is listed by U. L. when used with Models 3021 or 3027 and Listed by ETLM when used with Models 2600, 2621, 2627.

installation

INSTALL BLOWER USING PART I OR II OF THE INSTALLATION INSTRUCTIONS

Part I is for Heater Models 3021 and 3027

1. Attach Vertical Inlet Duct (A) to Horizontal Outlet Duct (B) with (1) sheet metal screw.
2. Slide the Horizontal Outlet Duct (B) into the rails on the bottom of the heater base.
3. Attach the Vertical Duct (A) to the back of the Heater using (8) sheet metal screws.
4. Attach the Control box (C) to back of Heater at the lower left corner using (2) sheet metal screws.

Part I

FIG. 1

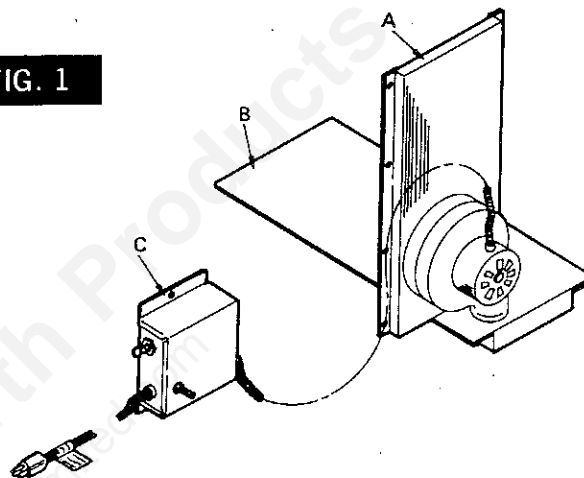
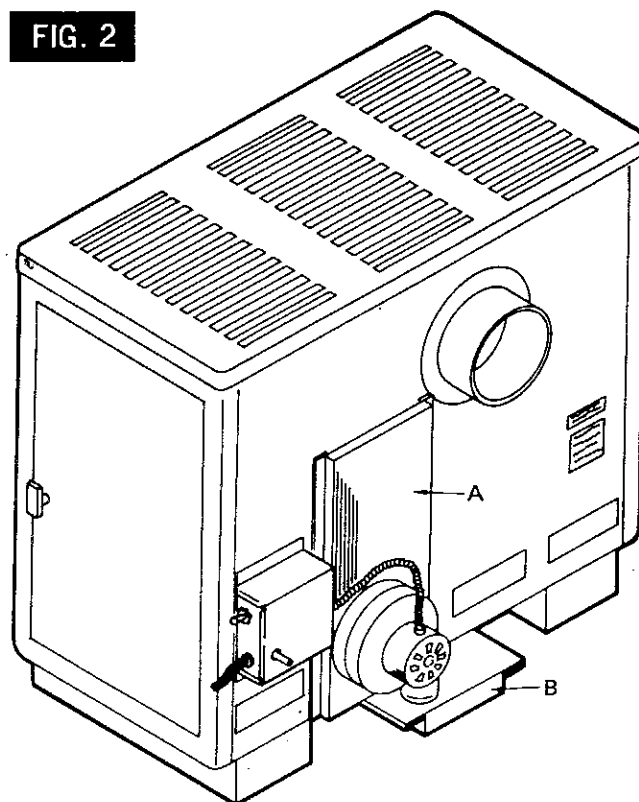


FIG. 2



Part II IS FOR HEATER MODELS 726, 826, 726S, 726ST, 2600, 2601, 2607, 2621, 2627, 2651.

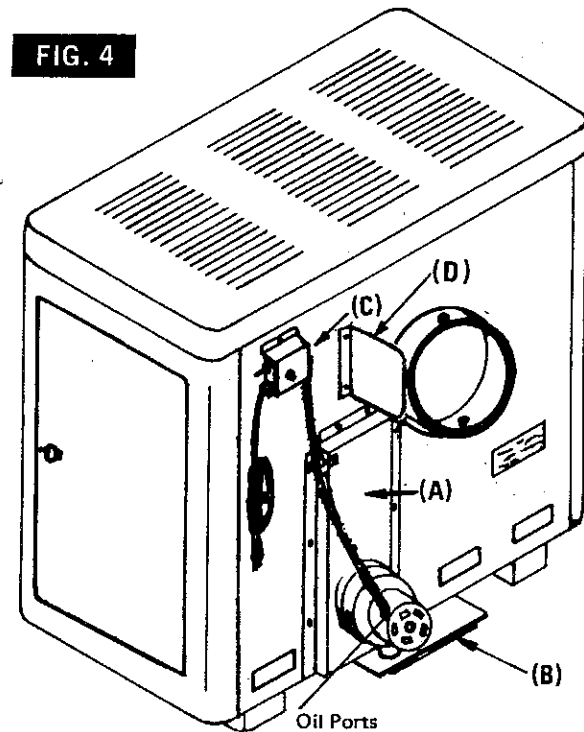
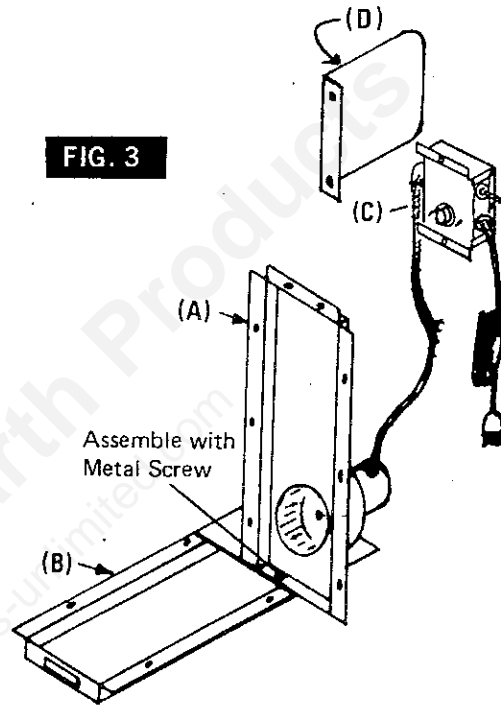
1. Attach Vertical Inlet Duct (A) to Horizontal Outlet Duct (B) with (1) sheet metal screw. (Fig. 3)
2. Slide the Horizontal Outlet Duct (B) into the rails on the bottom of the heater base.
3. Attach the Vertical Duct (A) to the back of the Heater using eight sheet metal screws. (Fig. 4)
4. Attach the Control Box (C) to back of Heater at the upper left corner using two sheet metal screws. (Fig. 4)
5. Attach Heater Shield (D) using two sheet metal screws. (Fig. 4)
6. Attach conduit, with clamp and screw from parts bag, to inlet duct at hole provided. See illustration. (Fig. 4)

operation

1. Plug the power supply cord into a 120 Volt A. C. outlet.
2. Light a fire in the Heater.
3. Turn the switch on the Blower Control Box to HIGH or LOW speed position. The Blower will Automatically turn on when the Heater reaches operating temperature, and will turn off when the Heater has cooled.

NOTE: The fan thermostatic switch can be adjusted to give longer or shorter "ON" periods by rotating the adjustment shaft on the back of the Control Box.

Part II



repair parts

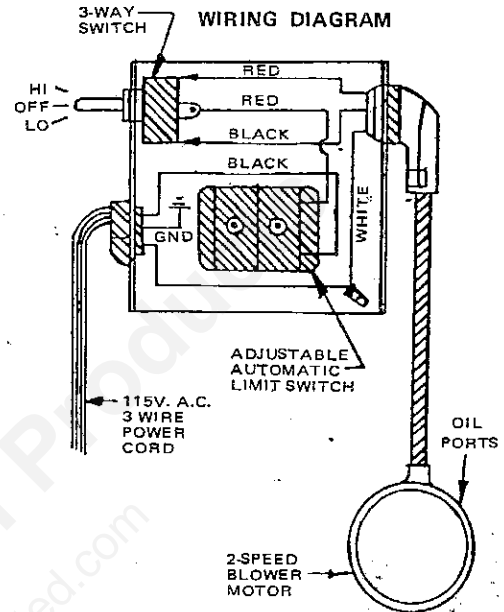
F26U

When Ordering Repair Parts Always Give The Following:

1. The Heater Model Number
2. The Blower Model Number
3. The Part Number
4. The Part Description

Key No.	Part No.	Description
1	66010	Duct, Outlet Air
2	80108	Cord, Electric Power Supply
3	21603	Duct, Inlet Blower
4	80109	Bushing, Strain Relief
5	21973	Plate, Mounting Control
6	80004	Switch, 3-Way
7	80069	Conduit Locknut
8	80062	Connector, Squeeze
9	83801	Bushing, Anti-Short (not visible)(2 Req'd)
10	80007	Switch, Fan Auto. Adj. (100° F, Med.)
11	80006	Nut, Wire (2 Req'd)
12	80085	Jumper Wire
13	89009	Sleeve, Adj. Nylon
14	80061	Conduit
15	21271	Cover, Control Blower
16	83216	Sheet Metal Screws (10Ax3/8) (18 Req'd.)
17	83222	Sheet Metal Screws (10B-3/8) (2 Req'd.)
18	80084	Motor
*	85140C	Owner's Manual

* Not shown



IF ANY OF THIS ORIGINAL WIRING MUST BE REPLACED, IT SHOULD BE REPLACED BY WIRING HAVING EQUIVALENT INSULATION AND TEMPERATURE RATING (105°C).

