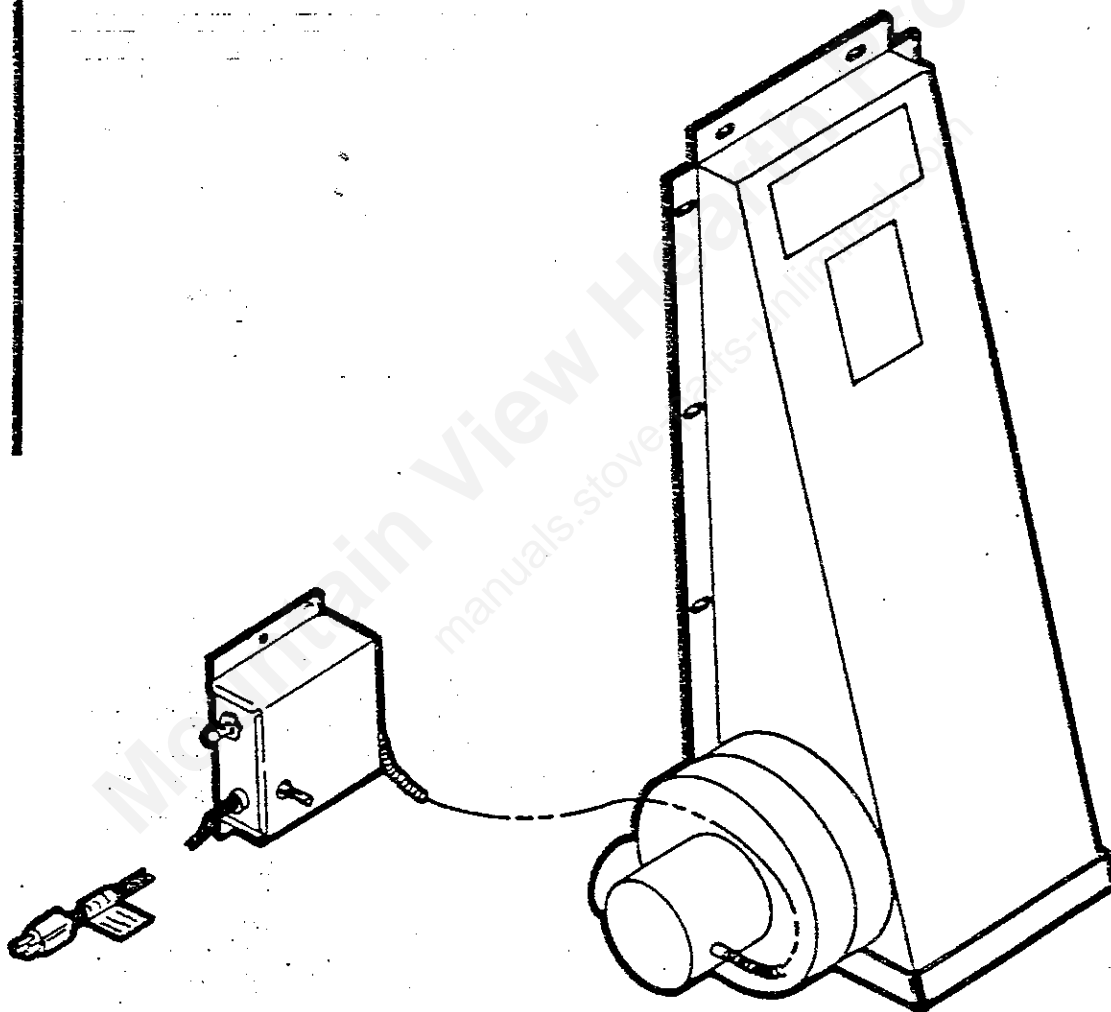


BLOWER KIT

FOR

WOOD/COAL BURNING CIRCULATOR HEATER

MODEL F36



- Installation
- Operation
- Maintenance
- Repair Parts

CAUTION:
Read All Instructions
Carefully Before Starting
The Installation

SAVE THIS MANUAL FOR FUTURE REFERENCE



UNITED STATES STOVE COMPANY

3500 North Hawthorne Street — P.O. Box 5349
Chattanooga, Tennessee 37406 — (615) 698-3435

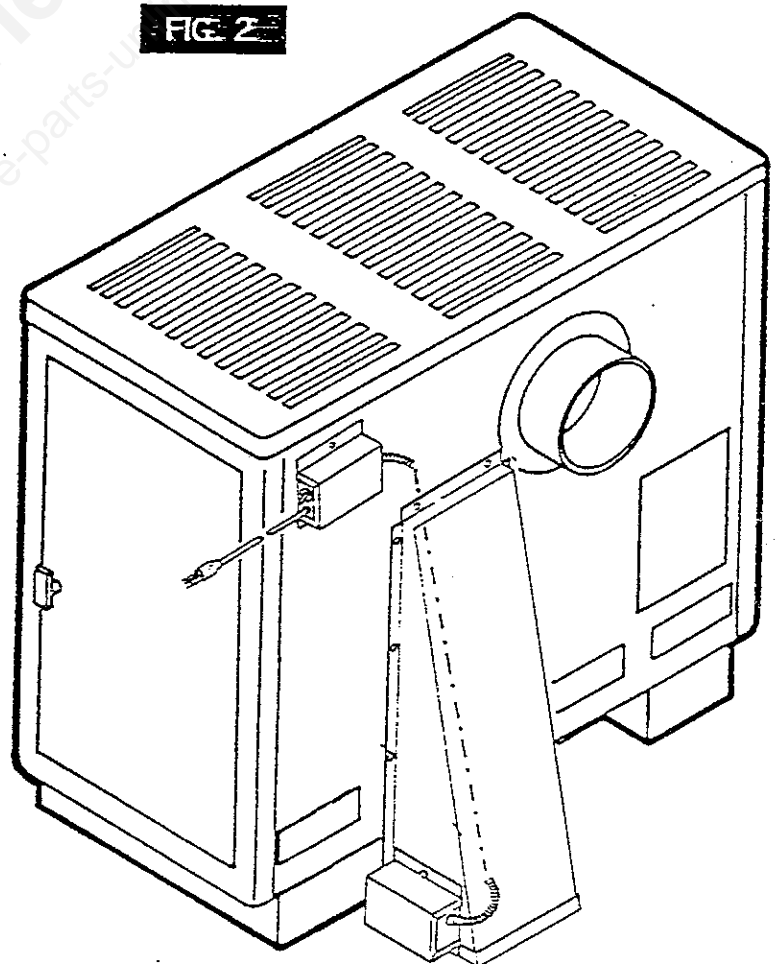
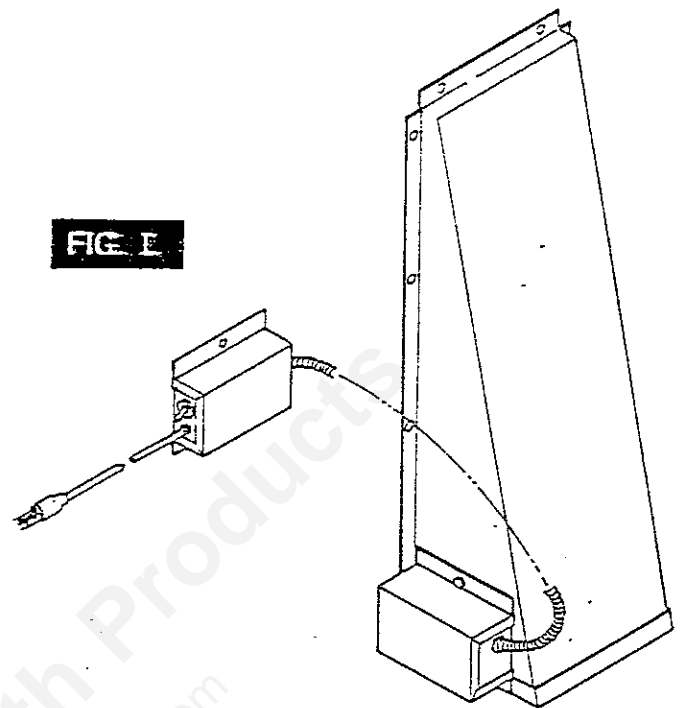
FORM 95365F 1/89

introduction

Your Blower Kit is shipped completely wired and ready for installation to your circulator heater.

Installation:

1. Attach blower inlet duct (A) to cabinet back with (9) sheet metal screws.
2. Attach the control box (B) to back of heater cabinet at the middle left side using (2) sheet metal screws.
3. If the thermostat comes on too quickly, or if the blower runs too long, you may change the location of the control box to the lower left corner of the cabinet back, using the (2) sheet metal screws provided.



OPERATION:

1. Plug the power supply cord into a 120 volt A/C outlet.
2. Light a fire in the heater.
3. Turn the switch on the blower control box to either "on" position. In the on/manual position, the blower will run until you turn it off. In the on/automatic position, the blower will turn on when the heater reaches operating temperature and will turn off when the heater has cooled.

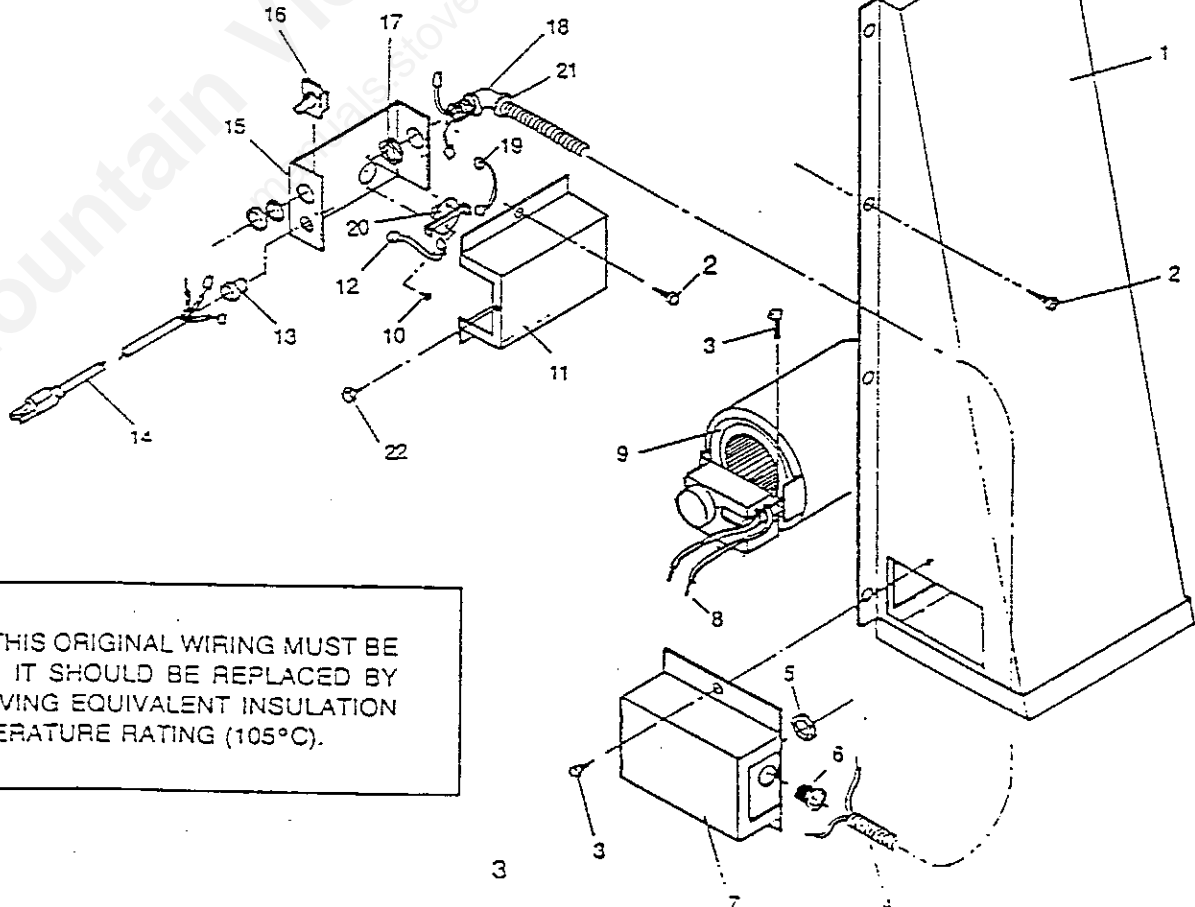
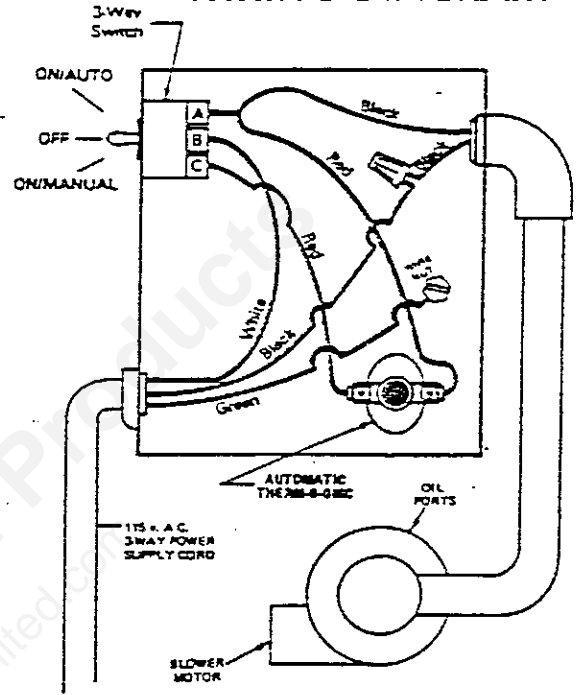
repair parts

MODEL NO. F36B

- When Ordering Repair Parts Always Give The Following:
1. The Heater Model Number
 2. The Blower Model Number: F36B
 3. The Part Number
 4. The Part Description

Key No.	Part No.	Description
1	67791	Blower duct assembly (Right or Left)
2	83245	Sheet metal screw 10Ax3/8 (14 Req'd)
3	83248	#10 HxHD Self Drilling (8)
4	21807	Conduit
5	80069	Conduit locknut
6	80066	Connector (straight)
7	23404	Junction box
8	80295	Black Wire 44"L (2ea.)
9	80241	Blower assembly (80242)
10	83222	10 6x3/8 HxWHD Z Serrated (1)
11	21271	Control box cover
12	80085	Jumper wire
13	80109	Strain relief bushing
14	80108	Power supply cord
15	21973	Mounting, control plate
16	80004	3-way toggle switch
17	80069	Conduit locknut
18	80062	Connector (90°)
19	80110	Jumper wire (piggy back)
20	80100	Limit auto adjust switch
21	83801	Anti-short bushing (2 req'd)
22	83221	Sheet metal screw (2 req'd)
*	85365G	Owners manual

WIRING DIAGRAM



IF ANY OF THIS ORIGINAL WIRING MUST BE REPLACED, IT SHOULD BE REPLACED BY WIRING HAVING EQUIVALENT INSULATION AND TEMPERATURE RATING (105°C).

Model F36

Blower

KEY	DESCRIPTION	PART #	QTY.	PRICE EACH
1	Conduit	21807	1	4.24
2	Blower	80114	1	70.16
3	Sheet Metal Screw 10A x 3/8 Serrated	83222	2	1.08
4	Sheet Metal Screw 10B x 3/8 Serrated	83245	16	1.08
5	Limit Auto Adj. Switch	80146	1	33.10
6	Jumper Wire	80085	1	1.08
7	Power Supply Cord	22833	1	21.22
8	Strain Relief Bushing	80109	1	1.08
9	Mounting Control Plate	21973	1	8.28
10	3-Way Toggle Switch	80004	1	13.24
11	Conduit Locknut	80069	1	1.08
12	Connector	80062	1	1.08
13	Anti-Short Bushing	83801	1	1.08
14	Jumper Wire (Piggy Back)	80110	1	1.08
15	Control Box Cover	21271	1	8.48
16	Blower Duct Assembly	67791	1	36.08

