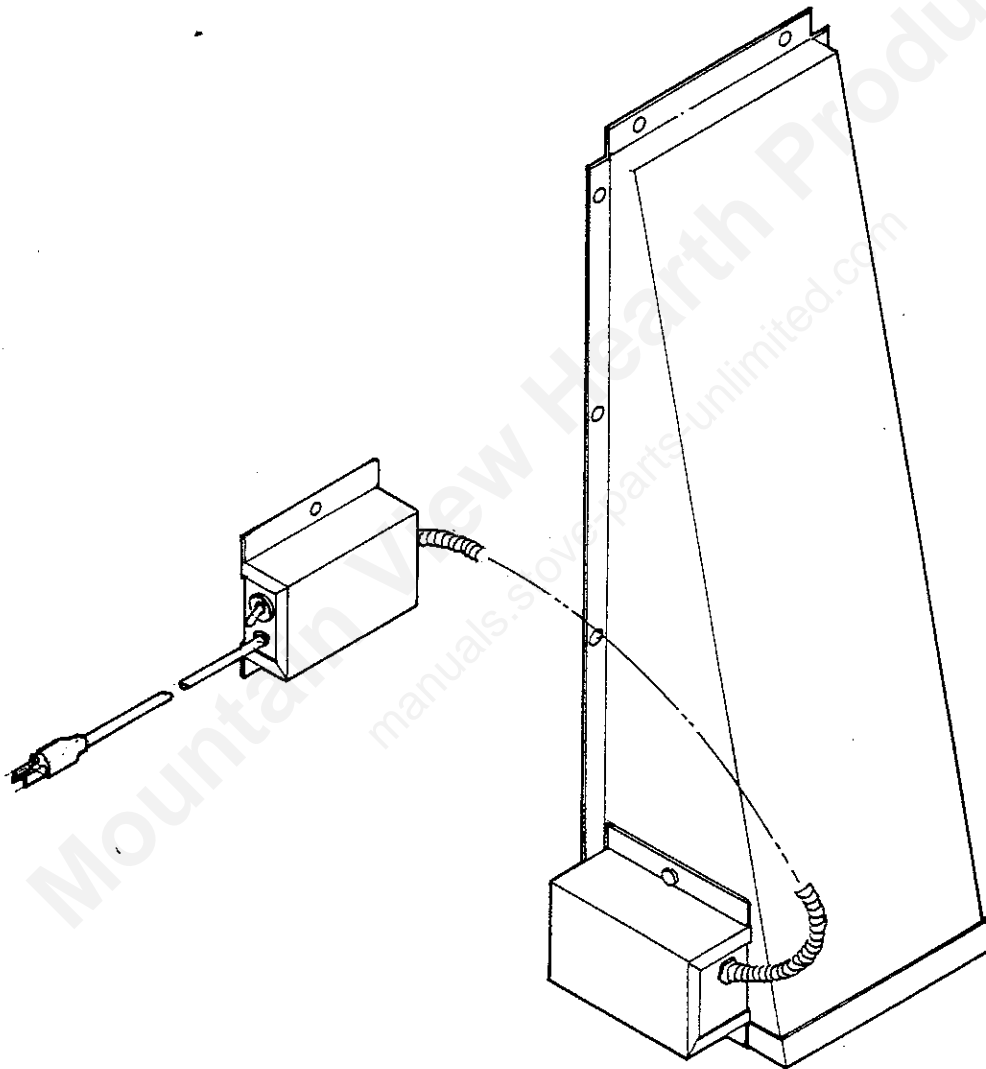


# BLOWER KIT FOR WOOD/COAL BURNING CIRCULATOR HEATERS MODEL F36B

*Weight  
10 lbs.*



- Installation
- Operation
- Maintenance
- Repair Parts



**CAUTION:**  
Read All Instructions  
Carefully Before Starting  
The Installation

SAVE THIS MANUAL FOR FUTURE REFERENCE



**UNITED STATES STOVE COMPANY**

3500 North Hawthorne Street — P.O. Box 5349  
Chattanooga, Tennessee 37406 — (615) 698-3435

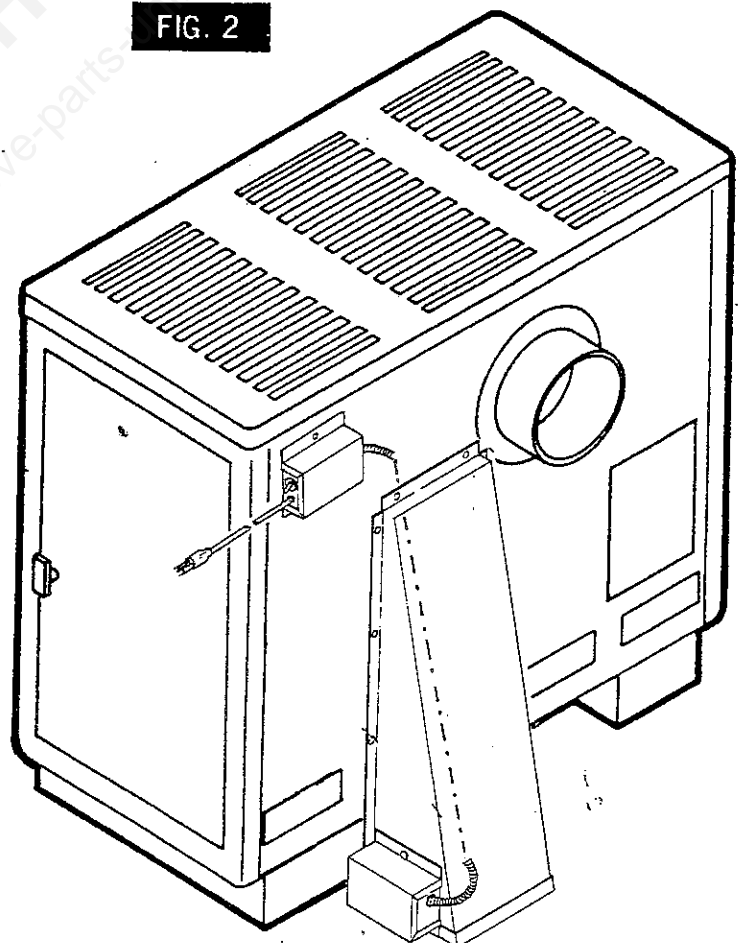
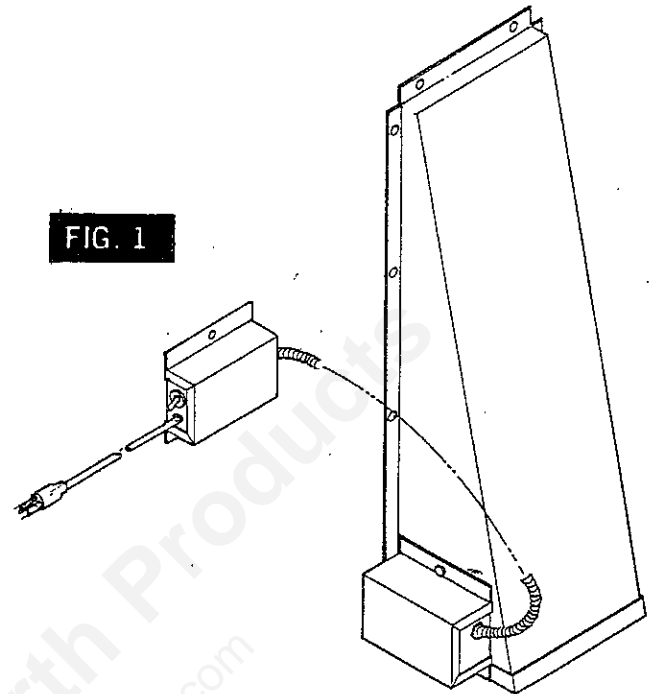
FORM 85365G 12/90

# Introduction

Your Blower Kit is shipped completely wired and ready for installation to your circulator heater.

## Installation:

1. Attach blower inlet duct (A) to cabinet back with (9) sheet metal screws.
2. Attach the control box (B) to back of heater cabinet at the middle left side using (2) sheet metal screws.
3. If the thermostat comes on too quickly, or if the blower runs too long, you may change the location of the control box to the lower left corner of the cabinet back, using the (2) sheet metal screws provided.



## OPERATION:

1. Plug the power supply cord into a 120 volt A/C outlet.
2. Light a fire in the heater.
3. Turn the switch on the blower control box to either "on" position. In the on/manual position, the blower will run until you turn it off. In the on/automatic position, the blower will turn on when the heater reaches operating temperature and will turn off when the heater has cooled.

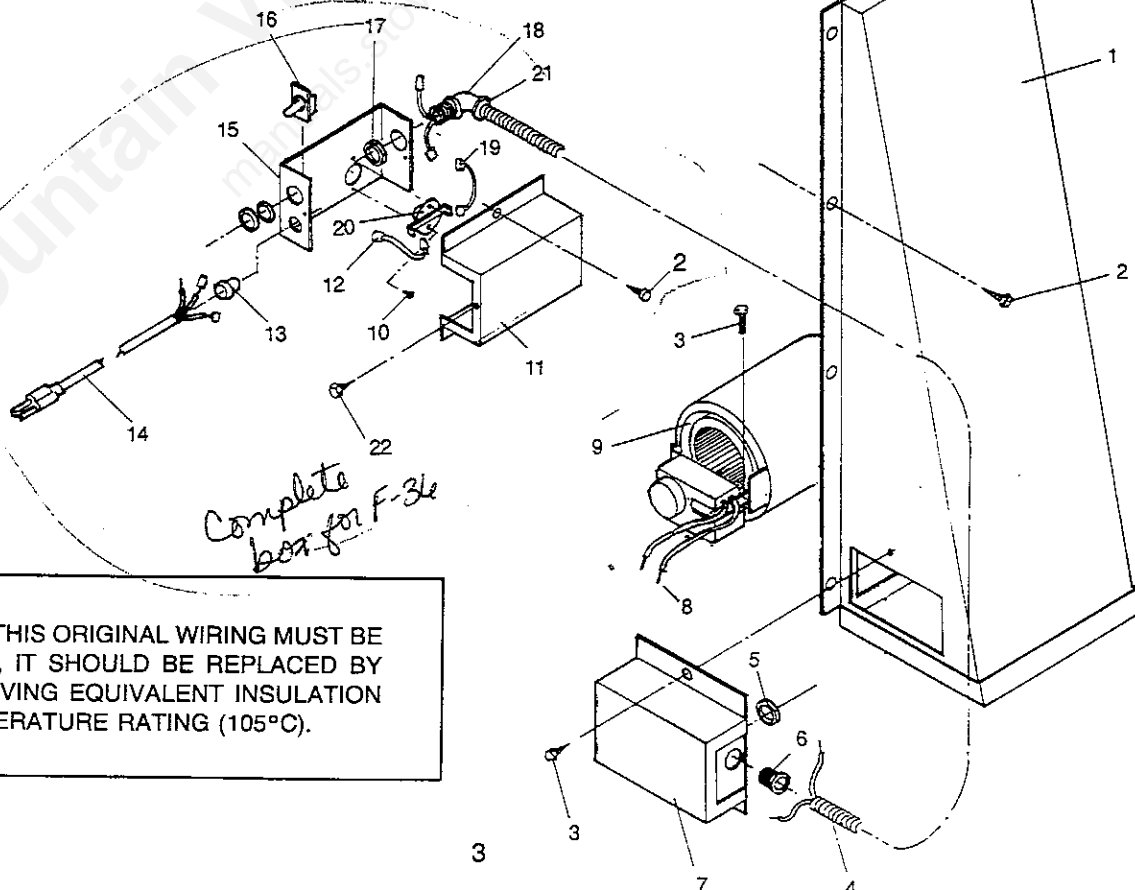
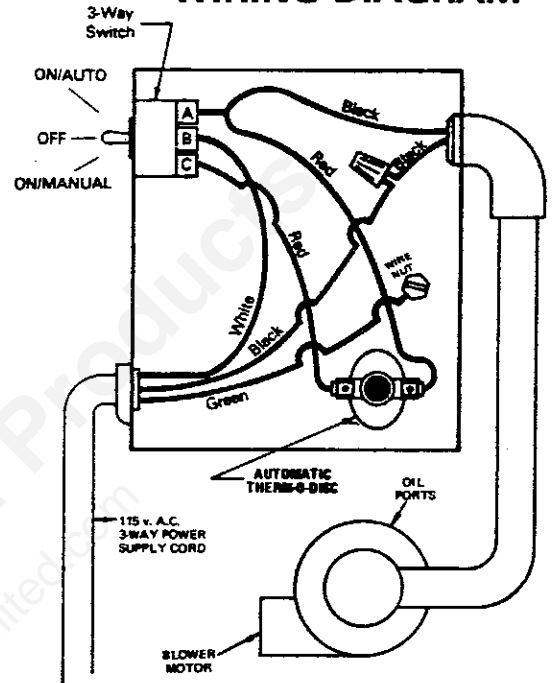
# repair parts

MODEL NO. F36B

- When Ordering Repair Parts Always Give The Following:
1. The Heater Model Number
  2. The Blower Model Number: F36B
  3. The Part Number
  4. The Part Description

| Key No. | Part No.         | Description                          |
|---------|------------------|--------------------------------------|
| 1       | 67791            | Blower duct assembly (Right or Left) |
| 2       | 83245            | Sheet metal screw 10Ax3/8 (14 Req'd) |
| 3       | 83248            | #10 HxHD Self Drilling (8)           |
| 4       | 21807            | Conduit                              |
| 5       | 80069            | Conduit locknut                      |
| 6       | 80086            | Connector (straight)                 |
| 7       | 23404            | Junction box                         |
| 8       | 80295            | Black Wire 44"L (2ea.)               |
| 9       | 80241 <i>DEF</i> | Blower assembly (80242) <i>RIGHT</i> |
| 10      | 83222            | 10 Bx3/8 HxWHD Z Serrated (1)        |
| 11      | 21271            | Control box cover                    |
| 12      | 80085            | Jumper wire                          |
| 13      | 80109            | Strain relief bushing                |
| 14      | 80108            | Power supply cord                    |
| 15      | 21973            | Mounting, control plate              |
| 16      | 80004            | 3-way toggle switch                  |
| 17      | 80069            | Conduit locknut                      |
| 18      | 80062            | Connector (90°)                      |
| 19      | 80110            | Jumper wire (piggy back)             |
| 20      | 80100            | Limit auto adjust switch             |
| 21      | 83801            | Anti-short bushing (2 req'd)         |
| 22      | 83221            | Sheet metal screw (2 req'd)          |
| *       | 85365G           | Owners manual                        |

## WIRING DIAGRAM



IF ANY OF THIS ORIGINAL WIRING MUST BE REPLACED, IT SHOULD BE REPLACED BY WIRING HAVING EQUIVALENT INSULATION AND TEMPERATURE RATING (105°C).