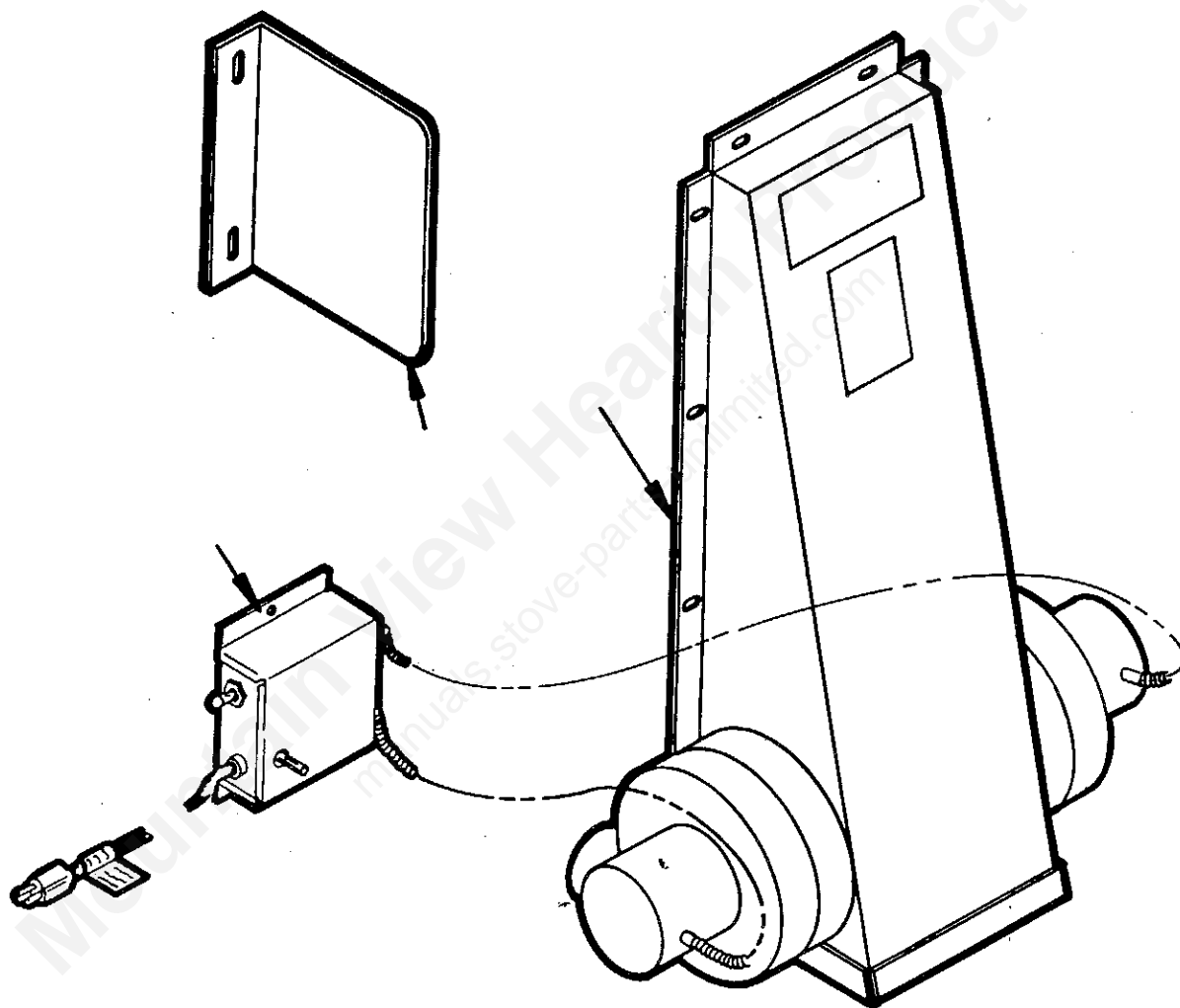


# BLOWER KIT

## FOR

### WOOD/COAL BURNING CIRCULATOR HEATER

# MODEL F56



SAVE THIS MANUAL FOR FUTURE REFERENCE

**CAUTION:**  
Read All Instructions Carefully  
Before Starting The Installation

- Installation
- Operation
- Maintenance
- Repair Parts



**UNITED STATES STOVE COMPANY**  
3500 North Hawthorne Street, Chattanooga, TN 37406  
(615) 698-3435

FORM 85468 8/84

# Introduction

Your Blower Kit is shipped in two parts. It is completely wired and ready for attachment to your Circulator Heater.

NOTE: The F56 Blower is listed by U.L. when used with Models 3021, 3027, 2700, 2721, 2727, 4027, 5021, 5027, 6021, and 6027.

# Installation

INSTALL BLOWER USING PART I OR II OF THE INSTALLATION INSTRUCTIONS

**Part I is for  
Heater Models  
3021, 3027, 2700, 2721,  
2727, 4027, 5021, 5027,  
6021, and 6027**

1. Attach the two Blower Housings to the Blower Inlet Duct using sheet metal screws. Fig. 2.
2. Attach Blower Inlet Duct (A) to cabinet back with sheet metal screws.
3. Attach the Control Box (B) to back of Heater at the middle left side using (2) sheet metal screws.
4. If the thermostat comes on too quickly or if the blower runs too long, you may move the Control Box to the lower left corner and mount the control using the (2) sheet metal screws.

# Part I

FIG. 1

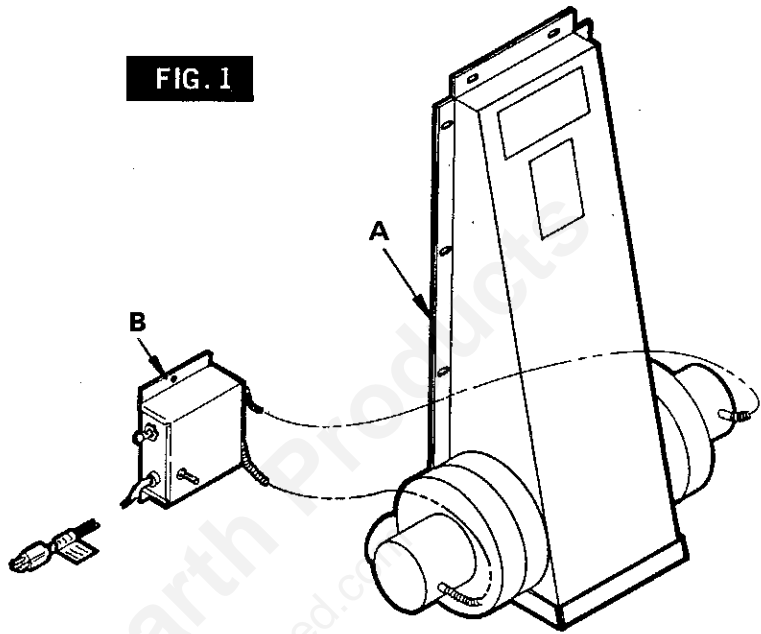
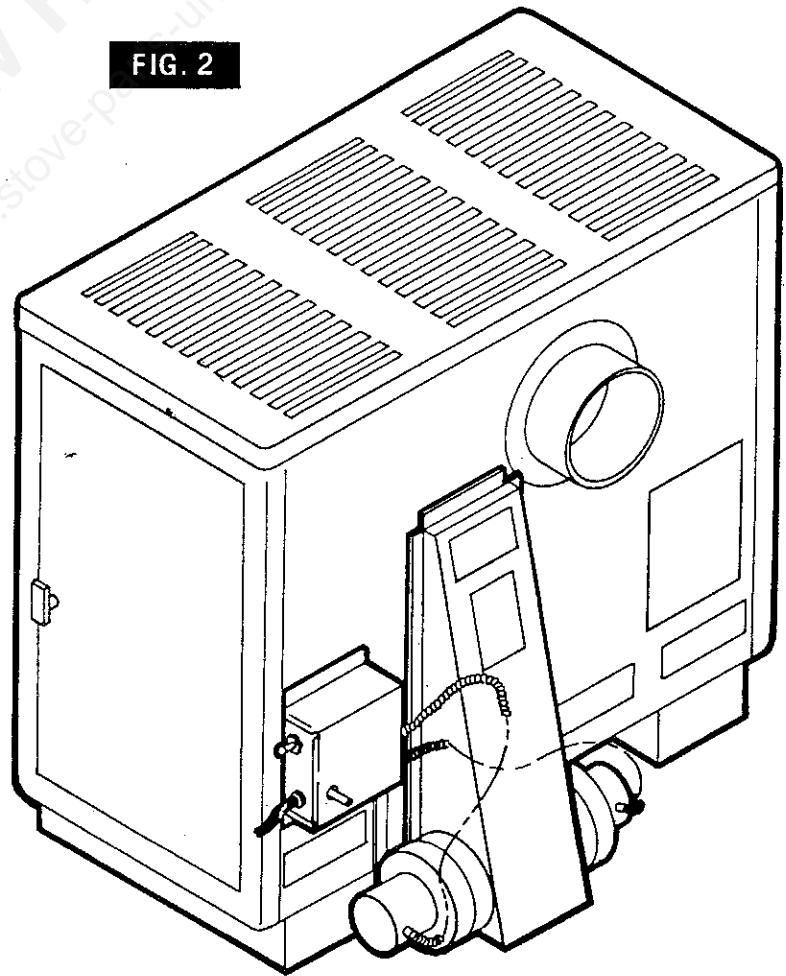


FIG. 2



## Part II Is For Heater

Models 726, 826, 726S,

726ST, 2600, 2601,

2607, 2621, 2627, 2651.

## Installation

1. Attach the two Blower Housings to the Blower Inlet Duct using sheet metal screws. Fig. 3.
2. Attach Blower Inlet Duct (A) to cabinet back with sheet metal screws.
3. Attach the Control Box (B) to back of Heater at the upper left corner using (2) sheet metal screws.
4. Attach Control Box Shield (C) to cabinet back. Fig. 4.

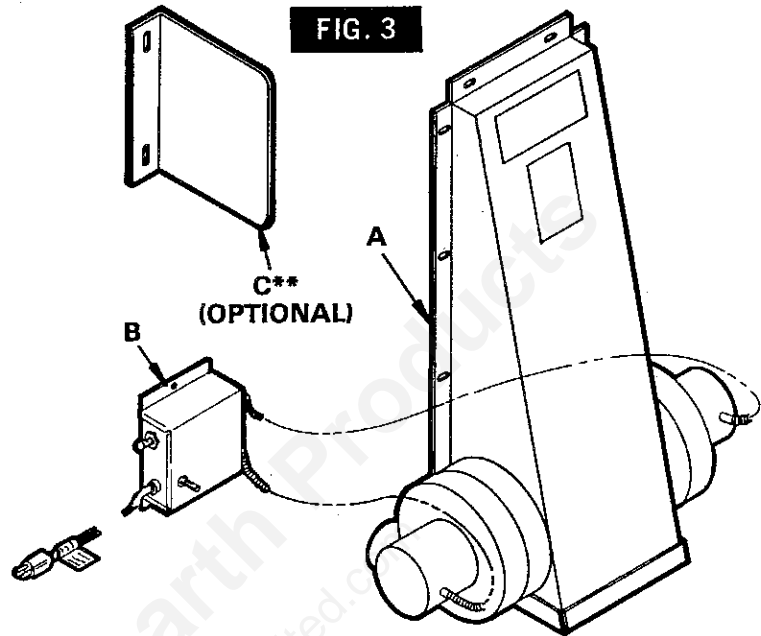
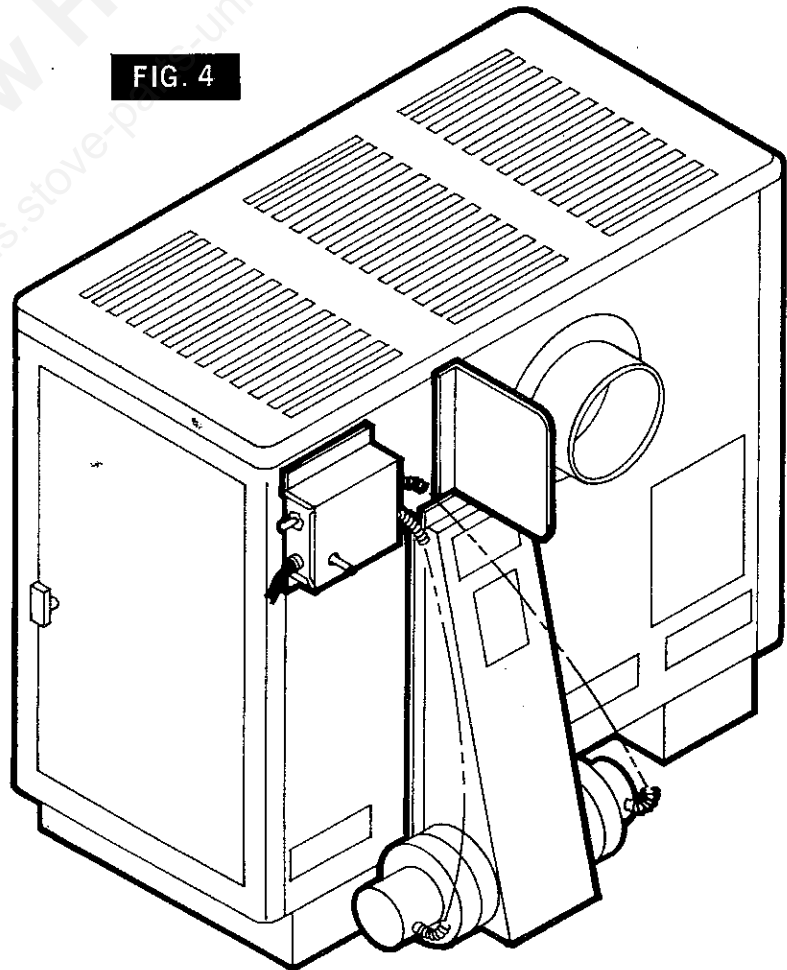


FIG. 4



## operation

1. Plug the power supply cord into a 120 Volt A. C. outlet.
2. Light a fire in the Heater.
3. Turn the switch on the Blower Control Box to either ON position. In the ON/MANUAL position, the blower will run until you turn it off. In the ON/AUTOMATIC position, the blower will turn on when the heater reaches operating temperature and will turn off when the heater has cooled.

## maintenance

OIL THE BLOWER MOTOR TWICE A YEAR  
WITH 2 DROPS OF S.A.E. 20 OIL.

# repair parts

MODEL NO. F56

When Ordering Repair Parts Always Give The Following:

1. The Heater Model Number
2. The Blower Model Number: F56
3. The Part Number
4. The Part Description

Key No.	Part No.	Description
1	21807	Conduit
2a	80114	Blower
2b	80155	Blower
3	83222	Sheet Metal Screw - 10B x 3/8 Serrated Hex Washer (2 Req'd.)
4	83245	Sheet Metal Screw No.10A x 3/8 Serrated Hex Washer, Slotted (18 Req'd)
5	80100	Limit Auto Adj. Switch
6	80085	Jumper Wire
7	80108	Power Supply Cord
8	83814	Strain Relief Bushing
9	22402	Mounting Control Plate
10	80004	3-Way Toggle Switch
11	80069	Conduit Locknut
12	80062	Connector
13	83801	Anti-Short Bushing
14	80110	Jumper Wire ("Piggy-Back")
15	21271	Control Box Cover
16	68069	Blower Duct Assembly
17	21272**	Control Box Shield
	85468	Owner's Manual

\*\* Shield is not supplied with Blower Kit, but is required for Part II Heater Models. (See page 3).

IF ANY OF THIS ORIGINAL WIRING MUST BE REPLACED, IT SHOULD BE REPLACED BY WIRING HAVING EQUIVALENT INSULATION AND TEMPERATURE RATING (105°C).

## WIRE DIAGRAM

