



WOOD BURNING CIRCULATOR HEATER MODEL KWC100

Installation, Operation and Maintenance Instructions

TABLE OF CONTENTS

IMPORTANT INFORMATION	1
HOW THIS HEATER OPERATES	1
BUILDING CODES AND SAFETY STANDARDS	1
SELECTING A LOCATION FOR THE HEATER	1
UNPACKING AND INSPECTION	3
CHIMNEY CONNECTOR AND CHIMNEYS	3
FLOOR PROTECTION	3
TOOLS & SUPPLIES NEEDED FOR INSTALLATION	3
INSTALLATION PROCEDURE	3
HEATER OPERATION	4
MINIMUM FIRE ADJUSTMENT	5
WOOD STORAGE	5
HEATER AND CHIMNEY MAINTENANCE	6
Disposal of Ashes	6
Chimney Connector and Chimney	6
Heater Maintenance	6
CORRECTION OF OPERATIONAL PROBLEMS	6
FINAL CHECKLIST OF DO'S AND DON'TS	7

IMPORTANT INFORMATION

SAFETY NOTICE: IF THIS HEATER IS NOT PROPERLY INSTALLED, A HOUSE FIRE MAY RESULT. FOR YOUR SAFETY, FOLLOW THE INSTALLATION INSTRUCTIONS. CONTACT LOCAL BUILDING OR FIRE OFFICIALS ABOUT RESTRICTIONS AND INSTALLATION INSPECTION REQUIREMENTS IN YOUR AREA.

To assure that satisfactory and safe service is received from this heater:

1. Read these instructions entirely before beginning any part of the installation.
2. Use these instructions as a guide during the installation of the heater.
3. Be sure these instructions become the property of and are reviewed by all future users of this heater to encourage proper operation and maintenance of this appliance.

This heater is designed to burn wood only and provide heat to one or more rooms. Because of its heat radiating characteristics, this heater must be installed as an unenclosed, freestanding unit with clearances to combustibles as specified by these instructions. This heater must be connected to an Underwriters' Laboratories, Inc. Listed Factory-Built Residential Type And Building Heating Appliance Chimney or a properly constructed and maintained masonry chimney.

DO NOT CONNECT THIS UNIT TO A CHIMNEY FLUE SERVING ANOTHER APPLIANCE.

This heater is not designed to burn coal, liquid fuels, gaseous fuels or household refuse. Any attempt to burn these type fuels, to enclose the heater or to attach the heater to an air circulation system or a stoking device can be very hazardous. **THIS HEATER IS NOT DESIGNED TO BE USED IN A MOBILE HOME.**

HOW THIS HEATER OPERATES

The chimney draft draws in combustion air through an adjustable air inlet located inside the cabinet. Air flows through and across the bed of fuel, causing the fire to progress through the fuel bed. Heat is transferred to the air that flows between the cabinet and the firebox. Any attempt to alter this flow of air by connecting this heater to a duct system or air movement fans other than the optional UL listed blower, available from your King dealer, can lead to improper and possibly hazardous operation of this heater.

BUILDING CODES AND SAFETY STANDARDS

These instructions comply with the applicable National Fire Protection Association and Underwriters' Laboratories, Inc. Standards for the installation and operation of this type heater. Before beginning the installation, you should check with local building officials to assure compliance with local regulations and codes.

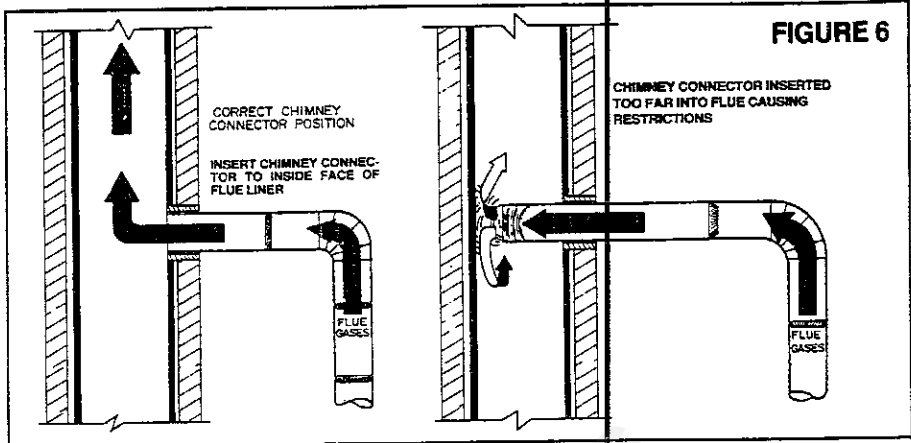
Look for the Underwriters' Laboratories, Inc. listing mark on your heater.

SELECTING A LOCATION FOR THE HEATER

When selecting a location for the heater, be sure attention is given to the following considerations:

1. If the heater is to be vented into a Factory-Built Residential Type And Building Heating Appliance Chimney, review and follow the installation instructions for the chimney to comply with requirements for proper chimney location, height, space requirements, etc.

- Remove the chimney connector pipe or elbow from the heater flue collar and drill three 1/8 inch diameter holes in the chimney connector pipe at the points marked by step 6.
- Apply furnace cement to the inside surfaces of the heater flue collar, reinstall the first chimney connector pipe or elbow and fasten it in place with three No. 8 sheet metal screws. Apply additional furnace cement to the outside of the chimney connector/flue collar joint to ensure an airtight seal.
- Assemble the remaining sections of chimney connector by applying furnace cement to seal each joint, drilling 1/8 inch diameter holes for and attaching each joint with three No. 8 sheet metal screws.
- Remove all excess furnace cement from the outside surface of the chimney connector with a cloth or paper towels and allow the cement to dry for at least 12 hours before building the first fire in the heater.



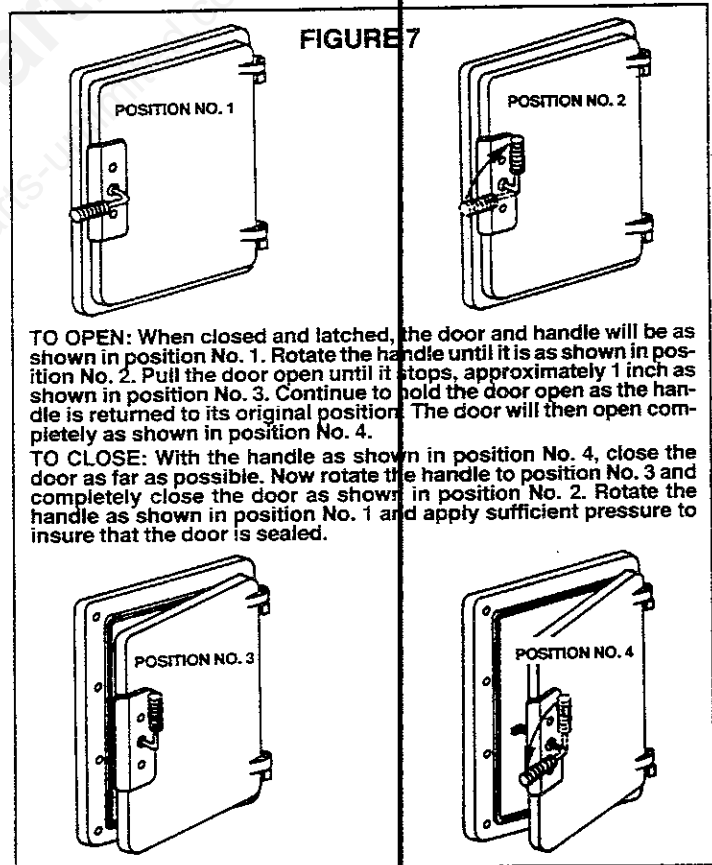
HEATER OPERATION

This heater must be operated as outlined in this manual or a serious fire may occur. THE PAINT ON THE EXTERIOR OF THE FIREBOX WILL GO THROUGH A CURING PROCESS DURING THE FIRST FIRING OF THE HEATER AND WILL EMIT SOME SMOKE AND ODOR. BE PREPARED FOR THIS BY RAISING A WINDOW OR OPENING A DOOR TO PROVIDE VENTILATION.

The first time the heater is fired, the fire should be regulated so as to increase in intensity gradually to allow the paint to cure slowly and the other components to adjust to their expanded size.

To Build a Fire:

- Set the thermostat to the "HI" position.
- Open the feed door (see figure 7) and lay paper and/or kindling on the grate in sufficient quantities to ensure continued ignition.
WARNING: NEVER USE GASOLINE, GASOLINE-TYPE LANTERN FUEL, KEROSENE, CHARCOAL LIGHTER FLUID, OR SIMILAR LIQUIDS TO START OR "FRESHEN UP" A FIRE IN THIS HEATER. KEEP ALL SUCH LIQUIDS WELL AWAY FROM THE HEATER WHILE IT IS IN USE. FAILURE TO COMPLY WITH THIS WARNING COULD CAUSE AN EXPLOSION.
- Light the fire.
- Close the feed door (see figure 7) and the ash door.
- Add larger pieces of wood as the fire gains in intensity. As soon as the fire is established, wood may be added as desired.
CAUTION: OPERATING THE HEATER WITH THE ASH DOOR OR FEED DOOR OPEN CREATES AN ABNORMAL FIRING CONDITION WHICH CAN OVERHEAT THE HEATER, CHIMNEY AND ADJACENT COMBUSTIBLE MATERIALS. THIS CAN DRASTICALLY SHORTEN THE HEATERS LIFE AND VOID THE FACTORY WARRANTY.
- MAKE SURE THAT THE FEED DOOR, ASH DOOR AND CABINET DOOR ARE SECURELY CLOSED.
- Set the thermostat to a point midway between "HI" and "LO". If the house or heating situation requires a higher or lower setting to obtain the desired amount of heat, adjust the thermostat setting appropriately.

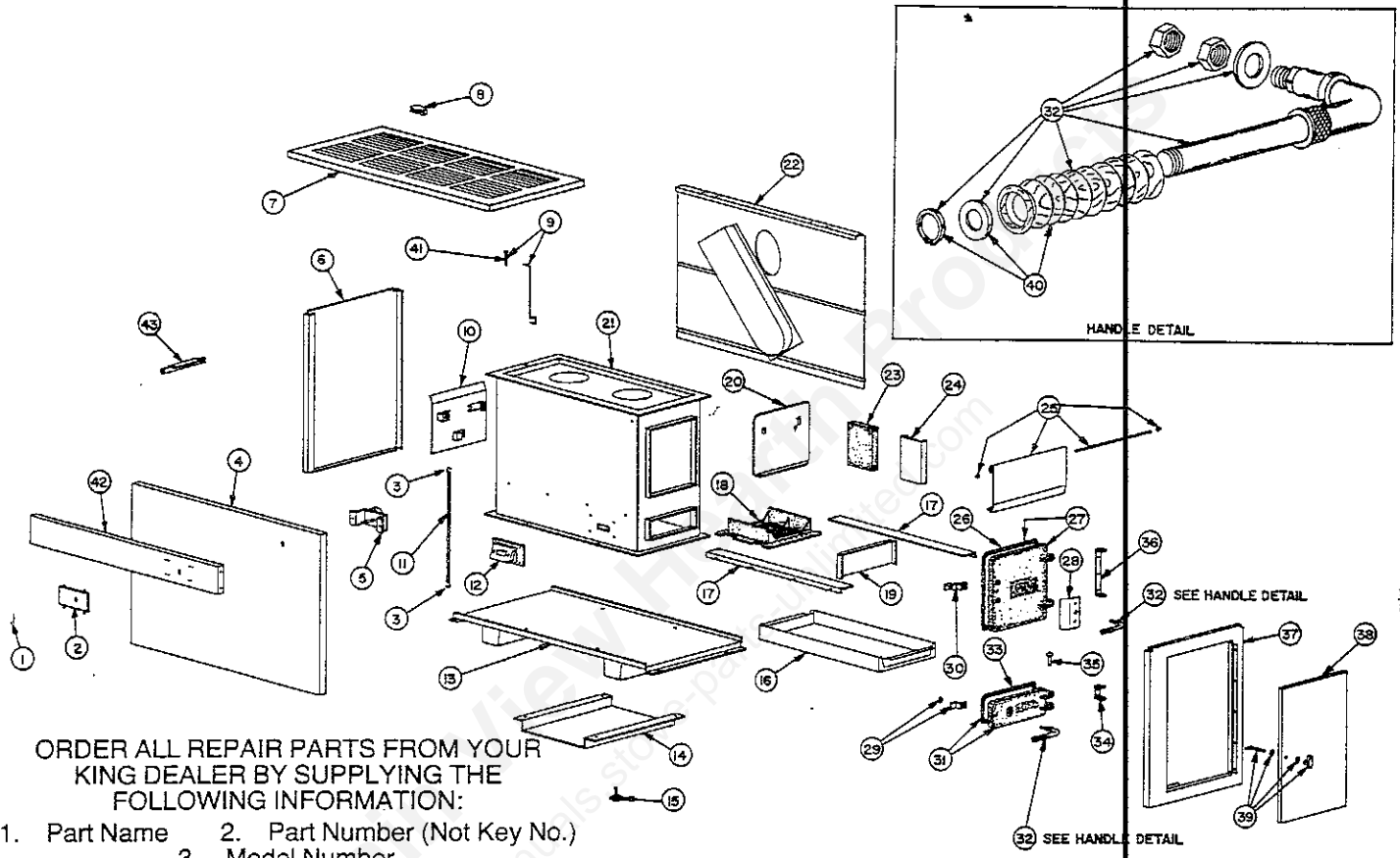


Firetending

Firetending is the occasional poking or stirring of the burning fuel bed to ensure airflow through the fire and adding new wood as needed. With experience, you should determine how often fire tending is required to maintain the desired heat output of the heater. To ensure safe and satisfactory performance of the heater, the following rules should be observed:

- KEEP THE FEED AND ASH DOORS CLOSED EXCEPT WHEN TENDING THE FIRE OR REMOVING ASHES. Operating the heater with the doors open can cause the heater to overheat and will increase the possibility of smoke, ash or sparks escaping the heater and damaging the dwelling or its contents.
- NEVER OPEN THE FEED DOOR WITHOUT FIRST TURNING THE THERMOSTAT TO "HI" FOR AT LEAST 30 SECONDS.
- ADD ONLY SMALL AMOUNTS OF FRESH WOOD TO THE HEATER AT EACH REFUELING. Adding large amounts of fresh wood can cause an accumulation of gases above the fire that can cause backpuffing. Backpuffing can occur when-

6. Don't store ashes in combustible containers, nor store them near combustible materials nor dispose of them until they have completely cooled.
7. Don't use power blowers or air circulation systems with this heater that are not specifically recommended in the manual.
8. Don't neglect to inspect regularly and maintain door gaskets and latching mechanisms to assure the intended tightness of the fire chamber.
9. Don't install the heater or chimney connector at clearances to combustibles less than those recommended in this manual.
10. Don't install the heater where flammable or explosive liquids or vapors are likely to be present.
11. Don't install this heater in a chimney flue that is used by another appliance.
12. Don't neglect to clean and inspect your chimney regularly.
13. Don't operate the heater with its doors open.



ORDER ALL REPAIR PARTS FROM YOUR KING DEALER BY SUPPLYING THE FOLLOWING INFORMATION:

1. Part Name
2. Part Number (Not Key No.)
3. Model Number

KEY NO.	PART NAME	QTY. Per Ill.	PART NUMBER	KEY NO.	PART NAME	QTY. Per Ill.	PART NUMBER
1	Knob, Thermostat	1	004798	23	Brick Ceramic	10	004911
2	Plate, Control	1	015712	24	Extension Liner	2	029126
3	Hook "S"	2	011641	25	Curtain Smoke Kit	1	029207
4	Trim & Screw Ptd Assy.	1	028769	26	Gasket Rope for Feed Door	1	009535-03
5	Thermostat Assy.	1	009006	27	Door Feed & Rope Assy.	1	016070
6	Side Left Cab. Ptd Assy.	1	028765	28	Shield Radiation Kit	1	024819
7	Top Cabinet Assy. Ptd.	1	028754	29	Latch Kit for Ash Door	1	024821
8	Handle Kit for Cab. Top	1	024805	30	Latch for Feed Door	1	014713
9	Rod & Key Kit	1	029205	31	Door Ash & Rope Assy.	1	016069
10	Shield Radiation Kit	1	024964	32	Handle Kit	2	024823
11	Chain (No. 16 Steel Single Jack)	1	013910	33	Gasket Rope for Ash Door	1	009535-04
12	Manifold Draft Kit	1	024966	34	Hinge Kit for Ash Door	1	024962
13	Base Assy. Ptd.	1	028775	35	Pin Door	4	P626
14	Shield Bottom Radiation	1	029041	36	Hinge Kit for Feed Door	1	024907
15	Leveler Heater	4	009041	37	Side Right Cab. Assy. Ptd.	1	028762
16	Pan Ash Assy.	1	006562	38	Door Cabinet Assy.	1	024655
17	Angle Grate Support Kit	2	026346	39	Handle & Latch Kit	1	024818
18	Grate	3	028784	40	Handle Knob Kit	1	024822
19	Liner Front	1	015580	41	Key, Cotter (Fits 3/32 Dia.)	1	*
20	Liner Back Kit	1	024970	42	Panel Top Front	1	029145
21	Unit Inner Assy. Ptd.	1	028778	43	Brace Left & Right Top Ptd.	2	012159
22	Panel Back Assy. Ptd.	1	028757				

* Purchase Locally