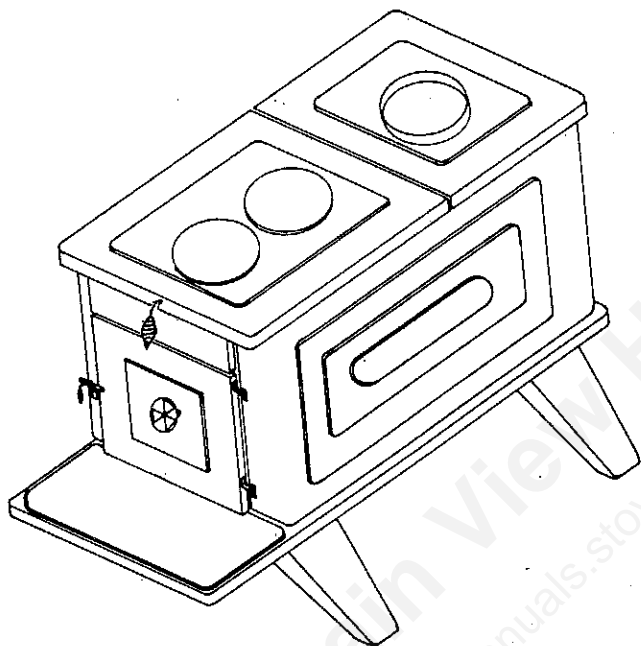


owner's manual

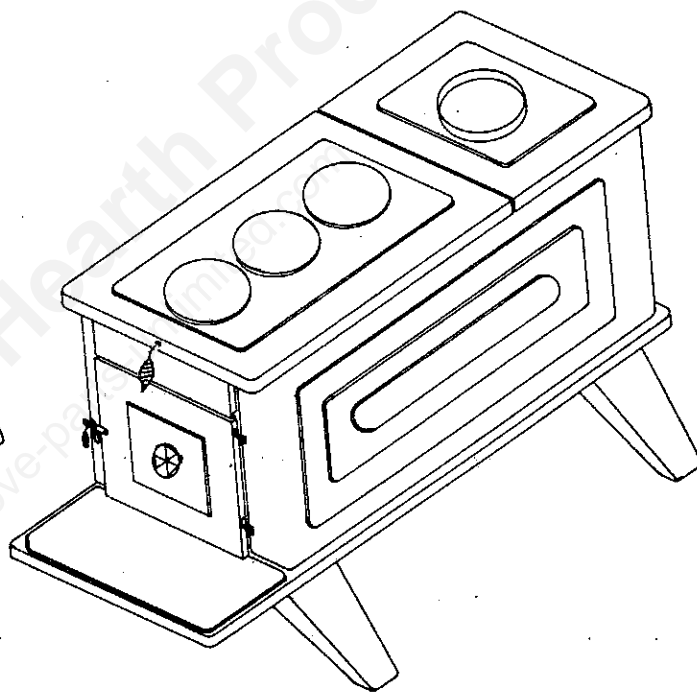
**INSTRUCTIONS FOR INSTALLING AND
OPERATING — WITH REPAIR PARTS LIST**

WOOD BOX HEATER



MODEL NO.

126-S



MODEL NO.

132-S

**THIS MANUAL WILL HELP YOU TO OBTAIN EFFICIENT, DEPENDABLE SERVICE FROM THE HEATER, AND
ENABLE YOU TO ORDER REPAIR PARTS CORRECTLY. KEEP IN A SAFE PLACE FOR FUTURE REFERENCE**

UNITED STATES STOVE COMPANY, SOUTH PITTSBURG, TENNESSEE

FORM 9820-2

INSTALLATION

We suggest you take a few minutes to read the instructions contained in this booklet before installing and using your Heater. This will help you obtain the full benefits of the quality and convenience built into this equipment. It will also help you avoid any needless service expense resulting from causes beyond our control.

RULES FOR SAFE OPERATION

Read the Owner's Manual and the Rules for Safe Operation carefully to insure product satisfaction and to prevent injury.

1. If heater is placed on combustible floor, use a stove board.
2. Maintain 36" clearance between the sides and back of heater from combustible walls and material.
3. Maintain 18" clearance between flue pipe and combustible walls and material.
4. **BE SURE TO PUT LAYER OF SAND OR ASHES TWO INCHES THICK IN BOTTOM OF STOVE BEFORE STARTING FIRE.** This stove is intended for burning wood only and not recommended for coal. Let the first fire be a moderate one. Heat the stove gradually and there will be no danger of any part fire-cracking.

NEVER BUILD EXTREMELY LARGE FIRES IN YOUR HEATER.

INSTALLATION

Carefully uncrate the wood Heater and attach the legs (Key No. 2) to the Heater using bolts and nuts furnished.

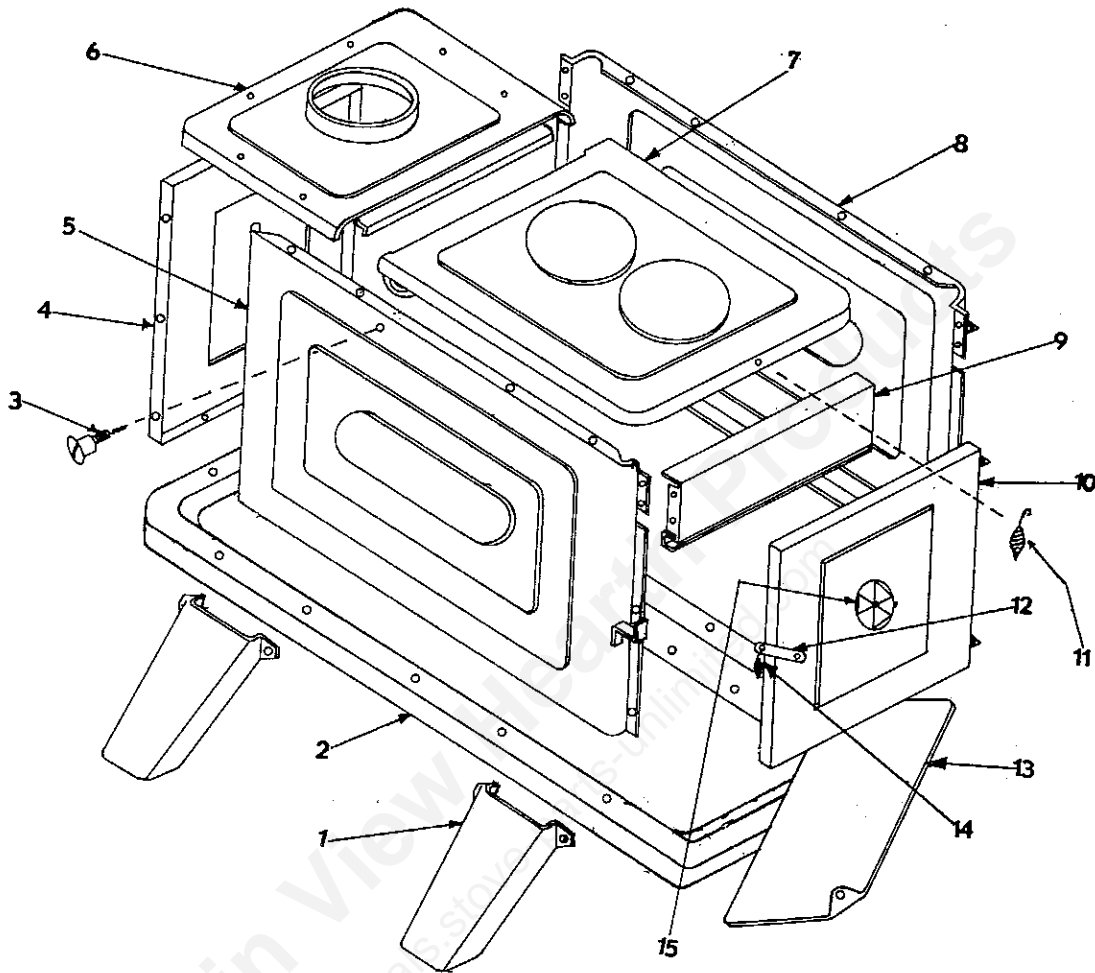
NOTE: The top parts of the Heater are purposely made to fit loosely, to allow plenty of room for expansion and prevent warping and cracking when heated. This space will be taken up as the parts become permanently expanded from the continued heating of regular use.

Set the Heater directly in front of the chimney, if possible, to avoid using more than one 6" elbow. Put a twist damper in the first joint of 6" pipe, which will help to control the fire and save fuel. The stove pipe should rise slightly from elbow all the way to chimney. At no point should it be higher than chimney opening or less than 6" in diameter.

Before putting up the stove pipe, **TEST THE CHIMNEY DRAFT** by placing a ball of crushed paper the size of your stove pipe in the chimney hole and set it on fire; if the draft is strong enough to work with your stove, it will draw the paper ball into and up the chimney after it has been lighted. If it will not do this, the chimney should be examined. Do not expect a stove to draw; it is the chimney that creates the draft.

Complete the installation of the stove pipe using 2 sheet metal screws at each joint to firmly hold pipe together. Be certain the pipe is not inserted into the chimney beyond the inner liner. Serious draft reduction could result. It is suggested that a thimble be used at the chimney to allow easy removal of the stove pipe for cleaning.

PARTS ILLUSTRATION



PARTS LIST

Key No.	Description	PART NUMBER	
		Model 126-S	Model 132-S
1	Legs	1915	1915
2	Main Bottom	1916	1935
3	Shoulder Bolt	9819	9819
4	Main Back	1918	1918
5	Main Side - Left	6667	6671
6	Main Top	1919	1919
7	Top Cover	6663	6669
8	Main Side - Right	6666	6670
9	Main Front	1920	1920
10	Front Door	6665	6665
11	Top Cover Handle	9701	9701
12	Door Latch	1925	1925
13	Ash Cover	6664	6664
14	Door Latch Handle	9701	9701
15	Draft Wheel	4352	4352

owners manual

HOW TO ORDER REPAIR PARTS

THIS MANUAL WILL HELP YOU TO OBTAIN EFFICIENT, DEPENDABLE SERVICE FROM THE HEATER, AND ENABLE YOU TO ORDER REPAIR PARTS CORRECTLY.

KEEP IN A SAFE PLACE FOR FUTURE REFERENCE.

WHEN WRITING, ALWAYS GIVE THE FULL MODEL NUMBER WHICH IS ON THE NAMEPLATE ATTACHED TO THE HEATER.

WHEN ORDERING REPAIR PARTS, ALWAYS GIVE THE FOLLOWING INFORMATION AS SHOWN IN THIS LIST:

1. The PART NUMBER
2. The PART DESCRIPTION
3. The MODEL NUMBER
4. The NAME of ITEM

UNITED STATES STOVE COMPANY • SOUTH PITTSBURG, TENNESSEE