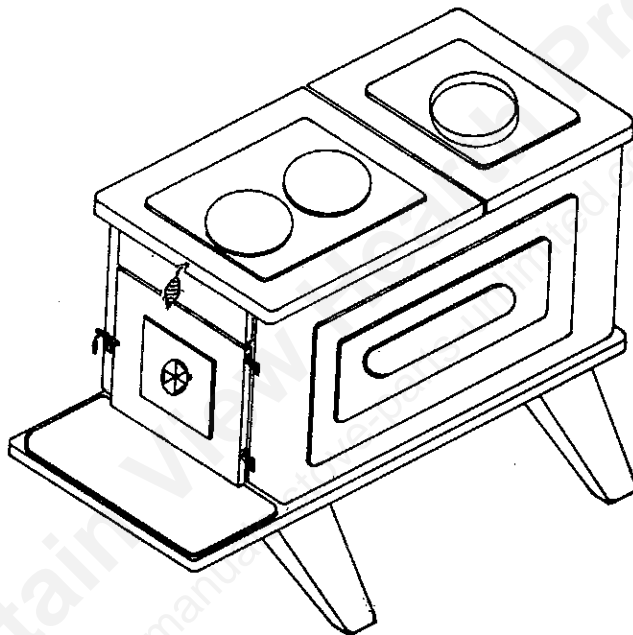


owner's manual

**INSTRUCTIONS FOR INSTALLING AND  
OPERATING – WITH REPAIR PARTS LIST**

# **WOOD BOX HEATER**



**MODEL NO.**

**126-S**

**THIS MANUAL WILL HELP YOU TO OBTAIN EFFICIENT, DEPENDABLE SERVICE FROM THE HEATER, AND  
ENABLE YOU TO ORDER REPAIR PARTS CORRECTLY. KEEP IN A SAFE PLACE FOR FUTURE REFERENCE**

**UNITED STATES STOVE COMPANY, SOUTH PITTSBURG, TENNESSEE**

FORM 85160 12/77

## INSTRUCTIONS

1. Read these instructions carefully. Failure to follow them could cause malfunction of the heater. This could result in death, bodily injury, and/or property damage.
2. Carefully following these instructions will help you obtain the full benefits of this piece of supplemental heating equipment.

## INSTALLATION

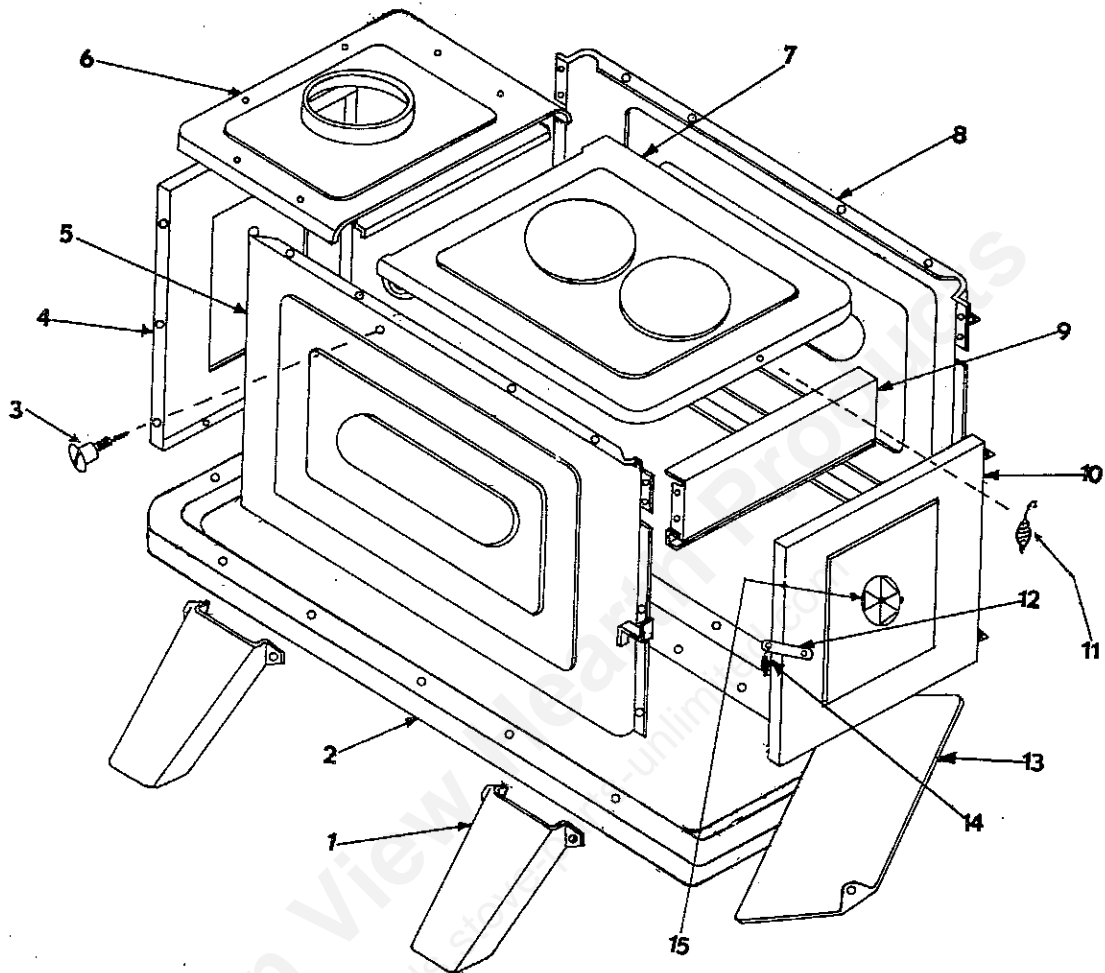
1. Place the heater on a fireproof base of brick patio stone or other fireproof insulating material. The base should extend at least 18" beyond the door side of the heater and should extend under the flue pipe if it is elbowed towards a wall.
2. Unpack the heater and attach the legs using the bolts and nuts that are furnished.
3. Place the heater at least 36" from any combustible wall.
4. Connect the heater using 6" flue pipe to a Class "A" masonry or an ALL-FUEL UL approved chimney.
5. Install 3 sheet metal screws in each stove pipe joint to firmly hold the pipe together.
6. Do not install this heater in a mobile home or a trailer.
7. Check your local building and insurance codes. The installation must comply with their rulings.

## OPERATION OF THE HEATER

1. BE SURE TO PUT A LAYER OF SAND APPROXIMATELY 2" THICK IN THE BOTTOM OF THE STOVE BEFORE STARTING FIRE.
2. Burn wood or wood products only. The wood should be air-dried (seasoned) for at least 6 months prior to use for maximum efficiency.
3. After the fire has been started and is burning satisfactorily, adjust the rate of burning by opening or closing the draft damper wheel on the ash clean-out door.
4. Never build extremely large fires in this type of heater as damage to the heater or smoking may result.
5. Provide air into the room for combustion.
6. Do not touch the heater after firing until it has cooled.

**CAUTION: THIS HEATER WILL BE HOT WHILE IN OPERATION. DO NOT TOUCH. KEEP CHILDREN, CLOTHING, AND FURNITURE AWAY.**

# PARTS ILLUSTRATION



# PARTS LIST

Key No.	Part No. Model 126-S	Description
1	19150	Legs
2	19160	Main Bottom
3	83800	Spacer
4	19180	Main Back
5	66670	Main Side - Left
6	19190	Main Top
7	66630	Top Cover
8	66660	Main Side - Right
9	19200	Main Front
10	66650	Front Door
11	89001	Top Cover Handle
12	19250	Door Latch
13	66640	Ash Cover
14	89001	Door Latch Handle
15	40056	Draft Wheel

# owners manual

## HOW TO ORDER REPAIR PARTS

THIS MANUAL WILL HELP YOU TO OBTAIN EFFICIENT, DEPENDABLE SERVICE FROM THE HEATER, AND ENABLE YOU TO ORDER REPAIR PARTS CORRECTLY.

KEEP IN A SAFE PLACE FOR FUTURE REFERENCE.

WHEN WRITING, ALWAYS GIVE THE FULL MODEL NUMBER WHICH IS ON THE NAMEPLATE ATTACHED TO THE HEATER.

WHEN ORDERING REPAIR PARTS, ALWAYS GIVE THE FOLLOWING INFORMATION AS SHOWN IN THIS LIST:

1. The PART NUMBER
2. The PART DESCRIPTION
3. The MODEL NUMBER
4. The NAME of ITEM.

UNITED STATES STOVE COMPANY • SOUTH PITTSBURG, TENNESSEE