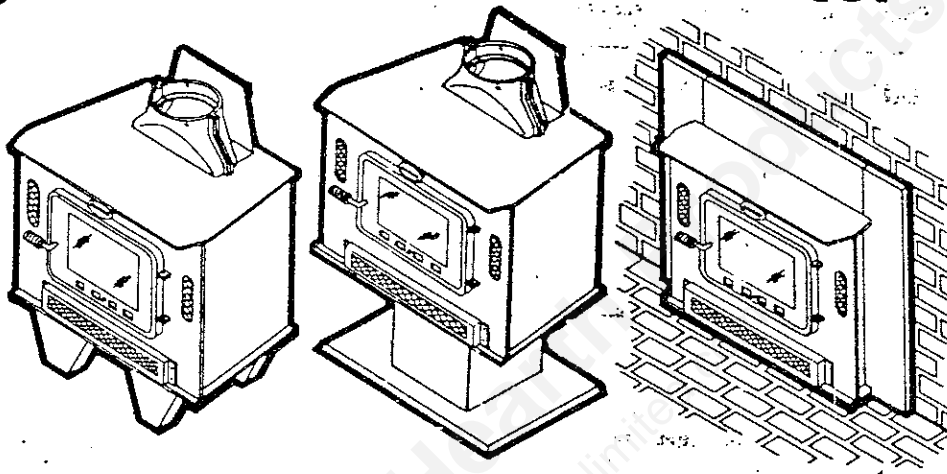


owners manual
Forester Room Heater



Model 4120 / 4121

**FREE STANDING AND
FOR INSTALLATION IN MASONRY FIREPLACES**

CAUTION:
Read All Instructions
Carefully Before Starting
The Installation or
Operating The Heater.

Improper Installation
Could Void Your
Warranty!



SAFETY NOTICE:
If this heater is not properly installed, a house fire
may result. For your safety, follow the
installation instructions. Contact local building or
fire officials about restrictions and installation
inspection requirements in your area.

DO NOT USE THIS HEATER IN A MOBILE HOME OR TRAILER

Save This Manual
For Future Reference.

- Assembly
- Installation
- Operation
- Repair Parts



UNITED STATES STOVE COMPANY

P. O. Box 5349 — 3500 North Hawthorne Street
Chattanooga, Tennessee 37406

Form 85456 11/84

CONGRATULATIONS!

You've purchased one of America's Finest Wood Burning Heaters.
 By heating with wood you're helping CONSERVE AMERICA'S ENERGY!
 Wood is our Renewable Energy Resource. Please do your part to preserve our wood supply.
 Plant at least one tree each year. Future generations will thank you.

tools and materials needed

TOOLS

- Pencil
- 6 Foot Folding Rule or Tape Measure
- Electric Drill (1/4")
- Drill Bit (For Sheet Metal Screws)-1/8" Dia.
- Screw Driver (Blade-Type)
- 3/8" Box, Open End or Small Adjustable Wrench
- Gloves

- 9/16" box, open end or small adjustable wrench
- 5/16" Nut Driver or 5/16" Socket w/Ratchet

MATERIALS - FREE STANDING / PEDESTAL HEATER

- 8" Pipe, 8" Elbow, Collar and Thimble; as required (24 gauge min.)
- Sheet Metal Screws - (No.10A x 1/2")
- 8" Inside diameter Underwriters Laboratories (U.L.) Listed Residential Solid Fuel Factory-Built Trifewall Chimney or existing masonry chimney.
- Furnace Cement (Manufacturer Recommends: Rutland Black Code 78 or equivalent).

- ### MATERIALS-FREESTANDING / PEDESTAL & INSERT
- Floor Protector as specified on Page 4 or Page 7 of this manual.

Forester 4120/4121 Free Standing Room Heater Dimensions

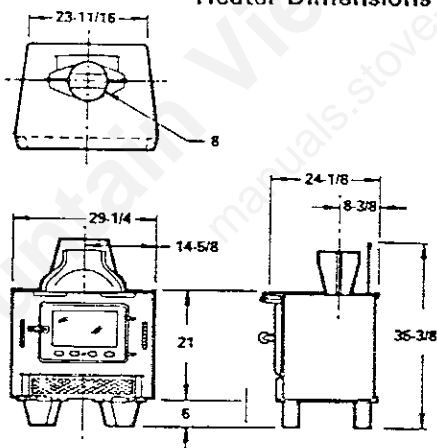


FIG. 1

4120/4121 (42CK)

Forester 4120/4121 Pedestal Room Heater Dimensions

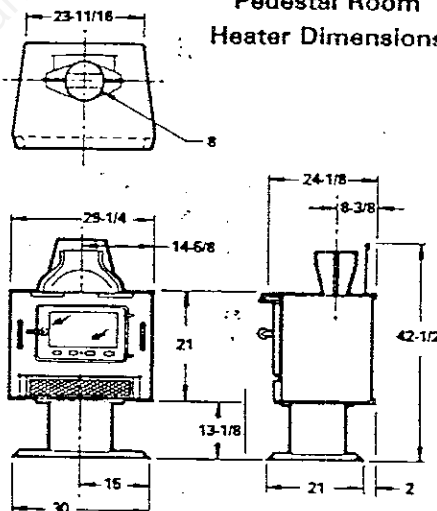


FIG. 1 A

4120/4121 (42PK)

rules for safe installation and operation

Read these rules and instructions carefully.

SAFETY NOTICE: If this heater is not properly installed, a house fire may result. For your safety, follow the installation instructions. Contact local building or fire officials about restrictions and installation inspection requirements in your area

1. Check your local building and fire codes. This installation must comply with their rulings.
2. Install the Fireplace Insert in a masonry fireplace only with a masonry chimney that is constructed in accordance to NFPA 211..
DO NOT install the Fireplace Insert in a factory-built metal fireplace (Zero Clearance).
DO NOT install this heater in a mobile home or trailer.
DO NOT connect a wood burning heater to an aluminum Type B gas vent. This is not safe and is prohibited by the National Fire Protection Association Code.
3. Always connect this heater to a chimney and vent to the outside. Never vent to another room or inside a building.
4. The freestanding room heater requires a masonry or a UL Listed Residential Type and Building Heating Appliance Chimney.
5. Be sure the masonry fireplace is clean and in a safe condition. Have the chimney inspected by the fire department or a qualified inspector. Your insurance company may be able to recommend a qualified inspector.
6. Make sure the masonry chimney is high enough to give a good draft.
7. Inspect the chimney twice monthly during the heating season for any deposit of creosote or soot. Such deposits must be removed. See CHIMNEY MAINTENANCE, Page 12.
8. DO NOT BE ALARMED IF HEATER SMOKES UPON INITIAL FIRING. The special paint used on this heater must be cured during initial firing. This smoking will occur only on initial firing.
9. CAST IRON PARTS MUST BE "SEASONED" TO AVOID CRACKING. BUILD ONLY SMALL FIRES DURING THE FIRST FEW DAYS OF USE.
10. To prevent injury, do not allow anyone to use this heater who is unfamiliar with the correct operation of the heater.
11. For additional information on using your Room Heater safely, obtain a copy of the National Fire Protection Association (NFPA) publication "Using Coal and Wood Stove Safely" NFPA No. HS-10-1978; and, "Chimneys, Fireplaces, and Solid Fuel Burning Appliances" NFPA No. 211-1980. The address of NFPA is Batterymarch Park, Quincy, MA 02269.
12. DISPOSAL OF ASHES - Ashes should be placed in a metal container with a tight fitting lid. The closed container of ashes should be placed on a noncombustible floor or on the ground, well away from all combustible materials, pending final disposal. If the ashes are disposed of by burial in soil or otherwise locally dispersed, they should be retained in the closed container until all cinders have thoroughly cooled.
13. Observe clearances to combustible materials specified in this manual to avoid a fire hazard.
14. The metals used in construction of the heater has a light coating of oil. This could give off smoke and/or odors when heater is used for the first couple of times. This should disappear after a short period of time. Once this burn-off has occurred, it should not reoccur. CARING FOR PAINTED PARTS — This heater has a painted outside jacket, which is durable but it will not stand rough handling or abuse. When installing your heater, use care in handling. Clean with soap and warm water when heater is not hot. DO NOT use any acids or scouring soap, as these wear and dull the finish. PAINT DISCOLORATION WILL OCCUR IF THE HEATER IS OVERFIRED. FOLLOW OPERATING INSTRUCTIONS CAREFULLY.
15. The firebox walls in this heater may become slightly distorted over a period use. The slight distortion does not affect the operation of the unit.

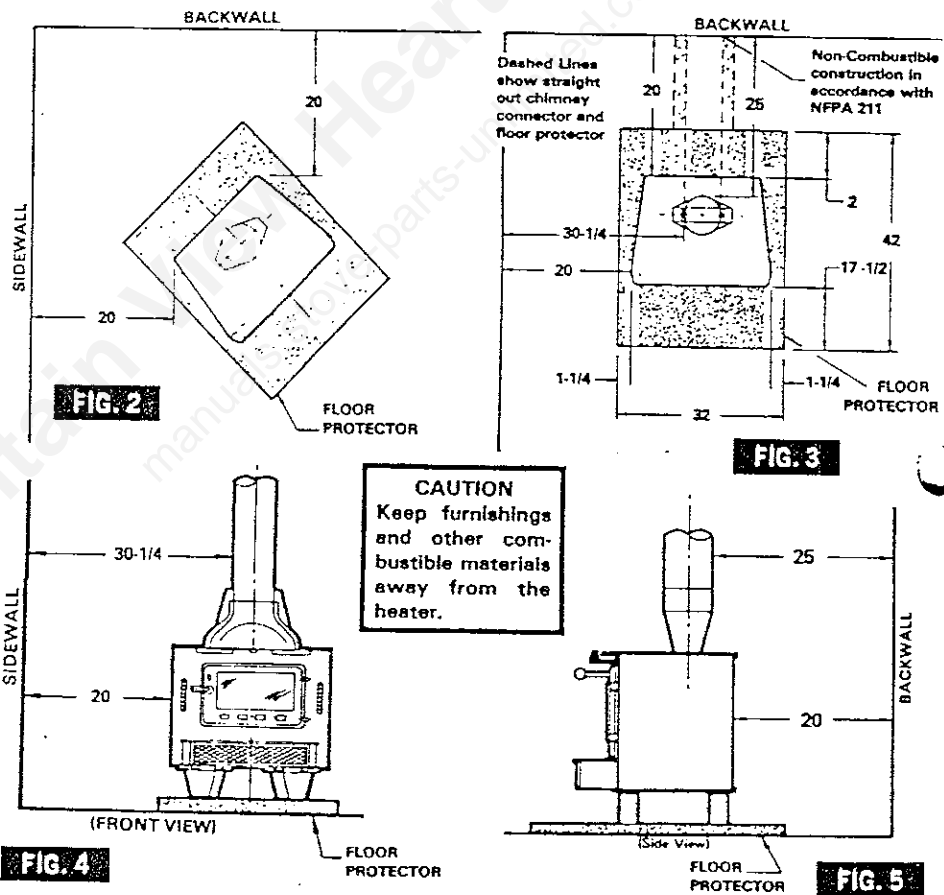
CAUTION: Do not touch the metal or glass surfaces of the heater until it has thoroughly cooled.

Locating The Free Standing Forester 4120 / 4121 Room Heater

AS A LOCATION IS SELECTED, KEEP THE FOLLOWING IN MIND:

1. Keep the chimney connection as short as possible. The heater must have its own chimney flue. Do not connect any other appliance to the same flue.
If there is no chimney near where you wish to place the heater, you can use a UL Listed Residential Solid Fuel Factory-Built Chimney (Fig. 10).
2. Place the heater on solid masonry or solid concrete. When the heater is used on a combustible floor, use a non-combustible floor protector of 3/8" thick millboard having a thermal conductivity of $K = 0.84 \text{ BTU in./Ft.}^2$ hr. deg. F. with 28-gauge sheet metal or a UL listed floor protector. Have the floor protector extend 17-1/2" in front of the hearth extension, 1-1/4" to each side, 2" to the rear; underneath and 2" to each side of the chimney connector. (SEE FIG. 3).
3. Check Figures 2, 3, 4 & 5. You should have at least the clearances shown from the heater and the connector pipe to combustible surfaces. If you have a solid brick or stone wall behind your heater, you can place the heater as close as you wish to the wall. If the wall is only faced with brick or stone, treat it as a combustible wall.

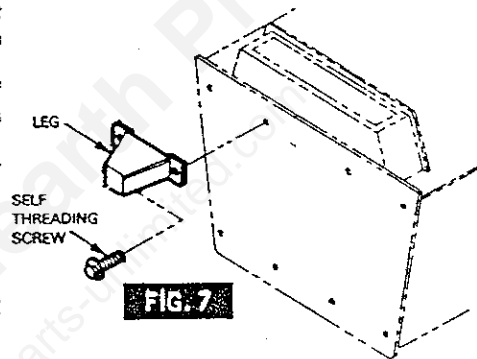
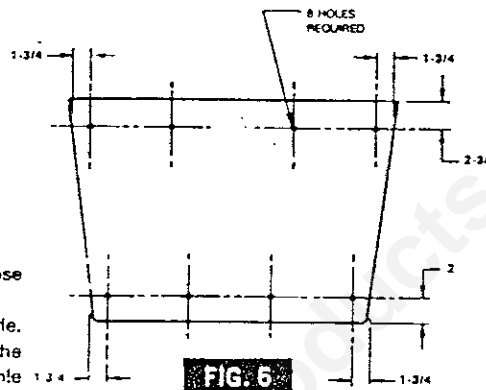
MINIMUM CLEARANCE TO COMBUSTIBLE WALLS



Assembly Instructions for Forester 4120/4121 Free Standing Room Heater

LEG INSTALLATION

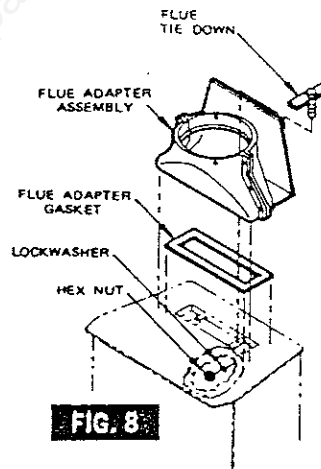
1. Make sure the door, firebrick, and/or other loose objects are removed from the firebox.
2. Rotate the heater backwards onto the back side.
3. Position the leg assembly on the bottom of the heater as shown in Fig. 6. Mark the hole locations using the leg assembly holes as locators. Using an electric drill and the drill bit (7/32" dia.) provided, drill (8) holes in the bottom of the cabinet in the locations shown in Fig. 6.
4. Mount the four legs (leg covers towards front of heater) using the (8) 1/4-20 self-threading screws provided, with an adjustable or 3/8" wrench.
5. Rotate heater upright on legs and place heater in desired location.
6. Install firebrick as shown in Fig. 23.



FLUE ADAPTER INSTALLATION

1. Place flue gasket on flue adapter and install assembly into flue (Fig. 8).
2. Install flue tie down bars so that the ends rest on the inside shoulders of the flue adapter. The bolts welded to the bars should go through the holes provided in the brackets welded to the inside of the flue.
3. Secure assembly with 3/8-16 nuts and lockwashers provided.
4. Hold tie down bars in place and tighten nuts with an adjustable or 9/16" wrench.
5. Install door.

NOTE: The Handle fits horizontally when the door is closed on the unit as shown in Fig. 4.



NOTE

During opening and closing of the door of this heater, it may seem that the fit of the door is "too tight." As the heater is fired, the gasketing "settles" or "seats" itself in the door. The tight fit at the factory and before the heater's initial firing is to insure a good seal after the gasketing "settles."

chimney connection

MASONRY CHIMNEY

Before using an existing masonry chimney, clean the chimney and inspect the flue liner to be sure it is safe to use. Make repairs before attaching the heater. (SEE P. 3, item 5).

Look at Fig. 9. The connector pipe and fittings you will need to connect directly to a masonry chimney are shown.

DO NOT connect this unit to a chimney flue serving another appliance.

The chimney used for a heater must not be used to ventilate the cellar or basement. If there is a cleanout opening at the base of the chimney, close it tightly. If connector pipe must go through a combustible wall before entering the masonry chimney, consult a qualified mason or chimney dealer. The installation must conform to local fire codes, and NFPA 211.

UL LISTED CHIMNEY

Carefully follow chimney manufacturer's instructions. Use only a UL Listed Residential Type and Building Heating Appliance Factory-Built Chimney.

If your chimney starts at the ceiling (Fig. 10), you will need enough pipe to reach the ceiling.

The top of the chimney must be at least 3 feet above the roof and be at least 2 feet higher than any point of the roof within 10 feet (Fig. 10).

RULES FOR STOVEPIPE INSTALLATION

1. The crimped end of the connector pipe fits inside the heater flue collar. Install additional pipe and elbow with the CRIMPED END TOWARD THE HEATER. This will allow any condensation in the flue to run back into the heater.
2. Slope any horizontal pipe upward toward the chimney at least $\frac{1}{4}$ inch for each foot of horizontal run.
3. You must have at least 19 inches of clearance between any horizontal piping and the ceiling.
4. The pipe cannot extend into the chimney flue (Fig. 11).
5. Seal each connector pipe joint with furnace cement. Also seal the pipe at the chimney.
6. Use 3 sheet metal screws at each joint to make the piping rigid.
7. Do not put a damper in a connector pipe.
8. It is recommended that no more than two 90° bends be used in the stovepipe installation as more than two may decrease the amount of draw and possibly cause smoke spillage.

BAROMETRIC DRAFT REGULATOR (OPTIONAL)

In some installations, it may be desirable to install a barometric draft regulator in the chimney connector. A barometric draft regulator should be located in the same room (pressure zone) as the heater. When installing a barometric draft regulator, follow the barometric draft regulator manufacturer's instructions.

FLUE CONNECTION—NON-COMBUSTIBLE WALL

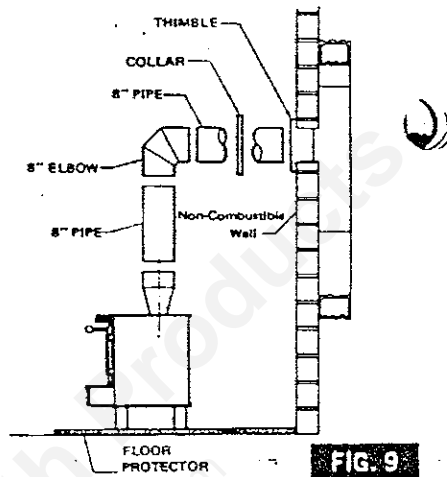


FIG. 9

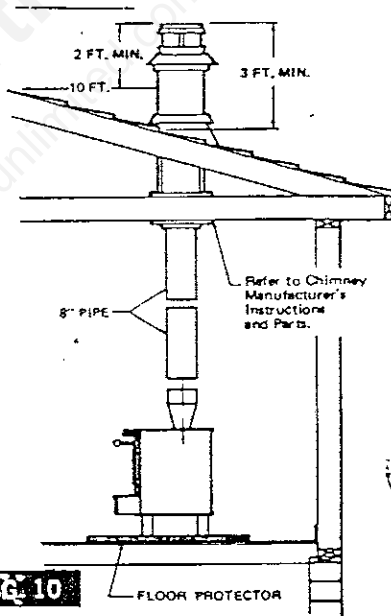


FIG. 10

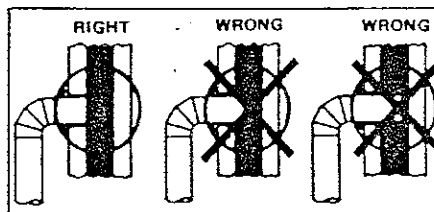


FIG. 11

**Forester
4120/4121
Fireplace Insert
Dimensions**

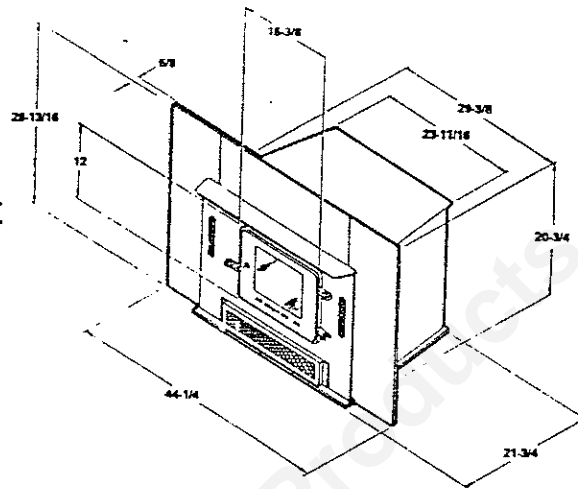


FIG. 12

Minimum Clearances To Combustible Surfaces

The clearances shown in Fig. 13 below must be maintained between the edge of the Fireplace Insert and decorative wooden mantels or mantel supports. If the wood trim or mantel of your fireplace is closer to the insert than these dimensions, they must be moved to at least the dimensions shown. Failure to observe these clearances could result in ignition of the mantel or wood trim.

The brick or stone hearth extension of your fireplace must extend a minimum of 16" in front

of the Fireplace Insert. Clearance to any combustible wall must be a minimum of 22" as shown in Fig. 13.

CAUTION
KEEP FURNISHINGS AND OTHER
COMBUSTIBLE MATERIALS
AWAY FROM THE FIREPLACE
INSERT.

IMPORTANT: (Fig. 14)

The distance from the fireplace front surface to the front edge of the insert top must be within the dimensions shown. Make sure the flue opening on the fireplace insert completely clears the lintel of the fireplace. This will insure a proper draft.

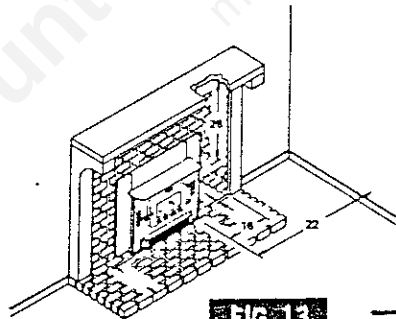


FIG. 13

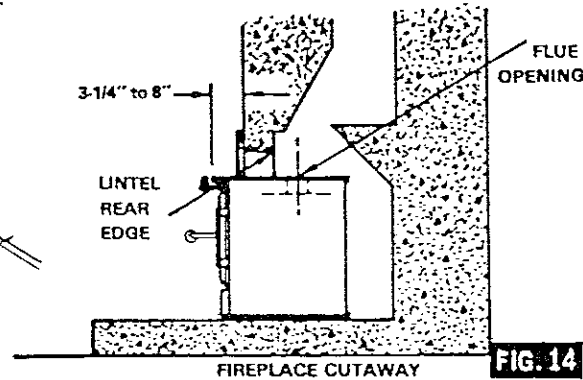


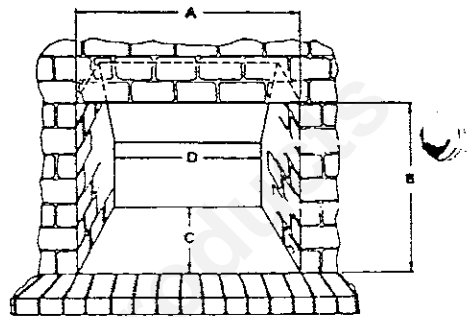
FIG. 14

locating the Fireplace Insert

The Fireplace Insert is to be located in an existing solid masonry fireplace. This fireplace should be constructed per NFPA 211. DO NOT INSTALL THIS FIREPLACE HEATER IN A FACTORY-BUILT METAL OR ZERO CLEARANCE FIREPLACE.

The fireplace must have a masonry chimney with an approved flue tile liner. Inspect the chimney carefully to be sure that it is clean and that the tile and masonry is in a safe condition.

Measure the fireplace width, height and depth as shown in the following Table. The fireplace opening dimensions must fall within the dimensions shown in this Table for proper and safe installation.



Fireplace Opening Dimensions

FIG. 15

FIREPLACE OPENING DIMENSIONS	4120/4121 FIREPLACE INSERT	
	MORE THAN	LESS THAN
A	29 1/2"	41 1/2"
B	21"	27 1/2"
C	16"	
D	24"	

installation instructions

- DAMPER** - The damper in the masonry fireplace must be removed or blocked open. The handle for the damper should be completely removed so that it cannot accidentally cause the damper to close when the Fireplace Insert is installed.
- LEVELING** - The Fireplace Insert must be level when it is installed to assure a uniform burn and to facilitate a proper fit of the trim to the front of the masonry fireplace. In addition to being level, the Fireplace Insert should be flush with the hearth extension so that the Fireplace Insert can easily slide into or out of the fireplace opening. A method is shown below for making the Fireplace Insert level and flush with the hearth extension:

LEVELING METHOD - If the bottom of your present fireplace is uneven or is lower than the hearth extension, it may be filled with ready mixed concrete. By mixing the concrete a little on the wet side, it will flow and be virtually self leveling.

U. S. Stove also offers a leveler roller kit for use with this Fireplace Insert (Kit No. 42LV See Page 17).

If you have an ash cleanout door, it should be lifted enough to sit flush with the new fireplace hearth.

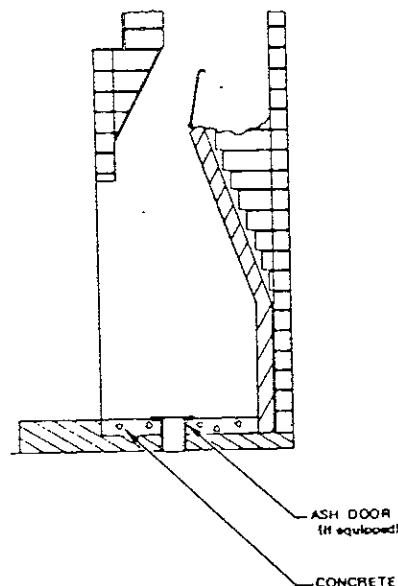


FIG. 15

assembly instructions

After the fireplace hearth has been leveled, the Fireplace Insert should be slid into position. Carefully check to see that the flue opening in the Fireplace Insert is unobstructed and that the smoke leaving the Insert can rise directly into the fireplace chimney. (See Fig. 14)

The cast iron Fireplace Insert door may be removed by lifting it off the hinges. Next remove the firebrick, air manifold and/or other loose objects. This will help reduce the weight of the Fireplace Insert, making it easier to slide in and out.

TRIM ASSEMBLY

1. Slide the Fireplace Insert into the fireplace to the depth desired within the limits of installation. (See Fig. 14).
2. Place trim panels on the insert taking care to insure panels fit flat with the face of the fireplace. The panels should be aligned with one another to prevent gaps between the panels.
3. Mark the insert at the upper and the lower edge of the trim panels with a pencil.
4. Remove trim panels and slide the insert out of fireplace about 12 inches.
5. Replace each panel to the location marked.
6. Using an electric drill and the 7/32" dia. drill bit provided, drill through bracket mounting hole (slot) through the cabinet of the insert.

CAUTION: DO NOT DRILL THROUGH THE FIREBOX OTHERWISE SMOKE AND COMBUSTIBLE GASES WILL LEAK INTO THE ROOM WHEN THE FIRE IS BUILT IN THE INSERT.

7. Mount the trim panels using a 3/8" or adjustable wrench and the (6) 1/4-20 self threading screws provided. (Fig. 17).

OPTIONAL

Using furnace cement, carefully run a bead of cement around the backside of the trim to seal all air leaks. (Fig. 19).

GASKET INSTALLATION

The adhesive backed gasket attaches to the back side of the trim that you've just installed. This gasket will seal against the brick front of your fireplace (Fig. 18).

1. Measure and cut the gasket material into three pieces. The two side pieces are 30 1/2" long. The top gasket is cut according to length required.
2. Carefully remove the backing from the top gasket and install it across the full width of the top trim.
3. Remove the backing from each side trim gasket and install them starting from the bottom and working up.
4. Slide the Fireplace Insert back into your fireplace until the gasket seals securely against the fireplace front.

NOTE: If your fireplace front is irregular preventing the gasket from completely sealing, please order additional gasket material. (U. S. Stove Gasket Part No. 88055) It is important that the fireplace trim seal against the front of your fireplace to obtain proper draft and drawing in the chimney and to prevent heat loss when the Fireplace Insert is not in operation.

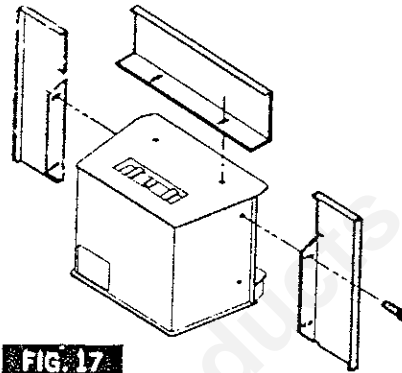


FIG. 17

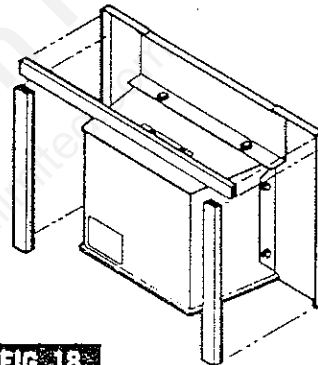


FIG. 18

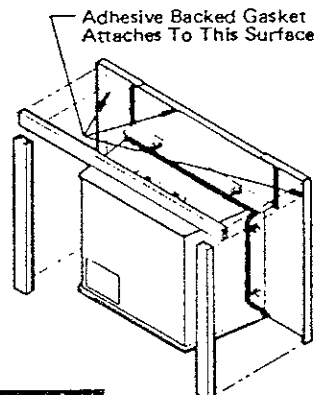


FIG. 19 (OPTIONAL)

Operating Instructions and "Tips"

I. GENERAL

WOOD FUEL

When possible, use hardwood that has been split and air-dried for at least six months to obtain maximum burning efficiency.

CAUTION

When burning wood, Do Not elevate fire; build fire directly on hearth.

LIGHTING INSTRUCTIONS FOR STARTING FIRE:

1. Open the air inlet shutter on the door (See Fig. 20).
2. Open the flue outlet damper fully. This can be done by pushing the damper arm all the way to the back of the heater. The damper handle is in front of the heater, just above the door.
3. Open door and place paper and kindling (small pieces of wood) directly on hearth.
4. Light the fire and close the door until the kindling has caught fire and is burning vigorously.
5. Open the door and add split firewood as desired.
6. Burn heater with the flue outlet damper and air inlet shutter fully open for the first 30 to 45 minutes of operation. This high fire mode heats the chimney and helps burn up the major portion of creosote forming compounds, thus helping to reduce the amount of creosote collecting in the chimney.

CONTINUOUS/EXTENDED OPERATION:

1. The temperature in the room and the rate at which wood is burned can be controlled by adjustment of the air inlet shutter (Fig. 20) and the flue outlet damper. Close the air inlet shutter and/or the flue outlet damper partially or fully to reduce the rate of burn and temperature in the room. Open the air inlet shutter and/or the flue outlet damper to the

fully open position to obtain maximum rate of burn and room temperature.

BURNING OPERATION MODES:

- A. **High Fire Mode:** For maximum amount of heat output, operate heater with the flue outlet damper in the half open/half closed position and the air inlet shutter in the fully open position. This operating mode produces the least amount of creosote.
 - B. **Medium Fire Mode:** The flue outlet damper and the air inlet shutter may be operated in any position between the high and low fire modes. i.e. — flue outlet damper in the closed position with air inlet shutter fully opened, or flue outlet damper in the half open/half closed position with the air inlet shutter half open/half closed.
 - C. **Low Fire Mode:** For the minimum amount of heat output, operate heater with flue outlet damper and air inlet shutter in the fully closed positions. This will result in large amounts of creosote being deposited in the chimney. The advantage to the low fire mode is that the unit will hold a fire for a longer period of time. In "marginal" chimneys (old and/or leaky), it may be necessary to leave the air shutter and flue outlet damper fully open to maintain a good draft and fire.
2. Always open the flue outlet damper and the air shutter fully before opening the door. This will improve the chimney draft and reduce the possibility of small amounts of smoke coming into the room when the door is opened.
 3. To help keep formation of creosote down to a minimum, burn smaller amounts of wood on the high fire mode. Additional fuel should then be added in small amounts so as to give a more complete combustion and/or burning rate and a uniform room temperature.

(CONTINUED NEXT PAGE)

Operating Instructions and "Tips" (Continued)

ONLY BY USING YOUR HEATER AND EXPERIMENTING WITH THE MANY DIFFERENT SETTINGS, CAN YOU ACTUALLY ARRIVE AT AN OPERATING MODE THAT BEST SUITS YOUR HEATING REQUIREMENTS AND NEEDS.

BASIC OPERATING INSTRUCTIONS WHEN BURNING WOOD:

1. Empty the ashes regularly. DO NOT allow ashes to build up. Dispose of hot ashes properly (See Note 12, Page 3).
2. Please keep hearth area clean and free from small debris such as bark, etc. The fan on this unit could possibly pull these particles into the chamber surrounding the firebox! These particles could ignite and be blown out the hot air outlets creating a fire hazard.

II. Freestanding Room Heater

When used as a freestanding room heater, DO NOT operate this heater with the door open.

III. Fireplace Insert

The fireplace insert may be used with the door completely open or completely closed. When the door is open, place a firescreen over the opening in the front of the insert. The firescreen should cover the entire front opening of the insert. Have the door fully open or fully closed. DO NOT use the insert with the door partially open.

WARNING

Fireplace inserts equipped with a door should be operated only with the doors fully open or the door fully closed. If the door is left partly open, gases and flames may be drawn out of the fireplace insert front opening, creating risks and hazards from both fire and smoke.

CAUTION

Never use gasoline, gasoline-type lantern fuel, kerosene, charcoal lighter fluid, or similar liquids to start or "freshen up" a fire in this heater. Keep all such liquids well away from the heater while it is in use.

CAUTION

OVERFIRING OF THE HEATER MAY CAUSE A HOUSE FIRE. IF A UNIT OR CHIMNEY CONNECTOR GLOWS, YOU ARE OVERFIRING.

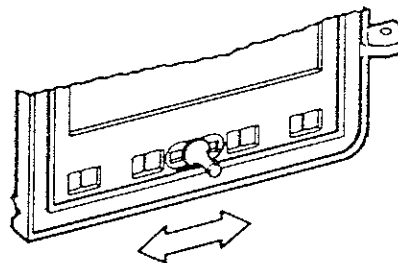


FIG. 20

ADJUSTING THE AIR SHUTTER

chimney maintenance

Creosote — Formation and Need for Removal

When wood is burned slowly, it produces tar and other organic vapors, which combine with expelled moisture to form creosote. The creosote vapors condense in the relatively cool chimney flue of a slow-burning fire. As a result, creosote residue accumulates on the flue lining. When ignited this creosote makes an extremely hot fire.

The chimney should be inspected at least twice monthly during the heating season to determine if a creosote build up has occurred.

If creosote has accumulated it should be removed. Failure to remove creosote may cause a house fire, creosote may be removed by using a chimney brush or other commonly available materials.

Chimney fires burn very hot. If the chimney catches fire, immediately call the fire department, then reduce the fire by closing the inlet air control. Pour a large quantity of coarse salt, baking soda or cool ashes on top of the fire in the firebox.

CAUTION:

A chimney fire may cause ignition of wall studs or rafters which you thought were a safe distance from the chimney. If you have a chimney fire, have your chimney inspected by a qualified person before using again.

NOTE

A draft reading of .05 to .06 w.c. is suggested for proper burning of this unit when using wood fuel.

service hints

Do not expect a heater to draw. It is the chimney that creates the draft. Smoke spillage into the house or excessive build up of water or creosote in the chimney are warnings that the chimney is not functioning properly. Correct the problem before using the heater.

Possible causes are:

1. The chimney used for this heater must not be used for any other appliance.
2. The chimney used for this heater must not be used to ventilate cellar or basement.
3. If there is a cleanout door at the base of the fireplace chimney, close it tightly.
4. If the chimney is remaining too cool, water will condense in the chimney and run back into the fireplace. Creosote formation will be rapid and may block the chimney. Operate the heater at a high enough fire to keep the chimney warm preventing condensation.
5. If the chimney does not seem to draw or if smoke spills into the house from around the

trim, be sure that the trim gasket is sealing tightly against the fireplace front.

6. If the fire burns well but sometimes smokes or burns slowly, it may be caused by the chimney top being lower than another part of the house or a nearby tree. The wind blowing over a house or tree falls on top of the chimney like water over a dam, beating down the smoke. The top of the chimney should be at least feet higher than any point of the roof within 10 feet. (Fig. 10)

Glass Cleaning - To clean the glass in your heater, wait until it has cooled. Spray the glass lightly with a mild oven cleaner. Follow instructions of the cleaner manufacturer.

Caring For Painted Parts - The paint baked onto the steel or iron is very durable but it will not stand rough handling or abuse. When installing your heater, use care in handling. Clean with soap and warm water when heater is not hot. DO NOT use any acids or scouring soap as these wear and dull the finish. PAINT DISCOLORATION WILL OCCUR IF THE HEATER IS OVERFIRED. FOLLOW OPERATING INSTRUCTIONS CAREFULLY.

Door Handle Installation Instructions

Assemble door handle as shown in Fig. 21. Slide handle into hole at the top of door. Add (2) washers and latch (making sure handle (A) is horizontal — 9 o'clock position, latch (B) will be 30° off of vertical centerline of hole — 11 o'clock position; bent part of latch will be on the left when looking at heater from front). Next, add (1) 7/16"-20 nut (C) onto threaded shaft of handle and tighten.

NOTE: THE HANDLE IS TO FIT HORIZONTALLY WHEN THE DOOR IS CLOSED ON UNIT AS SHOWN IN FIG. 4, Page 4.

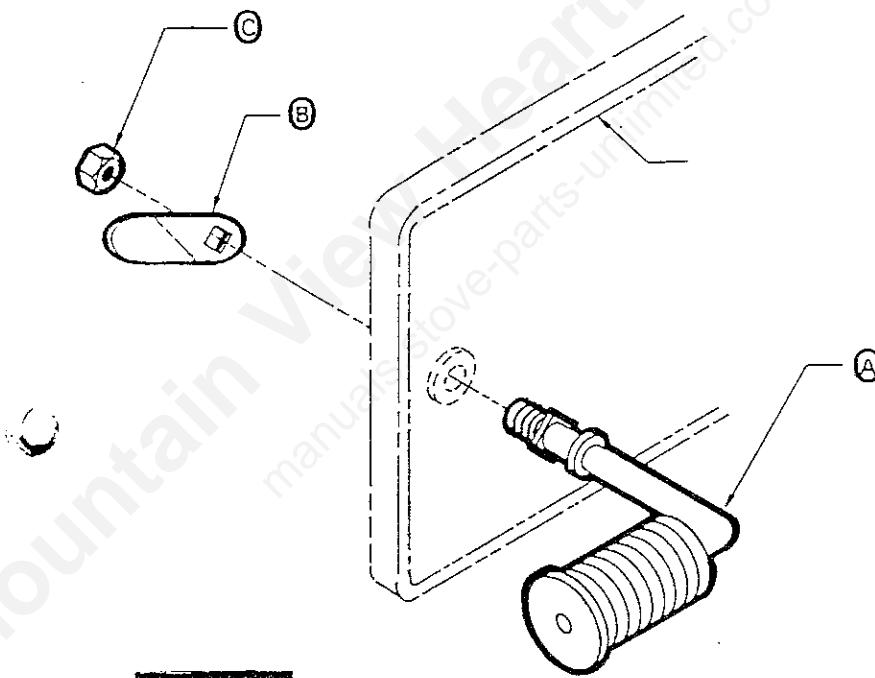
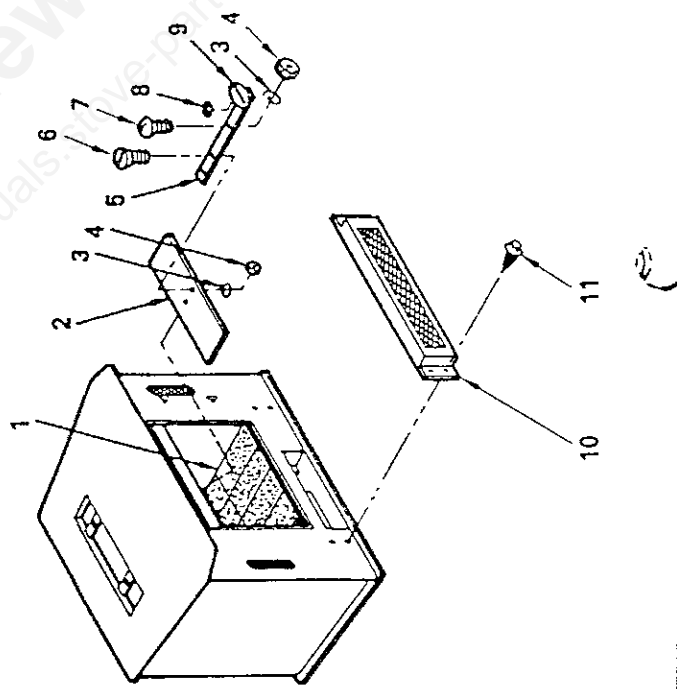


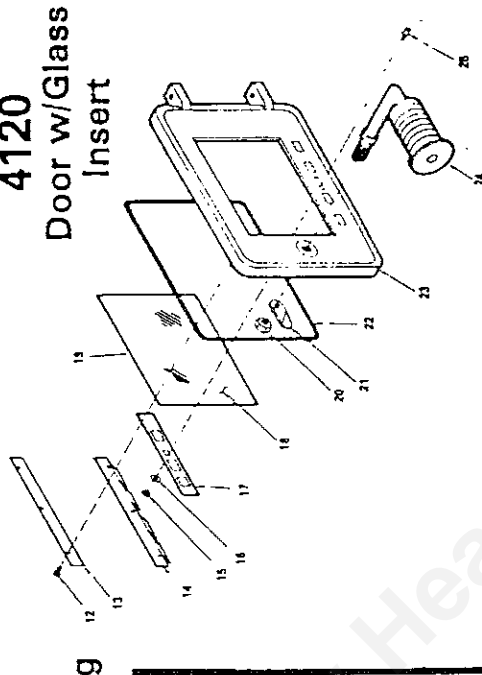
FIG. 21

repair parts

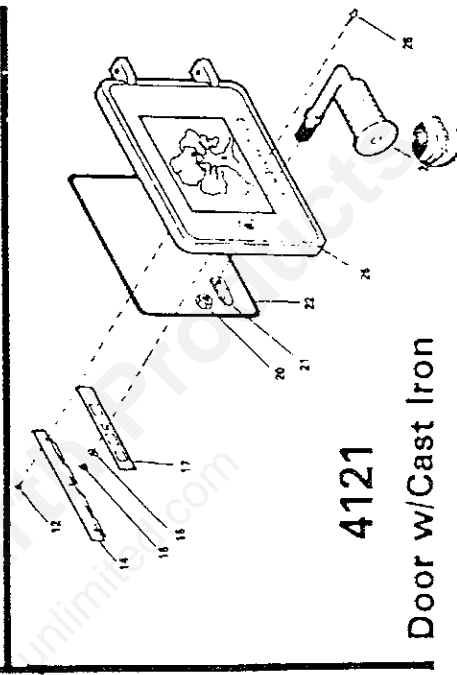
Forester 4120/4121 Insert and Freestanding



4120 Door w/Glass Insert



4121 Door w/Cast Iron



repair parts
MODEL NUMBER 4120/4121



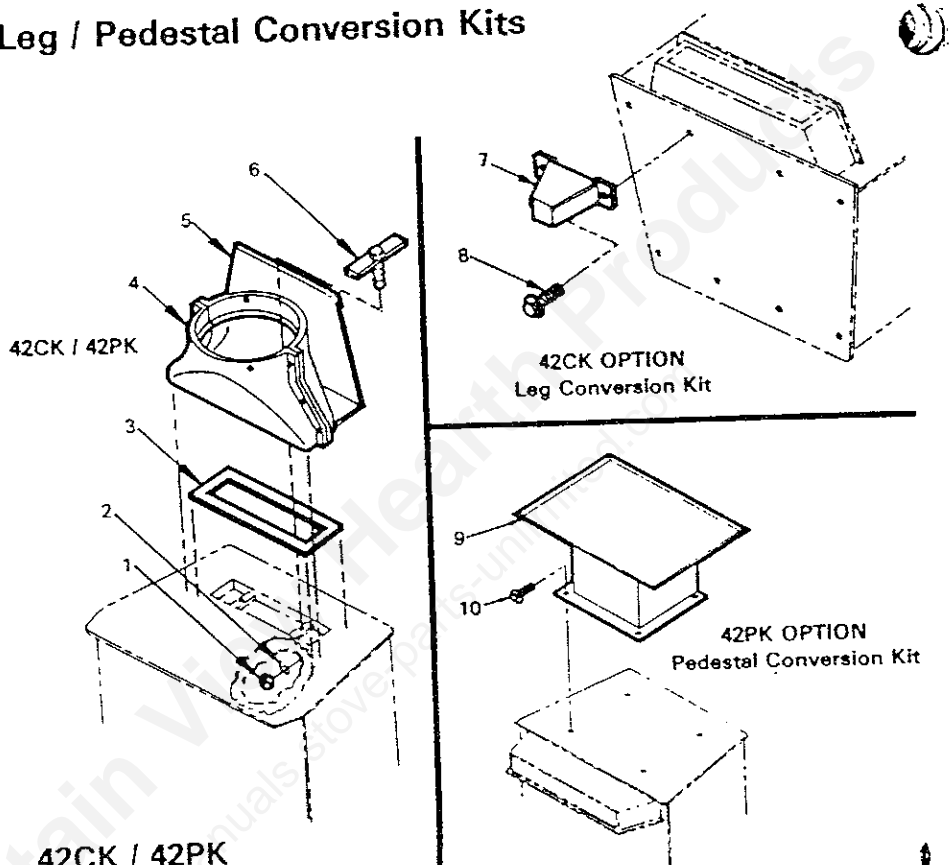
Key No.	Part No.	Description
1	89066	Firebrick (8 Req'd.)
2	22049	Damper, Flue Outlet
3	83002	Washer, Lock 1/4" (split) (3 Req'd.)
4	83072	Nut, Hex - 1/4-20 (3-Req'd.)
5	22048	Arm, Damper Adjustment
6	83102	Screw, Machine - 1/4-20 x 1-1/4 SL FL HD (2-Req'd.)
7	83010	Screw, Machine 1/4 - 20 x 3/4" PH TR PLN
8	83257	Fastener, Pushnut (2 Req'd.)
9	85388	Nameplate, "Forester"
10	67982	Hearth Extension Grill Assembly
11	83236	Screw, Machine 1/4-20 x 3/4 HXW Type F BLK OX (4 Req'd.)
12	83202	Screw, Machine 10-24 x 3/4 MS PH RD PLN (6 Req'd.)
13	21781	Retainer, Glass Top
14	22378	Retainer, Glass/Spark Deflector
15	83244	Nut, Keps 10-24 PLN
16	83091	Washer, Flat #10
17	22305	Slide, Draft
18	89155	Glass 8" x 10"
18	88047	Gasket, Glass
20	83243	Nut, Lock - 7/16 - 20 NF (Thin-Top)
21	22083	Latch, Door
22	88057	Thermocord 1/2" (51")
23	22292	Door (For Glass Insert)
24	89189	Handle, Door
25	40025	Knob, Draft Control
26	22412	Door (Solid Cast)
*	85456	Owner's Manual (4120 / 4121)

* Not Shown

Forester 4120/4121

Free Standing Room Heater

Leg / Pedestal Conversion Kits



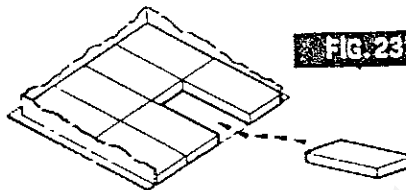
42CK / 42PK PARTS LIST

KEY	PART NO.	DESCRIPTION	QTY.
1	83238	Nut, Hex 3/8 - 16	2
2	83237	Washer, Lock 3/8 (split)	2
3	88054	Gasket, Flue	1
4	67921	Adapter, Flue (8")	1
5	22205	Shield, Flue Adapter	1
6	67920	Flue, Tie-Down	2
7	67840	Legs	4
8	83236	Screws, Thread cutting 1/4-20 x 3/4 HX W (Type F)	8
9	67924	Base Pedestal	1
10	83236	Screws, Thread Cutting 1/4-20 x 3/4 HX W (Type F)	4
11*	89185	Drill, Twist (Black Type F) (7/32" dia.)	1

* Not Shown

FIREBRICK PLACEMENT INSTRUCTIONS

- Place (4) firebricks side by side with the 4-1/2" side facing the backwall. (See Fig. 23). Place the remaining (4) firebricks end to end with the first firebricks.



Forester 4120 / 4121 Fireplace Insert

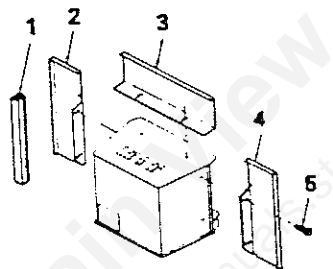
Kit #41MB — MATTE BLACK TRIM

Kit #41AP — ANTIQUE PLATED TRIM

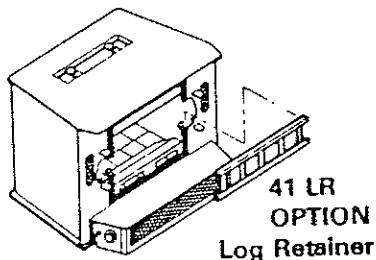
PARTS LIST

KEY	PART NO.		DESCRIPTION	QTY.
	41MB	41AP		
1	88055	88055	Gasket (10' Roll)	1
2	22406	22415	Trim, R/H	1
3	22407	22416	Trim, Top	1
4	22405	22417	Trim, L/H	1
5	83236	83236	Screws, Thread cutting 1/4-20 x 3/4 HX W (Type F)	1
6*	88056	88056	Cement, Furnace (4 oz. Tube) Optional not supplied with Kit	1
7*	89185	89185	Drill, Twist	1

* Not Shown



OPTIONS — 41MB / 41AP

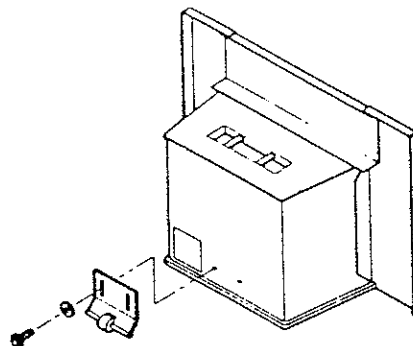


41 LR
OPTION
Log Retainer

41BH
OPTION — Blower Kit

Optional Kits

For Forester 4120 / 4121 Heater



42LV OPTION Leveler / Roller Kit

Notes

Mountain View Hearth Products
manuals.stove-parts-unlimited.com

owners manual

HOW TO ORDER REPAIR PARTS

THIS MANUAL WILL HELP YOU TO OBTAIN EFFICIENT, DEPENDABLE SERVICE FROM THE HEATER, AND ENABLE YOU TO ORDER REPAIR PARTS CORRECTLY.

KEEP IN A SAFE PLACE FOR FUTURE REFERENCE.

WHEN WRITING, ALWAYS GIVE THE FULL MODEL NUMBER AND SERIAL NUMBER WHICH IS ON THE NAMEPLATE LOCATED ON THE INSIDE OF THE BACK ON THE HEARTH EXTENSION.

WHEN ORDERING REPAIR PARTS, ALWAYS GIVE THE FOLLOWING INFORMATION AS SHOWN IN THIS LIST:

1. The PART NUMBER
2. The PART DESCRIPTION
3. The MODEL NUMBER: 4120 Forester Room Heater
 4121 Forester Room Heater
4. The SERIAL NUMBER: _____

BEFORE INSTALLING YOUR HEATER, CHECK THE ABOVE APPROPRIATE BOX AND FILL IN THE SERIAL NUMBER OF YOUR HEATER IN THE SPACES PROVIDED ABOVE.

UNITED STATES STOVE COMPANY
P. O. Box 5349
3500 North Hawthorne Street
Chattanooga, Tennessee 37406
(615) 698-3435