



4IBT & 4IHC BRASS TRIM KITS INSTRUCTION SHEET FOR MODELS 4120 AND 4121

CAUTION:
Read All Instructions
Carefully Before Starting
The Installation.

TOOLS REQUIRED:
1/4" Electric Drill
3/16" Drill Bit
Pencil
Phillips Screwdriver

4IBT

INSTALLATION

Before beginning installation, be sure insert has thoroughly cooled.

Also, you may want to slide the insert out of the fireplace opening about 12" for easier installation.

1. Remove protective plastic covering from all pieces.
2. Locate the two (2) side trim pieces measuring 26-1/4" and align on the side heater panel with the holes in the trim pieces at the bottom and the lower edge flush with the heater panels lower edge.
3. Mark the position of the trim holes on the heater panels and drill 3/16" dia. holes in the heater panels.

Attach side trim to heater side panels with the brass screws provided. Secure the lower screws only (See Fig. 1) (The top will be secured by the corner trim pieces).

5. Center the long 41-1/2" top trim piece on the top edge of the top heater panel. If the heater panels are located on the heater in an extreme rearward position, the top trim piece may require trimming to fit.

6. Press trim corners over the side and top trim pieces to obtain a proper fit. If the top trim piece extends beyond the holes on the top of the corner trim, it will be necessary to drill through the top trim and the top heater panel.

7. Using the corner trim as a guide, drill the four (4) 3/16" dia. holes needed to attach the two (2) corners. Secure the corners using the brass screws provided (See Fig. 2).

8. Slide the insert back into fireplace opening, making sure the gasket once again seals against fireplace front.

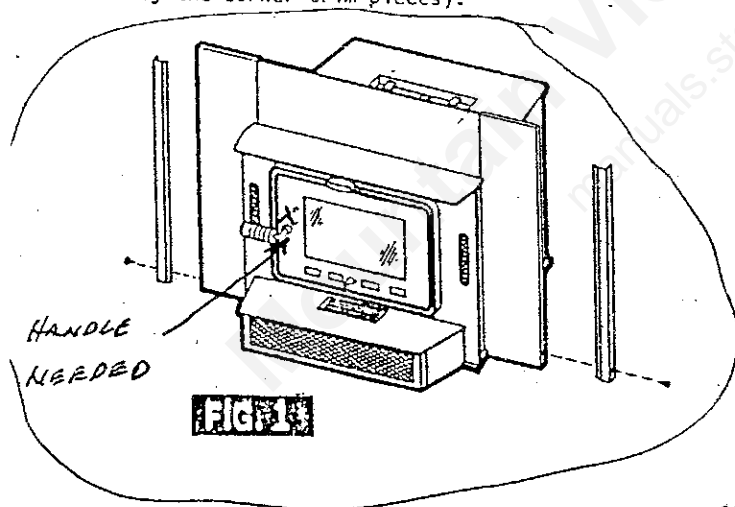


FIG. 1

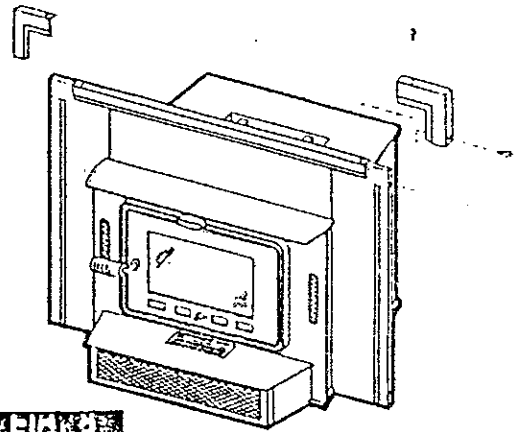


FIG. 2

4IHC

INSTALLATION:

1. Remove protective plastic covering from all pieces.
2. Locate the thinnest group of trim with dimples on one side. This will be the heater top trim. Center the long 27-15/16" piece on the heater's top front edge with the dimples on the bottom.

Apply the trim by pushing or bumping with hands. Apply sides in the same manner.

3. The wide trim group is designed to fit the blower top lip. Center the long front piece on the blower top with the wide side facing up. Push or bump into place with hands. Apply sides in the same manner.

UNITED STATES STOVE COMPANY
3500 North Hawthorne Street
Chattanooga, Tennessee 37406