



42BG Barbecue Grill Kit Instruction Sheet

CAUTION:
Read All Instructions
Carefully Before Starting
The Installation.

Your Barbecue Grill Kit is to be installed inside of the firebox on the left hand side (SEE FIG. 1).

INSTALLATION

1. Mark the hole locations inside the firebox using the dimensions given in Fig. 2. Using an electric drill and the 7/32" dia. drill bit provided, drill (2) holes into the firebox side (left hand side).
2. Position the retainer bracket over the (2) 7/32" dia. holes and mount it to the firebox side, using the (2) 1/4-20 self-threading screws provided with an adjustable or 3/8" wrench.
3. Assemble the grill adjusting leg to the grill arm using (1) 1/4-20 machine screw, 1/4" flat washer and 1/4" square nut that is provided (SEE FIG. 3). Then assemble the grill arm to the grill using (3) 1/4-20 machine screws, 1/4" flat washers and 1/4" square nuts that are provided (SEE FIG. 3).
4. Install the grill support in the retainer bracket which is mounted to inside of firebox by inserting the two (2) round rod arms that are in the grill support into holes in the retainer bracket (SEE FIG. 3).
5. Swing the grill support so that the teeth face toward the front of the heater. While holding the grill assembly with both hands, tilt the outside end of the grill upward and slip the grill arm over the top of the grill support.
6. Release the grill assembly and the grill adjusting leg will hold the grill assembly into position by engaging with the teeth in the grill support. Now the grill assembly should be securely in place.

HEIGHT ADJUSTMENT

To adjust the grill height, simply tilt the outside end of the grill upward and move the grill assembly to the desired height.

LEVELING ADJUSTMENT

If the grill assembly is not level, loosen the 1/4"-20 machine screw, and 1/4" square nut that holds the grill adjusting leg to the grill arm. Reposition the grill adjusting leg accordingly and retighten the machine screw and square nut.

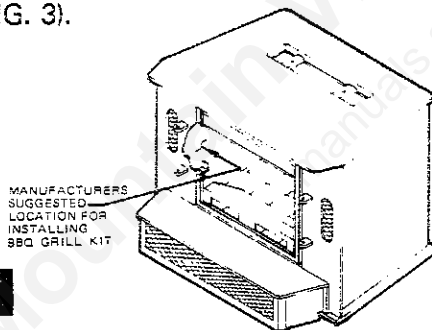


FIG. 1

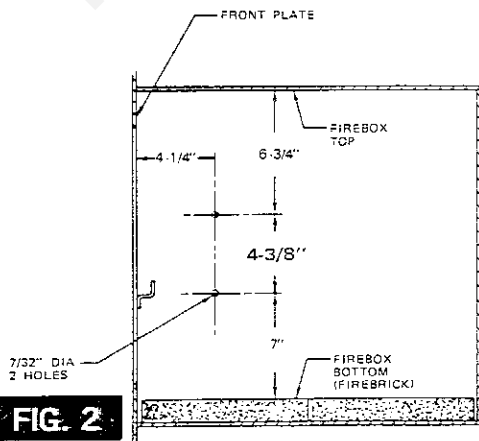


FIG. 2

CAUTION
DO NOT TOUCH OR ATTEMPT TO
ADJUST THE GRILL WHEN IT IS HOT!

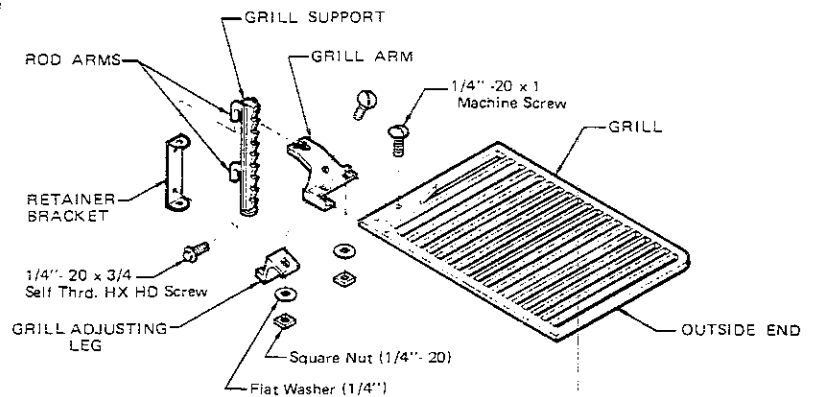


FIG. 3

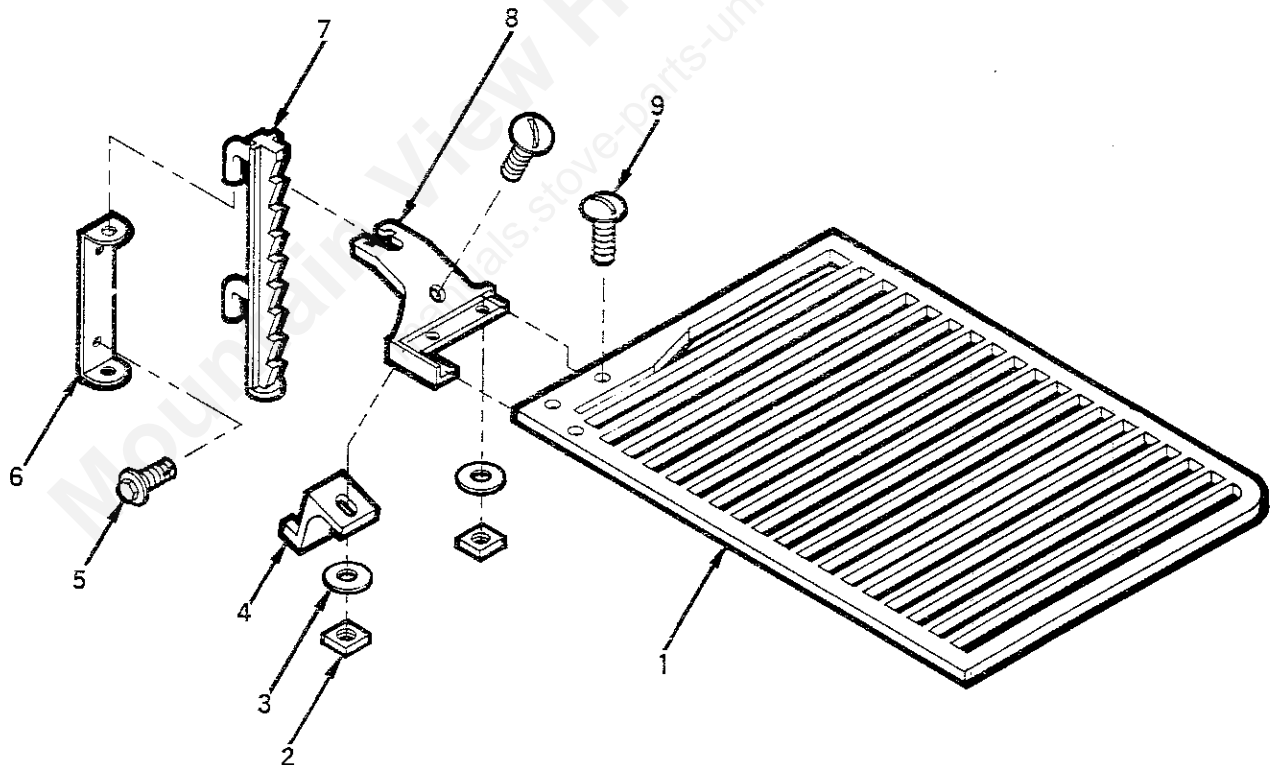
Repair Parts List

42BG Barbecue Grill Kit

| Key No. | Part No. | Description |
|---------|----------|---|
| 1 | 40001 | Grill |
| 2 | 83001 | Square Nut (1/-20)(4 Req'd.) |
| 3 | 83045 | Flat Washer, 1/4" (4 Req'd.) |
| 4 | 40003 | Leg, Grill Adjusting |
| 5 | 83235 | Self Threading Screw (1/4"-20x 3/4" HX HD) (2 Req'd.) |
| 6 | 21132 | Bracket, Retainer |
| 7 | 40004 | Support, Grill |
| 8 | 40002 | Arm, Grill |
| 9 | 83094 | Machine Screw (1/4-20 x 1 SL TR HD) (4 Req'd.) |

**When Ordering Repair Parts
Always Give The Following:**

1. The Heater Model Number
2. The Kit Number
3. The Part Number
4. The Part Description



FROM
UNITED STATES STOVE COMPANY
 P.O. BOX 151 • 227 INDUSTRIAL PARK ROAD
 SOUTH PITTSBURG, TN 37380-0151



42BG Barbecue Grill Kit Instruction Sheet

CAUTION:
Read All Instructions
Carefully Before Starting
The Installation.

Your Barbecue Grill Kit is to be installed inside of the firebox on the left hand side (SEE FIG. 1).

INSTALLATION

1. Mark the hole locations inside the firebox using the dimensions given in Fig. 2. Using an electric drill and the 7/32" dia. drill bit provided, drill (2) holes into the firebox side (left hand side).
2. Position the retainer bracket over the (2) 7/32" dia. holes and mount it to the firebox side, using the (2) 1/4-20 self-threading screws provided with an adjustable or 3/8" wrench.
3. Assemble the grill adjusting leg to the grill arm using (1) 1/4-20 machine screw, 1/4" flat washer and 1/4" square nut that is provided (SEE FIG. 3). Then assemble the grill arm to the grill using (3) 1/4-20 machine screws, 1/4" flat washers and 1/4" square nuts that are provided (SEE FIG. 3).
4. Install the grill support in the retainer bracket which is mounted to inside of firebox by inserting the two (2) round rod arms that are in the grill support into holes in the retainer bracket (SEE FIG. 3).
5. Swing the grill support so that the teeth face toward the front of the heater. While holding the grill assembly with both hands, tilt the outside end of the grill upward and slip the grill arm over the top of the grill support.
6. Release the grill assembly and the grill adjusting leg will hold the grill assembly into position by engaging with the teeth in the grill support. Now the grill assembly should be securely in place.

HEIGHT ADJUSTMENT

To adjust the grill height, simply tilt the outside end of the grill upward and move the grill assembly to the desired height.

LEVELING ADJUSTMENT

If the grill assembly is not level, loosen the 1/4"-20 machine screw, and 1/4" square nut that holds the grill adjusting leg to the grill arm. Reposition the grill adjusting leg accordingly and retighten the machine screw and square nut.

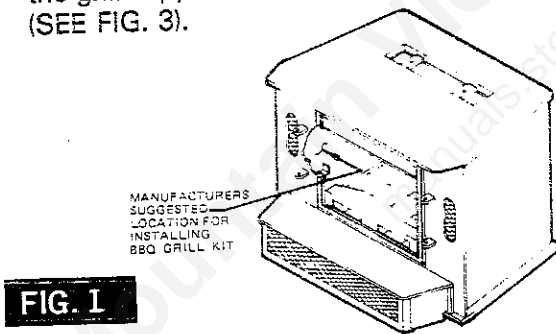


FIG. 1

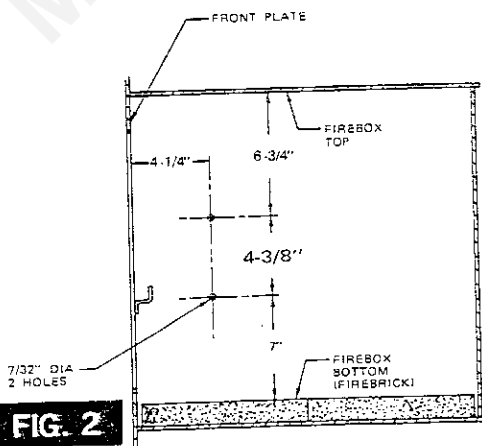


FIG. 2

CAUTION
DO NOT TOUCH OR ATTEMPT TO
ADJUST THE GRILL WHEN IT IS HOT!

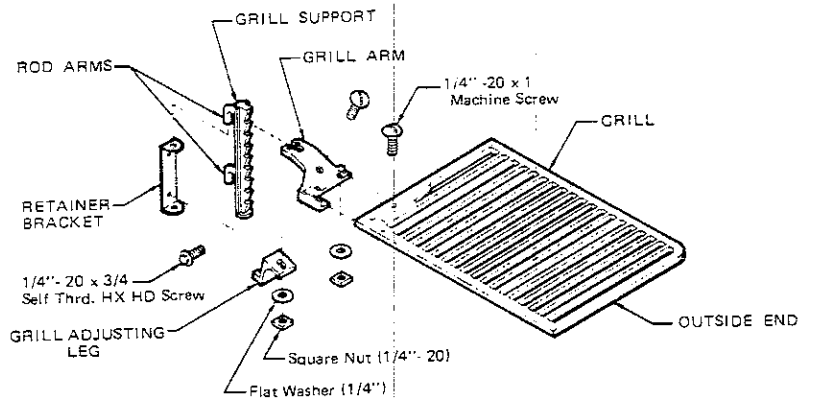


FIG. 3

FORM 85407 2/83