

# Introducing THE 42CG COAL GRATE

NLA



United States Stove's new **42CG COAL GRATE** is for use in the 4200 **FORESTER** Fireplace Insert, the 4200 **FORESTER** Freestanding Fireplace, and any coal burning heater or fireplace where dimensions permit.

The **42CG** burns hard (anthracite) or soft (bituminous) coal and features a slide grate for easy ash removal. The "shaker-type" integral grate system, with its removable handle, allows you to shake ashes from the grate without any additional tools.

The ½" thick, heavy-duty, cast-iron construction ensures lasting durability. And you can be comfortable knowing that the **42CG COAL GRATE** reflects the experience of America's oldest stovemaker, United States Stove Company.

## Specifications

**42CG**

Weight:	55 lbs.
Dimensions: (assembled)	
Depth: (front to back)	18¼"
Width: (side to side)	20¼"
Height: (with legs)	10½"
Coal Capacity:	60 lbs.

## UNITED STATES STOVE COMPANY

P.O. Box 5349  
Chattanooga, TN 37406  
(615) 698-3435

Home heating equipment  
made in America since 1869.





# 42CG Coal Grate Option Instruction Sheet

**CAUTION:**  
Read All Instructions  
Carefully Before Starting  
The Installation.

The Model 4200 may be used to burn coal, hard (anthracite), or soft (bituminous) when the Coal Grate Option 42CG is used. Besides having the necessary parts to convert your unit to burn coal, also included is a shaker handle for use in agitating and dumping ashes and coal.

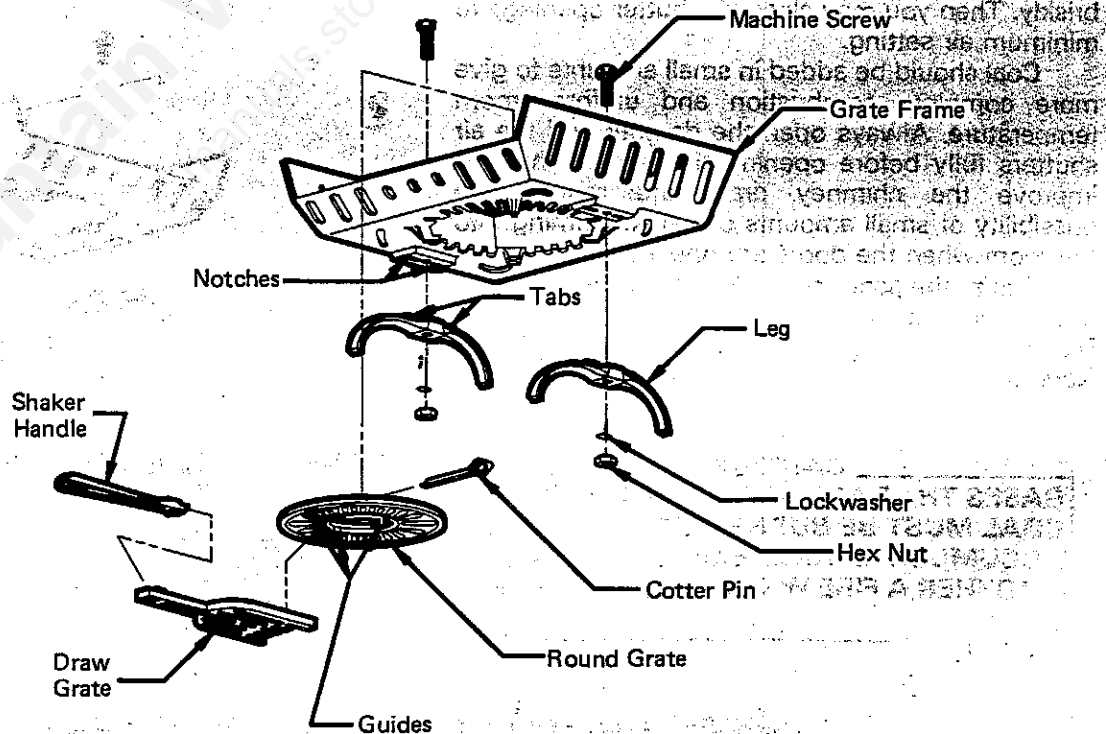
## ASSEMBLY

1. Remove all parts from shipping carton.
2. Position grate frame upside down on floor.
3. Assemble legs on bottom of grate frame by locating tabs on legs into notches on bottom of grate frame. Secure legs with machine screws, washers and hex nuts that are provided. (SEE FIGURE BELOW).
4. Upright grate frame assembly onto legs.
5. Assemble draw grate to round grate. Slide draw grate in between guides that are located below round grate, making sure that guide with hole in it (on round grate) sits in center slot (extends into handle of draw grate) of draw grate (SEE FIGURE BELOW).

6. Assemble grate assembly to grate frame assembly, making sure handle of draw grate is positioned in front.
7. Using shaker handle, check to make sure grates slide and rotate for proper function before installing into heater. It is advisable for you to get familiar with coal grate assembly operation before firing heater.

**NOTE:** Full rotation of grate — left to right (75°) will only agitate coals and spill ashes. Pulling of draw grate towards outside of heater will completely dump ashes and coal.

8. When 42CG — Coal Grate Option — is used, air manifold must be removed from heater. (SEE OWNER'S MANUAL, PAGE 16 and 17, KEY NO. 33). Keep air manifold for future use. When burning wood, it is necessary that the air manifold be in place to prevent possible overfiring of heater.

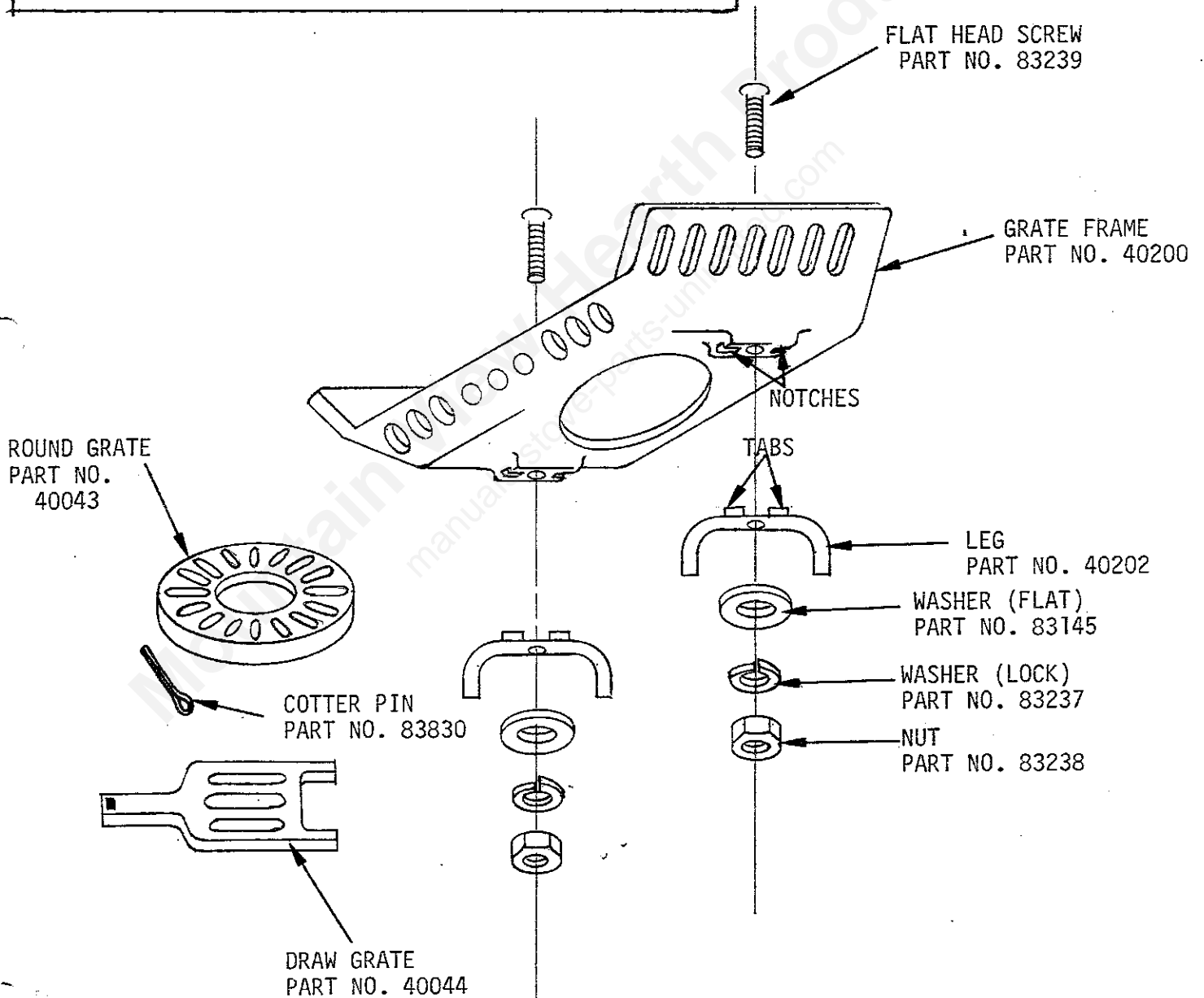


# INSTRUCTIONS

1. Remove grate from box.
2. Position grate upside down on floor
3. Locate feet on bottom of grate by inserting the tabs on the feet into the notches provided on the grate on either side of mounting hole.
4. Secure feet with the screws, washers and nuts provided.

UNITED STATES STOVE COMPANY

MODEL 42CG



*Wrong #*  
FORM NO. 89201



# 42CG Coal Grate Option Instruction Sheet

**CAUTION:**  
Read All Instructions  
Carefully Before Starting  
The Installation.

The Model 4200 may be used to burn coal, hard (anthracite), or soft (bituminous) when the Coal Grate Option 42CG is used. Besides having the necessary parts to convert your unit to burn coal, also included is a shaker handle for use in agitating and dumping ashes and coal.

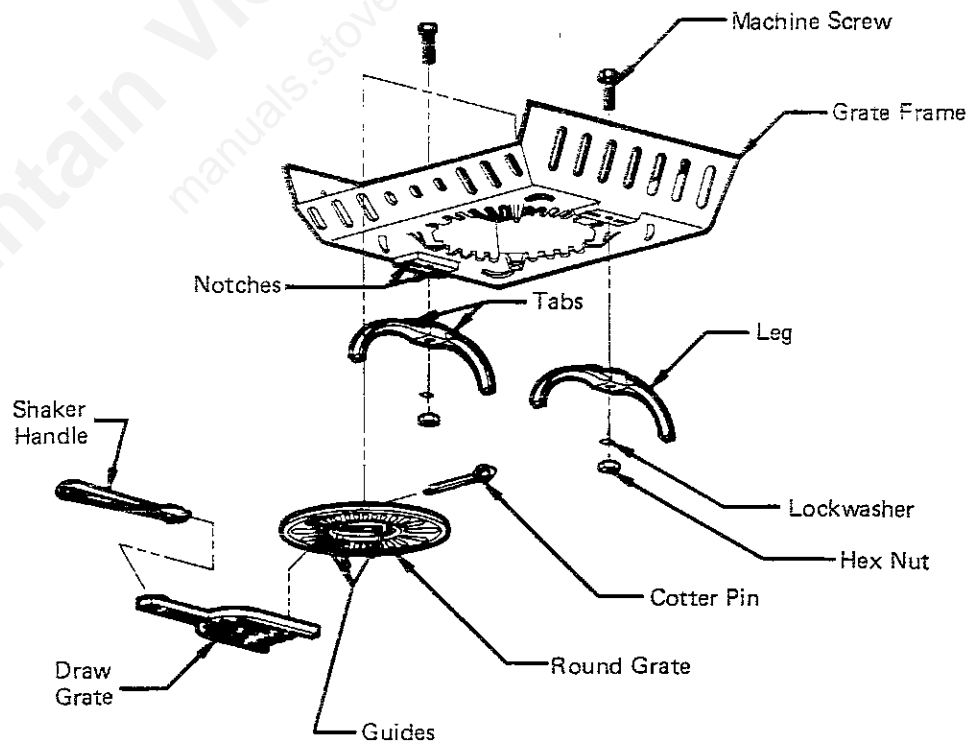
## ASSEMBLY

1. Remove all parts from shipping carton.
2. Position grate frame upside down on floor.
3. Assemble legs on bottom of grate frame by locating tabs on legs into notches on bottom of grate frame. Secure legs with machine screws, washers and hex nuts that are provided. (SEE FIGURE BELOW).
4. Upright grate frame assembly onto legs.
5. Assemble draw grate to round grate. Slide draw grate in between guides that are located below round grate, making sure that guide with hole in it (on round grate) sits in center slot (extends into handle of draw grate) of draw grate (SEE FIGURE BELOW).

6. Assemble grate assembly to grate frame assembly, making sure handle of draw grate is positioned in front.
7. Using shaker handle, check to make sure grates slide and rotate for proper function before installing into heater. It is advisable for you to get familiar with coal grate assembly operation before firing heater.

**NOTE:** Full rotation of grate — left to right (75°) will only agitate coals and spill ashes. Pulling of draw grate towards outside of heater will completely dump ashes and coal.

8. When 42CG — Coal Grate Option — is used, air manifold must be removed from heater. (SEE OWNER'S MANUAL, PAGE 16 and 17, KEY NO. 33). Keep air manifold for future use. When burning wood, it is necessary that the air manifold be in place to prevent possible overfiring of heater.



# OPERATING INSTRUCTIONS

## TYPE FUEL:

Egg size (1-3/16 or larger) Bituminous (soft) of Anthracite (hard) Coal may be used. Also any of the specially packaged fireplace coals can be used. Coal with a low ash content (2% to 6%) is recommended.

**NOTE:** Store coal in a dry, well ventilated area.

## LIGHTING INSTRUCTIONS.

1. Open the air shutter on each door.
2. Open the damper fully. This can be done by pushing the damper arm all the way to the back of the unit. The damper handle is in front just above the doors.
3. Open both doors and place paper and kindling in the firebox.
4. Light the fire and close the doors until the kindling is burning.
5. Open the doors and add fuel as desired.

**WARNING: DO NOT OVERFIRE!**

## BURNING COAL:

Never smother the fire when adding coal (see CAUTION below). Gas accumulation and a mild smoky explosion will occur.

Add fresh kindling if the bed of coals has cooled. Add up to 20 lbs. of coal. Never add coal above sides of grate frame.

Stir the coal and watch the fire. The doors can be closed but leave air shutter openings on doors completely open until the new coal is burning briskly. Then you may close air shutter openings to minimum air setting.

Coal should be added in small amounts to give more complete combustion and uniform room temperature. Always open the damper and the air shutters fully before opening the doors. This will improve the chimney draft and reduce the possibility of small amounts of smoke coming into the room when the doors are opened.

Empty the ashes regularly. Do not allow ashes to build up to grate as grate will warp and burn out. Dispose of hot ashes properly (See Owners Manual Note 14, page 3).

## CAUTION

**GASES THAT ARE DRIVEN FROM FRESH COAL MUST BE BURNED OR THEY WILL ACCUMULATE AND EXPLODE. NEVER SMOTHER A FIRE WHEN ADDING FRESH COAL.**

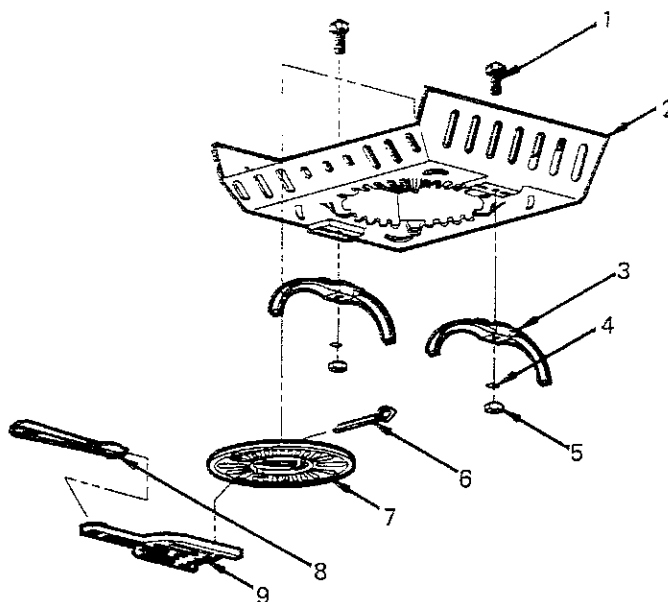
**When Ordering Repair Parts Always Give the Following:**

1. The Heater Model Number
2. The Kit Number
3. The Part Number
4. The Part Description

## Repair parts list 42CG (Coal Grate Kit)

Key	Part No.	Description
1	83239	Screw, Machine (3/8"-16x1-1/2 HX HD (2-Req'd)
2	40200	Frame, Coal Grate
3	40202	Leg (2 Req'd)
4	33237	Washer Lock (3/8" split)(2 Req'd)
5	83238	Nut, Hex (3/8"-16)(2 Req'd)
6	33830	Pin, Cotter (3/16" x 1-1/4 steel)
7	40043	Grate, Round
8	40045	Handle, Shaker
9	40044	Grate, Draw
*	85403	Instruction Sheet

\* Not Shown



FROM  
**UNITED STATES STOVE COMPANY**

P.O. BOX 151 • 227 INDUSTRIAL PARK ROAD  
SOUTH PITTSBURG, TN 37380-0151