



CAUTION:
Read All Instructions
Carefully Before Starting
The Installation.

42CK CONVERSION KIT

INSTRUCTION SHEET

(for Forester 4100, 4101, 4120, 4121 and 4200
Free Standing Room Heaters)

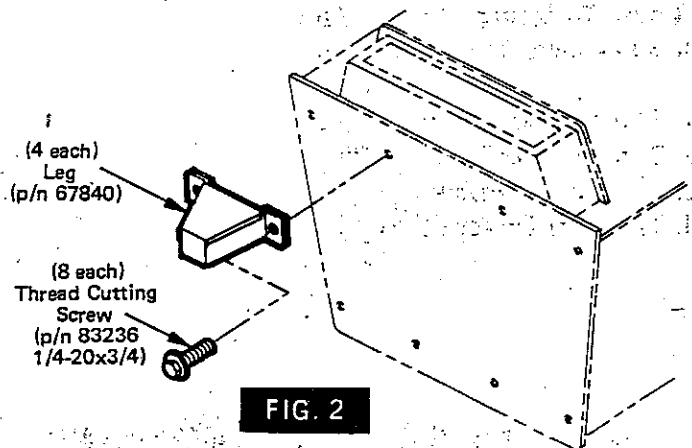
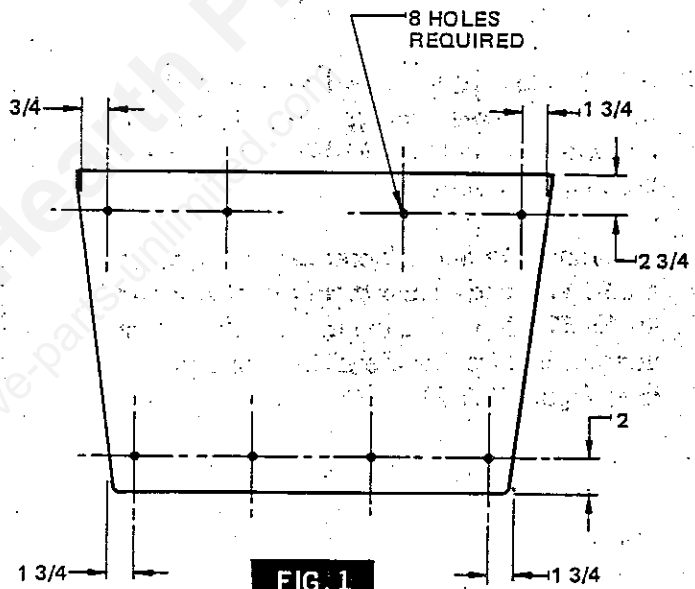
TOOLS REQUIRED:

- 1/4" Electric Drill
- Pencil
- 12" Ruler or Tape Measure
- 3/8" Box, Open End or Small Adjustable Wrench
or 3/8" Socket & Ratchet
- Gloves

LEG INSTALLATION

Before beginning installation, be sure heater
and its contents have thoroughly cooled.

1. Lift doors from hinges and remove from heater.
2. Remove firebrick, ashes (cold) and air manifold
from firebox. See Fig. 22 in the owner's manual.
3. Disconnect chimney pipe and flue adapter
assembly, see Fig. 8 of owner's manual on
Placement of Flue Adapter Assembly.
4. Position heater on its back and then on its top.
5. Remove legs and parts from carton and position
legs on bottom of heater using dimensions
shown in Fig. 1 as locators. Mark hole locations
using holes in leg assembly as locators.
6. Drill (8) marked holes with drill bit (7/32" dia.)
that is provided in the bottom of cabinet. See
Fig. 1.
7. Mount the (4) leg assemblies (leg covers towards
front of heater) using the 1/4-20 self threading
screws provided. See Fig. 2.
8. Position heater on its back, then on to the legs.



UNITED STATES STOVE COMPANY

P. O. Box 5349

3500 North Hawthorne Street, Chattanooga, TN 37406

(615) 698-3435

FORM NO. 85409C 2/85



CAUTION:
 Read All Instructions
 Carefully Before Starting
 The Installation.

Flue Adapter Assembly INSTRUCTION SHEET

(For Forester Model 4100, 4101, 4120, 4121 and 4200 Room Heaters)

Repair Parts Flue Adapter Assembly

INSTALLATION INSTRUCTIONS

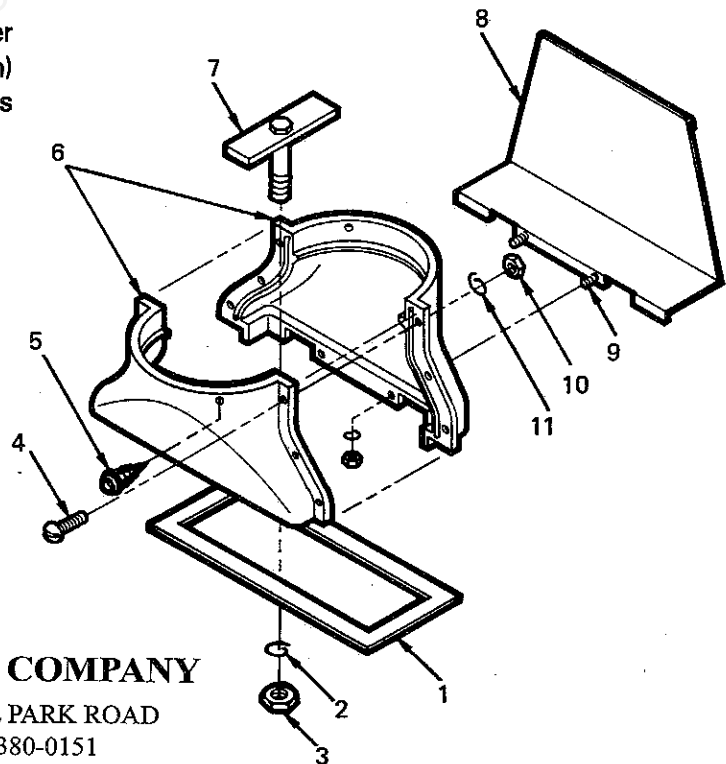
1. Remove flue adapter halves, flue adapter shield and parts from carton.
2. Attach flue adapter shield to one of the flue adapter halves using (2) of the #10 lockwashers and the #10-24 nuts provided. (See Figure Below).
3. Assemble the flue adapter halves together at the flanges and secure them together with the six (6) #10-24 x 1 (black) round head machine screws, lockwashers, and hex nuts provided (See Figure Below).
4. Secure flue adapter assembly to top of heater as shown in Fig. 8 (Flue Adapter Installation) of Forester Model 4100 or 4200 Room Heaters Owner's Manual.

Key	Part No.	Description
1	88054	Gasket, Flue
2	83237	Lockwasher (3/8" split)(2 Req'd)
3	83238	Hex Nut (3/8"-16)(2 Req'd)
4	83251	Screw, Machine 10-24 x 1" SL RD HD) (6 Req'd)
5	83230	Screen, Sheet Metal (10Ax3/4" HX W HD) (3 Req'd)
6	22206	Halve, Flue Adapter (2 Req'd)
7	67920	Tie-Down, Flue (2 Req'd)
8	22205	Shield, Flue Adapter
9	83088	Screw, Machine (10-24x 3/4" SL FL HD2) (2 Req'd)
10	83277	Toplock Hex Nuts 10 - 24 BLK (8 Req'd)
11	83278	Flat Washers No. 10 BLK (8 Req'd)
*	89185	Drill Bit, Twist (7/32" dia.)
*	85409C	Owner's Manual

* Not Shown

When Ordering Repair Parts Always Give The Following:

1. The Heater Model Number
2. The Kit Number: 42CK
3. The Part Number
4. The Part Description



FROM

UNITED STATES STOVE COMPANY

P.O. BOX 151 • 227 INDUSTRIAL PARK ROAD
 SOUTH PITTSBURG, TN 37380-0151

