



CAUTION:
Read All Instructions
Carefully Before Starting
the Installation.

42LV Leveler / Roller Option Instruction Sheet

TOOLS REQUIRED

1/4" Electric Drill
7/32" Dia. Drill Bit
Pencil

6 foot folding rule or tape measure
3/8" Box, Open End or small adjustable wrench
Gloves

NOTE:
Take care when raising the rear of the insert as the hearth extension could strike the floor during installation of the insert. It is recommended that the front grill on the hearth extension be removed to prevent possible damage. (See Owners Manual page 3 under "Unloading Tips").

1. Drill (2) holes in the back of the heater cabinet with a 7/32" diameter drill bit at the locations shown in Fig. 1.
2. Using an adjustable or 3/8" wrench, secure the leveler/roller (P/N67841) with the self threading screws (P/N83236) and washers (P/N83108) provided. Fig. 2.

CAUTION: DO NOT drill through the firebox otherwise smoke and combustible gases will leak into room when a fire is built in heater.

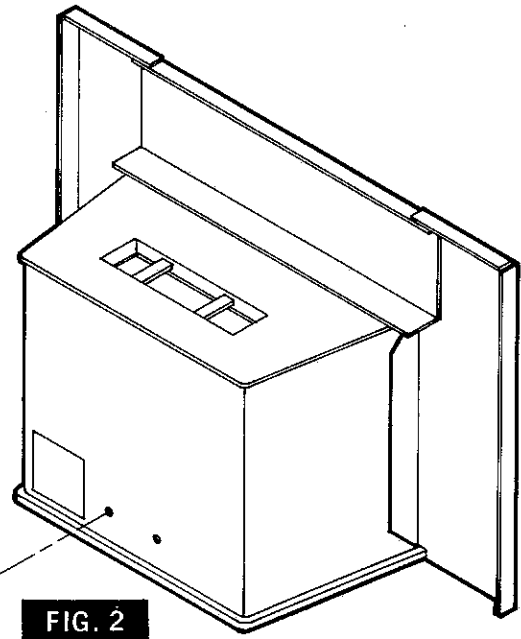
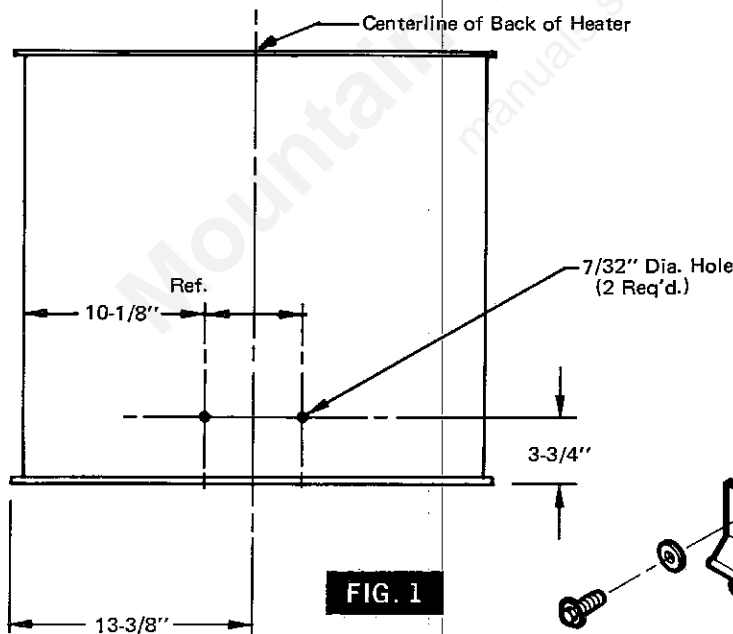


FIG. 1

FIG. 2

UNITED STATES STOVE COMPANY
3500 North Hawthorne Street
Chattanooga, TN 37406 — (615) 698-3435

FORM 85378A 2/84