



42PK Pedestal Base Kit

Instruction Sheet

(For Forester Model 4100 - 4101 - 4200)

CAUTION:
Read All Instructions
Carefully Before Starting
The Installation.

TOOLS REQUIRED:

- 1/4" Electric Drill
- Pencil
- 12" Ruler or Tape Measure
- 3/8" Box, Open End or Small Adjustable Wrench
- Gloves

INSTALLATION

Before beginning installation, be sure heater and its contents have thoroughly cooled.

1. Lift doors from hinges and remove from heater.
2. Remove firebrick, ashes (cold) and air manifold from firebox. See Page 13, Fig. 22 of owner's manual.
3. Disconnect chimney pipe and flue adapter assembly, see Page 6, Fig. 8 of owner's manual on Placement of Flue Adapter Assembly.
4. Position heater on its back and then on its top.
5. Remove pedestal base and parts from carton and position pedestal base on bottom of heater with open end of pedestal base facing rear of heater. (See Fig. 1 below.)
6. Using the Dimensions shown in Fig. 1, mark the (4) hole locations on heater bottom using pedestal top mounting plate as template. (See Fig. 1 below.)

7. Drill marked holes with electric drill using drill bit that is provided.
8. Secure pedestal base with (4) 1/4-20 self threading screws that are provided.
9. Position heater on its back, then on to the pedestal base.

42 PK Pedestal Base Kit Repair Parts List

Key No.	Part No.	Description
1	67924	Pedestal Base
2	83236	Screw, Machine (4-Req'd) (1/4-20x3/4 self thrd. blk)
*	89185	Drill Bit (7/32")

* Not Shown

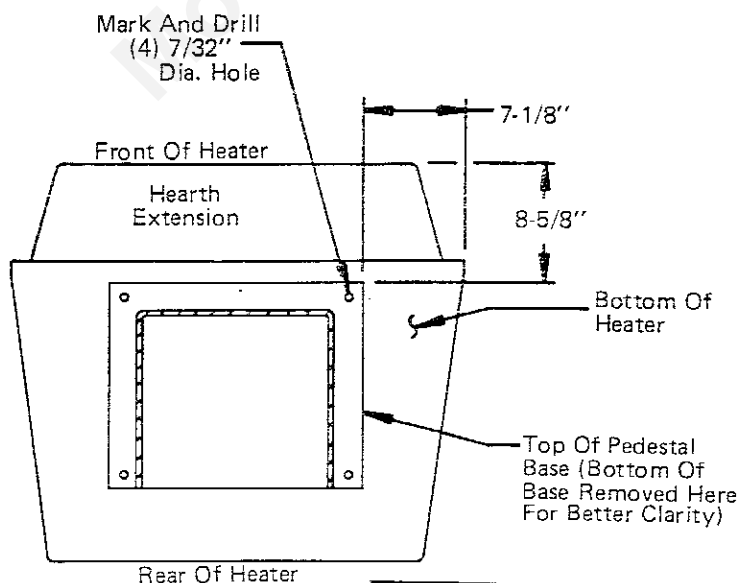
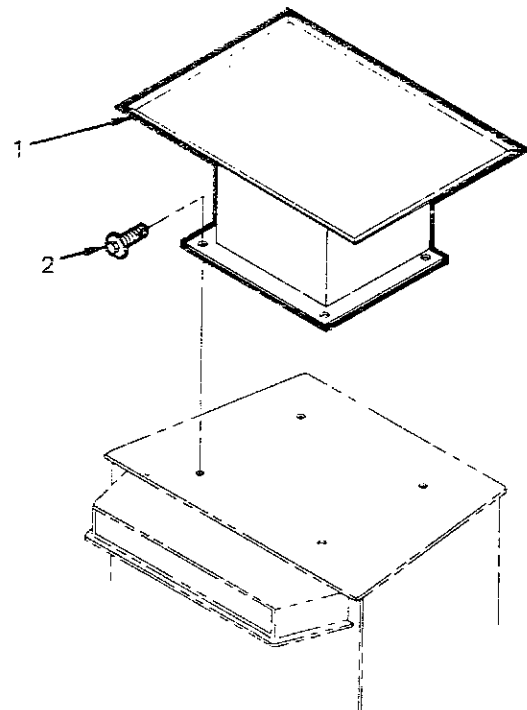


FIG. 1



FORM 85410B 9/84



Flue Adapter Assembly

Instruction Sheet

(For Forester Model

4100 - 4101 - 4200)

CAUTION:

Read All Instructions Carefully Before Starting The Installation.

INSTALLATION INSTRUCTIONS

1. Remove flue adapter halves, flue adapter shield and parts from carton.
2. Attach flue adapter shield to one of the flue adapter halves using (2) of the #10 lockwashers and the #10-24 nuts provided. (See Figure Below).
3. Assemble the flue adapter halves together at the flanges and secure them together with the six (6) #10-24 x 1 (black) round head machine screws, lockwashers, and hex nuts provided (See Figure Below).
4. Secure flue adapter assembly to top of heater as described on Page 6 Flue Adapter Installation of Forester Model 4100 or 4200 Fireplace Heater Owner's Manual.

Repair Parts

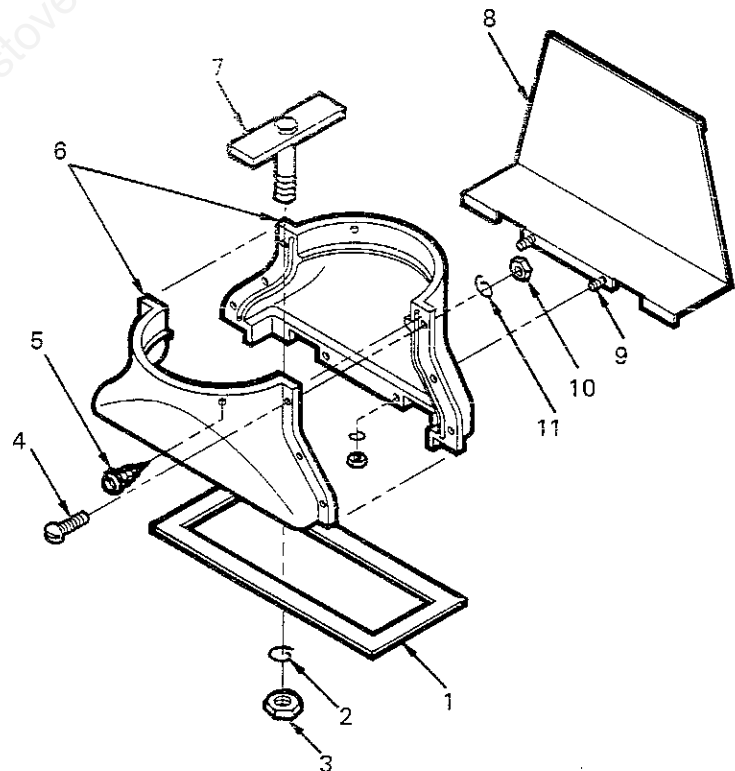
Flue Adapter Assembly

Key	Part No.	Description
1	88054	Gasket, Flue
2	83237	Lockwasher (3/8" split)(2 Req'd)
3	83238	Hex Nut (3/8"-16)(2 Req'd)
4	83251	Screw, Machine 10-24 x 1" SL RD HD) (6 Req'd)
5	83230	Screen, Sheet Metal (10Ax3/4" HX W HD) (3 Req'd)
6	67921	Halve, Flue Adapter (2 Req'd)
7	67920	Tie-Down, Flue (2 Req'd)
8	22205	Shield, Flue Adapter
9	93088	Screw, Machine (10-24x 3/4" SL FL HD2) (2 Req'd)
10	83252	Hex Nut, No. 10-24 (8 Req'd)
11	83020	Lockwasher (No. 10)(8 Req'd)
*	89185	Drill Bit, Twist (7/32" dia.)
*	85410A	Owner's Manual

* Not Shown

When Ordering Repair Parts Always Give The Following:

1. The Heater Model Number
2. The Kit Number
3. The Part Number
4. The Part Description



UNITED STATES STOVE COMPANY

3500 North Hawthorne Street — Chattanooga, TN 37406
(615) 698-3435