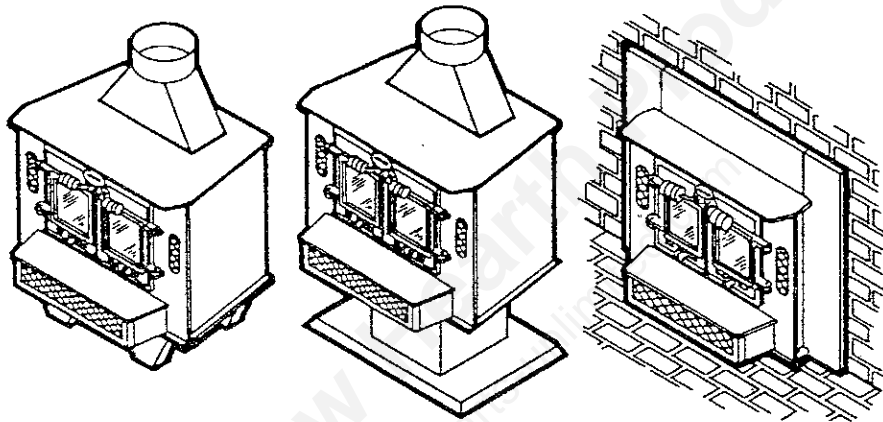


owners manual
Forester Fireplace Heater



Model 4200A / 4201A

**FREE STANDING AND
FOR INSTALLATION IN MASONRY FIREPLACES**

CAUTION:
Read All Instructions
Carefully Before Starting
The Installation or
Operating The Heater.

Improper Installation
Could Void Your
Warranty!



- Assembly
- Installation
- Operation
- Repair Parts

Save This Manual
For Future Reference.

**DO NOT USE THIS HEATER
IN A MOBILE HOME OR TRAILER**



UNITED STATES STOVE COMPANY
P. O. Box 5349, Chattanooga, TN 37406

FORM 85437 3/86

CONGRATULATIONS!

You've purchased one of America's Finest Wood and Coal Burning Heaters.
 By heating with wood you're helping CONSERVE AMERICA'S ENERGY!
 Wood is our Renewable Energy Resource. Please do your part to preserve our wood supply.
 Plant at least one tree each year. Future generations will thank you.

tools and materials needed

TOOLS

Pencil
 6 Foot Folding Rule or Tape
 Drill, Hand or Electric
 Drill Bit (For Sheet Metal Screws)-1/8" Dia.
 Screw Driver (Blade-Type)
 3/8" Box, Open End or Small
 Adjustable Wrench
 Gloves

9/16" box, open end or small
 adjustable wrench
 5/16" Nut Driver or
 5/16" Socket w/Ratchet

MATERIALS - FREE STANDING HEATER

8" Pipe, 8" Elbow, Collar and Thimble;
 as required (24 gauge min.)
 Sheet Metal Screws - (No.10A x 1/2")
 8" Inside diameter Underwriters Laboratories (U.L.)
 Listed Residential Solid Fuel Factory-Built
 Triplewall Chimney or existing masonry chimney.
 Furnace Cement (Manufacturer Recommends:
 Rutland Black Code 78 or equivalent).

MATERIALS - FREESTANDING AND INSERT

Floor Protector as specified on Page 4
 of this manual.

Forester 4200A / 4201A
 Free Standing Fireplace
 Heater Dimensions

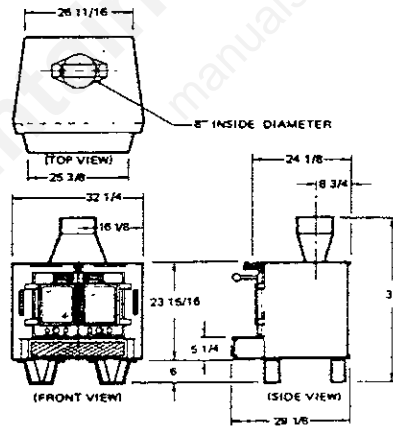


FIG. 1
 4200A / 4201A (42CK)

Forester 4200A / 4201A
 Pedestal Fireplace
 Heater Dimensions

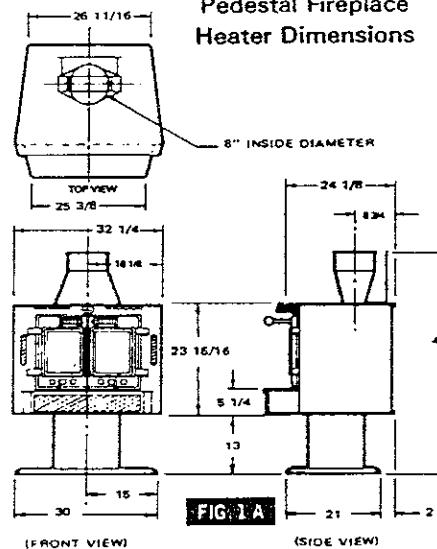


FIG. 1A
 4200A / 4201A (42PK)

rules for safe installation and operation

Read these rules and instructions carefully.

SAFETY NOTICE: If this heater is not properly installed, a house fire may result. For your safety, follow the installation instructions. Contact local building or fire officials about restrictions and installation inspection requirements in your area.

1. Check your local building and fire codes. This installation must comply with their rulings.
2. Install the Fireplace Insert in a masonry fireplace only with a masonry chimney that is constructed in accordance to NFPA 211. **DO NOT** install the Fireplace Insert in a factory-built metal fireplace (Zero Clearance). **DO NOT** install this heater in a mobile home or trailer. **DO NOT** connect a wood burning heater to an aluminum Type B gas vent. This is not safe and is prohibited by the National Fire Protection Association Code.
3. Always connect this heater to a chimney and vent to the outside. Never vent to another room or inside a building.
4. The freestanding fireplace heater requires a masonry or a UL Listed Residential Type and Building Heating Appliance Chimney.
5. Be sure the masonry fireplace is clean and in a safe condition. Have the chimney inspected by the fire department or a qualified inspector. Your insurance company may be able to recommend a qualified inspector.
6. Make sure the masonry chimney is high enough to give a good draft.
7. Inspect the chimney twice monthly during the heating season for any deposit of creosote or soot. Such deposits must be removed. See CHIMNEY MAINTENANCE, Page 12.
8. A grate may be used in this heater. Bituminous or anthracite coal can be used. (See page 11).
9. **DO NOT BE ALARMED IF HEATER SMOKES UPON INITIAL FIRING.** The special paint used on this heater must be cured during initial firing. This smoking will occur only on initial firing.
10. **CAST IRON PARTS MUST BE "SEASONED" TO AVOID CRACKING. BUILD ONLY SMALL FIRES DURING THE FIRST FEW DAYS OF USE.**
11. To prevent injury, do not allow anyone to use this heater who is unfamiliar with the correct operation of the heater.
12. For additional information on using your Fireplace Heater safely, obtain a copy of the National Fire Protection Association (NFPA) publication "Using Coal and Wood Stove Safely" NFPA No. HS-10-1978; and, "Chimneys, Fireplaces, and Solid Fuel Burning Appliances" NFPA No. 211-1980. The address of NFPA is Batterymarch Park, Quincy, MA 02269.
13. **DISPOSAL OF ASHES** - Ashes should be placed in a metal container with a tight fitting lid. The closed container of ashes should be placed on a noncombustible floor or on the ground, well away from all combustible materials, pending final disposal. If the ashes are disposed of by burial in soil or otherwise locally dispersed, they should be retained in the closed container until all cinders have thoroughly cooled.
14. Keep the ashpit section free of excess ashes.
15. Observe clearances to combustible materials specified in this manual to avoid a fire hazard.
16. **DO NOT USE** the coal bricks that are manufactured from coal dust and a wax-type binder.
17. The metals used in construction of the heater has a light coating of oil. This could give off smoke and/or odors when heater is used for the first couple of times. This should disappear after a short period of time. Once this burn-off has occurred, it should not reoccur. **CARING FOR PAINTED PARTS** - This heater has a painted outside jacket, which is durable but it will not stand rough handling or abuse. When installing your heater, use care in handling. Clean with soap and warm water when heater is not hot. **DO NOT** use any acids or scouring soap, as these wear and dull the finish. **PAINT DISCOLORATION WILL OCCUR IF THE HEATER IS OVERFIRED. FOLLOW OPERATING INSTRUCTIONS CAREFULLY.**

UNLOADING TIPS The heater has a total weight of approximately 500 lbs. Some tips on how to best get this heater to the desired installation location are as follows:

1. Remove doors from front of heater by lifting straight up when doors are open.
 2. Remove firebrick from inside of firebox.
 3. Remove front grill on hearth assembly by loosening 4 Phillips head screws (2 on each side). (This is recommended highly to keep from bending this grill during handling).
- The above steps will take approximately 80 - 90 lbs. of weight out of the unit weight and should better facilitate locating the unit for installation.

CAUTION: Do not touch the metal or glass surfaces of the heater until it has thoroughly cooled.

Locating The Free Standing Forester 4200/A / 4201A Fireplace Heater

AS A LOCATION IS SELECTED, KEEP THE FOLLOWING IN MIND:

1. Keep the chimney connection as short as possible. The heater must have its own chimney flue. Do not connect any other appliance to the same flue.

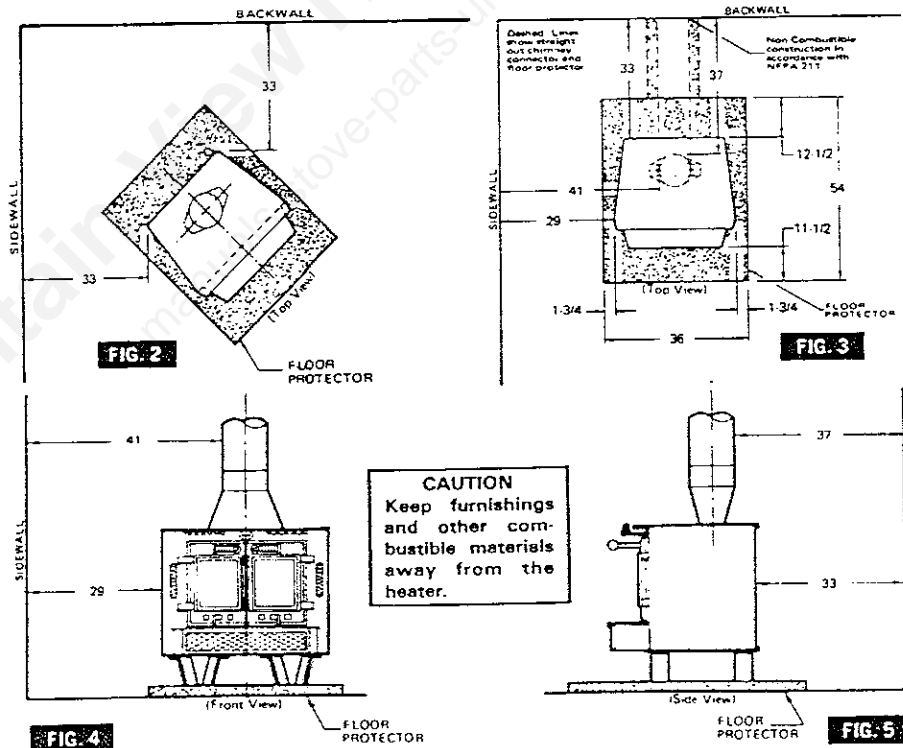
If there is no chimney near where you wish to place the heater, you can use a UL Listed Residential Solid Fuel Factory-Built Chimney (Fig. 10).

2. Place the heater on solid masonry or solid concrete. When the heater is used on a combustible floor, use a non-combustible floor protector of 3/8" thick millboard having a thermal conductivity of $K=0.84$ BTU in./Ft.² hr.

deg. F. with 28-gauge sheet metal or a UL listed floor protector. Have the floor protector extend 11-1/2" in front of the hearth extension, 1-3/4" to each side, 12-1/2" to the rear; underneath and 2" to each side of the chimney connector. (SEE FIG. 3).

3. Check Figures 2, 3, 4 & 5. You should have at least the clearances shown from the heater and the connector pipe to combustible surfaces. If you have a solid brick or stone wall behind your heater, you can place the heater as close as you wish to the wall. If the wall is only faced with brick or stone, treat it as a combustible wall.

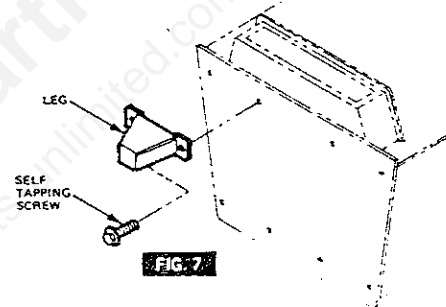
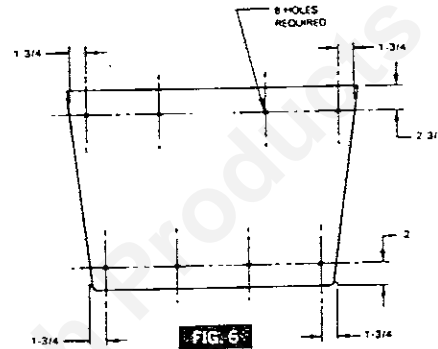
MINIMUM CLEARANCE TO COMBUSTIBLE WALLS



Assembly Instructions for Forester 4200A / 4201A Free Standing Fireplace Heater

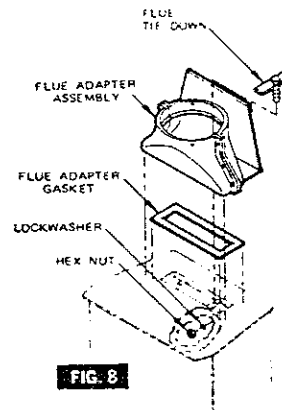
LEG INSTALLATION

1. Make sure the firebrick, air manifold and/or other loose objects are removed from the firebox.
2. Rotate the heater backwards onto the back side.
3. Position the leg assembly on the bottom of the heater as shown in Fig. 6. Mark the hole locations using the leg assembly holes as locators. Using an electric drill and the drill bit (7/32" dia.) provided, drill 8 holes in the bottom of the cabinet in the locations shown in Fig. 6.
4. Mount the four legs (leg covers towards front of heater) using the 1/4-20 self-tapping screws provided, with an adjustable or 3/8" wrench.
5. Rotate heater upright on legs and place in room location desired.
6. Install firebrick and air manifold as shown in Fig. 22.



FLUE ADAPTER INSTALLATION

1. Place flue gasket on flue adapter and install assembly into flue (Fig. 8).
2. Install flue tie down bars so that the ends rest on the inside shoulders of the flue adapter. The screws welded to the bars should go through the holes provided in the brackets welded to the inside of the flue.
3. Secure assembly with 3/8-16 nuts and lockwashers provided.
4. Hold tie down bars in place and tighten nuts with an adjustable or 9/16" wrench.
5. Install doors.



DOOR INSTALLATION

When facing the front of the heater, the left hand and right hand doors are to be mounted on the hinge pads, located on the front of the heater, by sliding the roll pins that are on the door hinges thru the hole in the hinge pads. The left hand door is mounted to the left hand hinge pads and the right hand door is mounted to the right hand hinge pads.

NOTE: Both Handles are to fit horizontally when both doors are closed on unit as shown in Fig. 4.

NOTE

During opening and closing of the feed and ash doors of this heater, it may seem that the fit of the doors are "too tight." As the heater is fired, the gasketing "settles" or "seats" itself in the doors. The tight fit at the factory and before the heater's initial firing is to insure a good seal after the gasketing "settles."

chimney connection

MASONRY CHIMNEY

Before using an existing masonry chimney, clean the chimney and inspect the flue liner to be sure it is safe to use. Make repairs before attaching the heater. (SEE P. 3, item 5).

Look at Fig. 9. The connector pipe and fittings you will need to connect directly to a masonry chimney are shown.

DO NOT connect this unit to a chimney flue serving another appliance.

The chimney used for a heater must not be used to ventilate the cellar or basement. If there is a cleanout opening at the base of the chimney, close it tightly.

If connector pipe must go through a combustible wall before entering the masonry chimney, consult a qualified mason or chimney dealer. The installation must conform to local fire codes, and NFPA 211.

UL LISTED CHIMNEY

Carefully follow chimney manufacturer's instructions. Use only a UL Listed Residential Type and Building Heating Appliance Factory-Built Chimney.

If your chimney starts at the ceiling (Fig. 10), you will need enough pipe to reach the ceiling.

The top of the chimney must be at least 3 feet above the roof and be at least 2 feet higher than any point of the roof within 10 feet (Fig. 10).

RULES FOR STOVEPIPE INSTALLATION

1. The crimped end of the connector pipe fits inside the heater flue collar. Install additional pipe and elbow with the **CRIMPED END TOWARD THE HEATER**. This will allow any condensation in the flue to run back into the heater.
2. Slope any horizontal pipe upward toward the chimney at least $\frac{1}{4}$ inch for each foot of horizontal run.
3. You must have at least 19 inches of clearance between any horizontal piping and the ceiling.
4. The pipe cannot extend into the chimney flue (Fig. 11).
5. Seal each connector pipe joint with furnace cement. Also seal the pipe at the chimney.
6. Use 3 sheet metal screws at each joint to make the piping rigid.
7. Do not put a damper in a connector pipe.
8. It is recommended that no more than two 90° bends be used in the stovepipe installation as more than two may decrease the amount of draw and possibly cause smoke spillage.

BAROMETRIC DRAFT REGULATOR (OPTIONAL)

In some installations, it may be desirable to install a barometric draft regulator in the chimney connector. A barometric draft regulator should be located in the same room (pressure zone) as the heater. When installing a barometric draft regulator, follow the barometric draft regulator manufacturer's instructions.

FLUE CONNECTION—NON-COMBUSTIBLE WALL

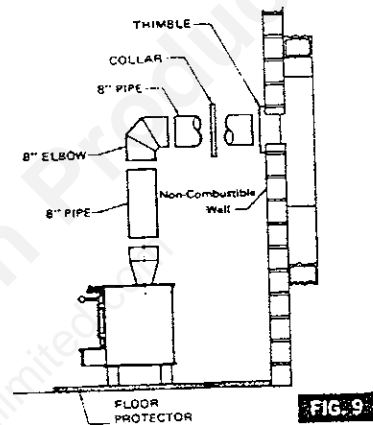


FIG. 9

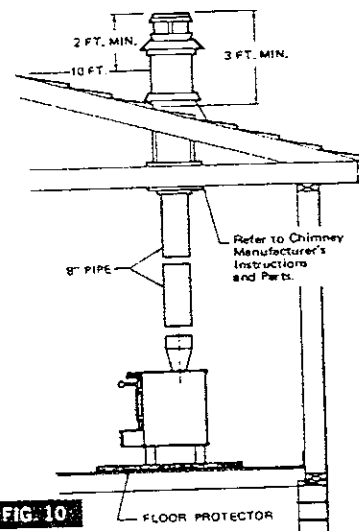


FIG. 10

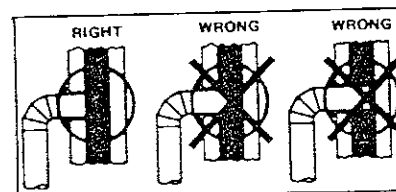


FIG. 11

Forester 4200A/4201A Fireplace Insert Dimensions

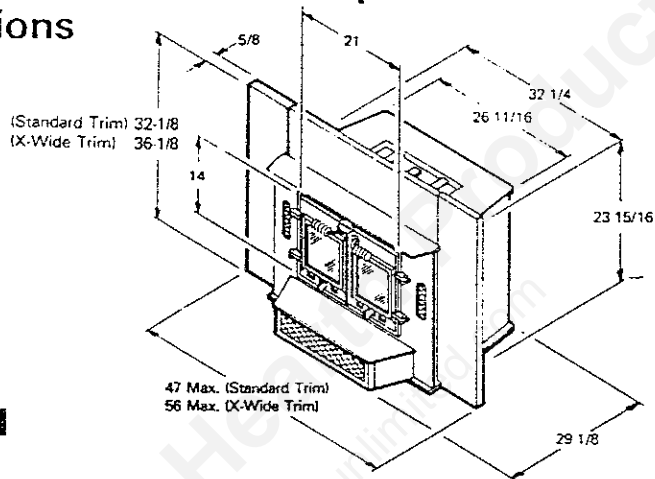


FIG. 12

minimum clearances to combustible surfaces

The clearances shown below must be maintained between the edge of the Fireplace Heater and decorative wooden mantels or mantel supports. If the wood trim or mantel of your fireplace is closer to the heater than these dimensions, they must be moved to at least the dimensions shown. Failure to observe these clearances could result in ignition of the mantel or wood trim.

The brick or stone hearth extension of your fireplace must extend a minimum of 16" in front of the Fireplace Heater. Clearance to any combustible wall must be a minimum of 22" as shown in the figure below.

CAUTION
KEEP FURNISHINGS AND OTHER
COMBUSTIBLE MATERIALS AWAY
FROM THE HEATER.

IMPORTANT: (Fig. 14)

The distance from the fireplace front surface to the front edge of the heater top must be within the dimensions shown. Make sure the flue opening on the fireplace insert completely clears the lintel of the fireplace. This will insure a proper draft.

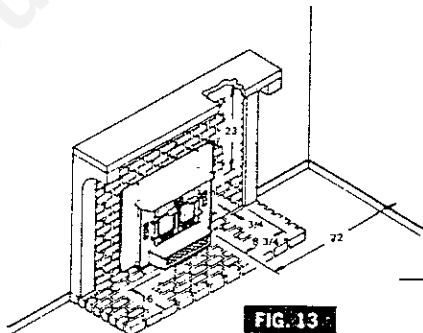


FIG. 13

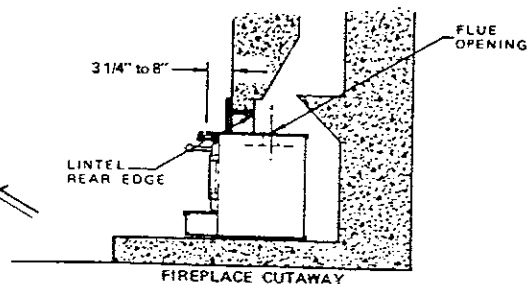


FIG. 14

locating the fireplace

The heater is to be located in an existing solid masonry fireplace. This fireplace should be constructed per NFPA 211. DO NOT INSTALL THIS HEATER IN A FACTORY-BUILT METAL OR ZERO CLEARANCE FIREPLACE.

The fireplace must have a masonry chimney with an approved flue tile liner. Inspect the chimney carefully to be sure that it is clean and that the tile and masonry is in a safe condition.

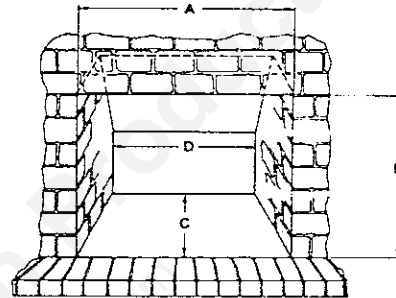


FIG. 15 Fireplace Opening Dimensions

Measure the fireplace width, height and depth as shown in the following Table. The fireplace opening dimensions must fall within the dimensions shown in this Table for proper and safe installation.

FIREPLACE OPENING DIMENSIONS	4200A/4201A FIREPLACE INSERT	
	MORE THAN	LESS THAN
A	32 1/4"	53"
B	24"	35"
C	16"	NO LIMIT
D	27"	NO LIMIT

installation instructions

- DAMPER** - The damper in the masonry fireplace must be removed or blocked open. The handle for the damper should be completely removed so that it cannot accidentally cause the damper to close when the heater is installed.
- LEVELING** - The heater must be level when it is installed to assure a uniform burn and to facilitate a proper fit of the trim to the front of the masonry fireplace. In addition to being level, the heater should be flush with the hearth extension so that the heater can easily slide into or out of the fireplace opening. A method is shown below for making the heater level and flush with the hearth extension:

LEVELING METHOD - If the bottom of your present fireplace is uneven or is lower than the hearth extension, it may be filled with ready mixed concrete. By mixing the concrete a little on the wet side, it will flow and be virtually self leveling.

U. S. Stove also offers a leveler roller kit for use with this fireplace heater (Kit No. 42LR).

If you have an ash cleanout door, it should be lifted enough to sit flush with the new fireplace hearth.

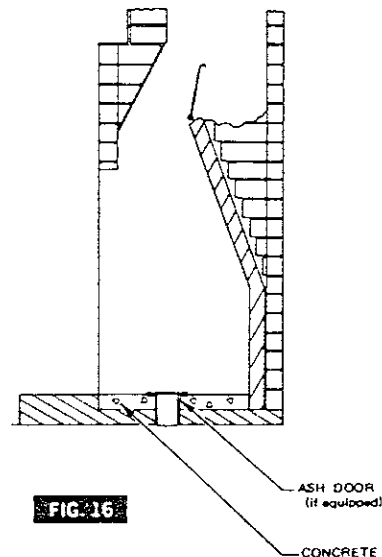


FIG. 16

assembly instructions

After the fireplace hearth has been leveled, the Fireplace Heater should be slid into position. Carefully check to see that the flue opening in the Fireplace Heater is unobstructed and that the smoke leaving the heater can rise directly into the fireplace chimney.

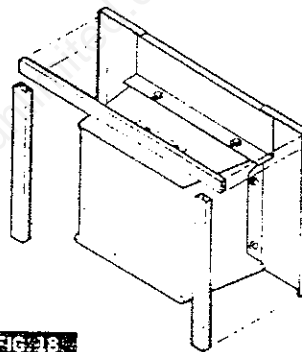
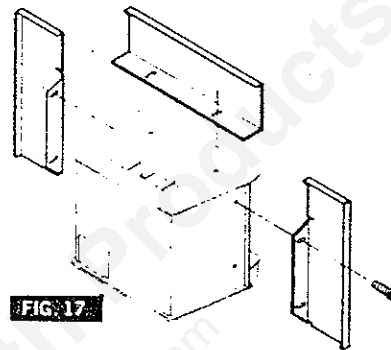
The cast iron Fireplace Heater doors may be removed by lifting them off their hinges. This will reduce the weight of the entire heater making it easier to slide in and out.

TRIM ASSEMBLY

1. Slide the heater into the fireplace to the depth desired within the limits of installation. Fig. 14
2. Place trim panels on the heater taking care to insure panels fit flat with the face of the fireplace. The panels should be aligned with one another to prevent gaps between the panels.
3. Mark the heater at the upper and the lower edge of the trim panels with a pencil.
4. Remove trim panels and slide heater out of fireplace about 12 inches.
5. Replace each panel to the location marked.
6. Using an electric drill and the 7/32" dia. drill bit provided, drill through bracket mounting hole (slot) through cabinet.

CAUTION: DO NOT DRILL THROUGH FIREBOX OTHERWISE SMOKE AND COMBUSTIBLE GASES WILL LEAK INTO ROOM WHEN FIRE IS BUILT IN HEATER.

7. Mount the trim panels using a 3/8" or adjustable wrench and the 1/4-20 self threading screws provided. (Fig. 17).



OPTIONAL

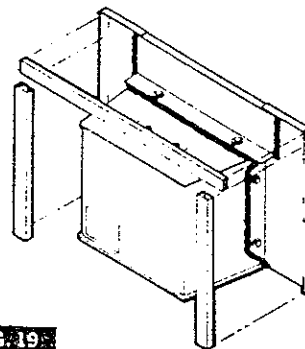
Using furnace cement, carefully run a bead of cement around the backside of the trim to seal all air leaks. (Fig. 19).

GASKET INSTALLATION

The adhesive backed gasket attaches to the back side of the trim that you've just installed. This gasket will seal against the brick front of your fireplace (Fig. 18).

1. Measure and cut the gasket material into three pieces. The two side pieces are 30 1/2" long. The top gasket is cut according to length required.
2. Carefully remove the backing from the top gasket and install it across the full width of the top trim.
3. Remove the backing from each side trim gasket and install them starting from the bottom and working up.
4. Slide the Fireplace Heater back into your fireplace until the gasket seals securely against the fireplace front.

NOTE: If your fireplace front is irregular preventing the gasket from completely sealing, please order additional gasket material. It is important that the fireplace trim seal against the front of your fireplace to obtain proper drawing in the chimney and to prevent heat loss when the Fireplace Heater is not in operation.



(OPTIONAL PROCEDURE)

operating instructions

FUEL - WOOD

Use Hardwood that has been split and air-dried for at least six months to obtain maximum burning efficiency.

CAUTION

When burning wood fire do not elevate fire; build fire directly on hearth.

FUEL - COAL

The Forester 4200A/4201A is also designed to burn anthracite (hard) or bituminous (soft) coal. Use U. S. Stove grate 42CG for burning coal fuel.

NOTE: When 42CG grate is used, air manifold (Key No. 12, page 13, 16 and 17) must be removed.

LIGHTING INSTRUCTIONS.

1. Open the air shutter on each door (Fig. 20B).
2. Open the damper fully. This can be done by pushing the damper arm all the way to the back of the unit. The damper handle is in front just above the doors.
3. Open both doors and place paper and kindling in the firebox.
4. Light the fire and close the doors until the kindling is burning.
5. Open the doors and add fuel as desired.

EXTENDED OPERATION

1. The temperature in the room and the rate at which wood is burned can be controlled by adjusting the air shutter and the damper (Fig. 20B).
2. Fuel should be added in small amounts to give more complete combustion and uniform room temperature.
3. The Fireplace heater may be used with the doors open or closed. When the doors are open, place the fire screen which covers the entire fireplace heater front opening on the hearth extension. Have doors fully open or fully closed. Do not use the heater with the doors partially open.
4. Always open the damper and the air shutters fully before opening the doors. This will improve the chimney draft and reduce the possibility of small amounts of smoke coming into the room when the doors are opened.
5. Empty the ashes regularly. Do not allow ashes to build up. Dispose of hot ashes properly (see Note 14, page 3).
6. Please keep hearth area clean and free from small debris such as bark, etc. The fan on this unit could possibly pull these particles into the chamber surrounding the firebox! These particles could ignite and be blown out the hot air outlets creating a fire hazard.

OPERATING TIPS

This heater is designed to give you the maximum heat output per pound of wood. The tips given here are based on information gathered over the past few years and are offered to ensure you receive the best performance possible from your unit.

KEY CONTROLS:

- 1) The DAMPER is one of the most important controls you have on this unit. If used properly, it can make a major difference in the performance of your unit. When initial fire is started, the damper should be toward the open position (handle pushed back). As the unit heats up and the fire begins burning vigorously, the damper should be pulled toward the closed position (handle pulled forward). BE SURE DAMPER is fully open before opening doors.
- 2) The AIR INLET CONTROLS located on each door are another key factor in the performance of your unit. These can be set at many different settings depending upon the amount of heat desired.
- 3) The BLOWER SYSTEM is the other key factor in the performance of your unit. It should be set according to the amount of heat desired in the various firing modes.

MODES OF OPERATION:

- 1) LOW FIRE MODE (OVERNIGHT): This mode of operation is desirable for long periods of low heat. The (3) key controls listed above would be set as follows:
 - a) DAMPER—half closed to entirely closed position.
 - b) AIR INLETS—closed to slightly open position.
 - c) BLOWER—"automatic" setting with speed control set on low-medium speed.
- 2) MEDIUM FIRE MODE:
 - a) DAMPER—half closed/open
 - b) AIR INLETS—half closed/open
 - c) BLOWER—automatic or manual setting with variable speed medium - high.
- 3) HIGH FIRE MODE:
 - a) DAMPER—half to fully open
 - b) AIR INLET—fully open
 - c) BLOWER—manual or automatic with speed control on high speed

By experimenting with the (3) key controls listed above, you can find the best combination for your particular needs. The various firing modes listed above are for general information in helping you set the unit to your desired heating needs.

MISCELLANEOUS TIPS:

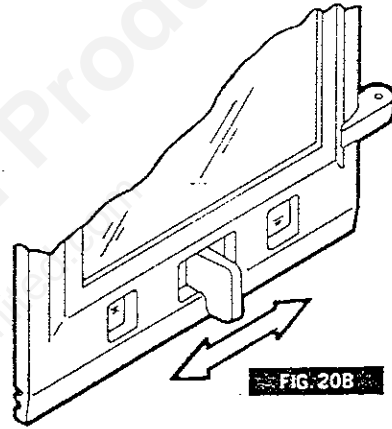
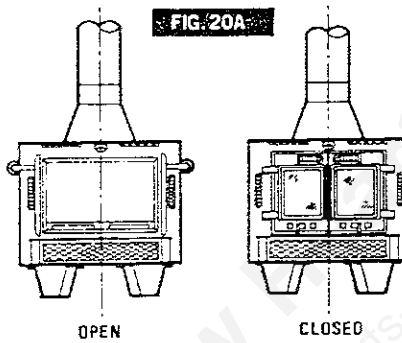
- 1) In some cases, it has been found that by placing wood in the unit from front to back (18" length required) instead of side to side (24" length), the unit will heat more effectively.
- 2) Again, the damper is one of the most important controls on this unit. Its main purpose is to allow you to keep heat in the firebox instead of allowing it to go out the flue. By experimenting with various damper positions, you can find the best position for your particular heating needs.
- 3) It is recommended that the blower be turned off when opening and closing the doors. This will prevent smoke from being blown into the room and will also keep hot air from being blown directly on your hands.

WARNING

Fireplace stoves equipped with doors should be operated only with doors fully open or doors fully closed. If doors are left partly open, gas and flame may be drawn out of the fireplace stove opening, creating risks from both fire and smoke.

CAUTION

OVERFIRING OF THE HEATER MAY CAUSE A HOUSE FIRE. IF A UNIT OR CHIMNEY CONNECTOR GLOWS, YOU ARE OVERFIRING.



ADJUSTING THE AIR SHUTTER

CAUTION

Never use gasoline, gasoline-type lantern fuel, kerosene, charcoal lighter fluid, or similar liquids to start or "freshen up" a fire in this heater. Keep all such liquids well away from the heater while it is in use.

NOTE

During opening and closing of the feed doors of this heater, it may seem that the fit of the doors are "too tight." As the heater is fired, the gasketing "settles" or "seats" itself in the doors. The tight fit at the factory and before the heater's initial firing is to insure a good seal after the gasketing "settles."

chimney maintenance

Creosote and Soot - Formation and Need for Removal

When wood is burned slowly, it produces tar and other organic vapors, which combine with expelled moisture to form creosote. The creosote vapors condense in the relatively cool chimney flue of a slow-burning fire. As a result, creosote residue accumulates on the flue lining. When ignited this creosote makes an extremely hot fire.

When coal is burned, the products of combustion combine with moisture to form a soot residue which accumulates on the flue lining. When ignited, this soot makes an extremely hot fire.

The chimney should be inspected at least twice monthly during the heating season to determine if a creosote or soot build up has occurred.

If creosote or soot has accumulated it should be removed. Failure to remove creosote or soot may cause a house fire, creosote may be removed by using a chimney brush or other commonly available materials.

Chimney fires burn very hot. If the chimney catches fire, immediately call the fire department, then reduce the fire by closing the inlet air control. Pour a large quantity of coarse salt, baking soda or cool ashes on top of the fire in the firebox.

CAUTION:

A chimney fire may cause ignition of wall studs or rafters which you thought were a safe distance from the chimney. If you have a chimney fire, have your chimney inspected by a qualified person before using again.

NOTE

A draft reading of .05 to .06 w.c. is suggested for proper burning of this unit when using wood or bituminous coal as fuel. When using anthracite coal, this draft reading is a minimum reading.

service hints

Do not expect a heater to draw. It is the chimney that creates the draft. Smoke spillage into the house or excessive build up of water or creosote in the chimney are warnings that the chimney is not functioning properly. Correct the problem before using the heater.

Possible causes are:

1. The chimney used for this heater must not be used for any other appliance.
2. The chimney used for this heater must not be used to ventilate cellar or basement.
3. If there is a cleanout door at the base of the fireplace chimney, close it tightly.
4. If the chimney is remaining too cool, water will condense in the chimney and run back into the fireplace. Creosote formation will be rapid and may block the chimney. Operate the heater at a high enough fire to keep the chimney warm preventing condensation.
5. If the chimney does not seem to draw or if

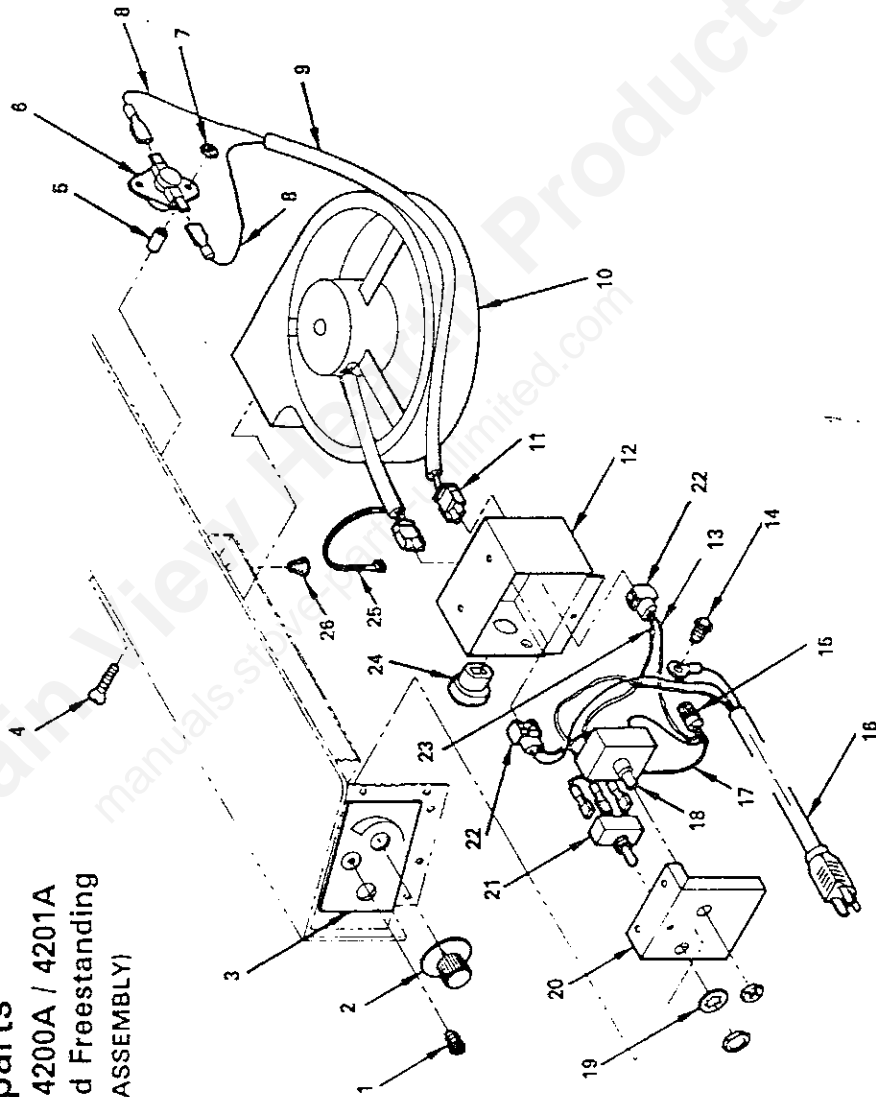
smoke spills into the house from around the trim, be sure that the trim gasket is sealing tightly against the fireplace front.

6. If the fire burns well but sometimes smokes or burns slowly, it may be caused by the chimney top being lower than another part of the house or a nearby tree. The wind blowing over a house or tree falls on top of the chimney like water over a dam, beating down the smoke. The top of the chimney should be at least 2 feet higher than any point of the roof within 10 feet. (Fig. 10)

Glass Cleaning - To clean the glass in your heater, wait until it has cooled. Spray the glass lightly with a mild oven cleaner. Follow instructions of the cleaner manufacturer.

Caring For Painted Parts - The paint baked onto the steel or iron is very durable but it will not stand rough handling or abuse. When installing your heater, use care in handling. Clean with soap and warm water when heater is not hot. DO NOT use any acids or scouring soap as these wear and dull the finish. PAINT DISCOLORATION WILL OCCUR IF THE HEATER IS OVERFIRED. FOLLOW OPERATING INSTRUCTIONS CAREFULLY.

repair parts
Forester 4200A / 4201A
Insert and Freestanding
(BLOWER ASSEMBLY)



repair parts

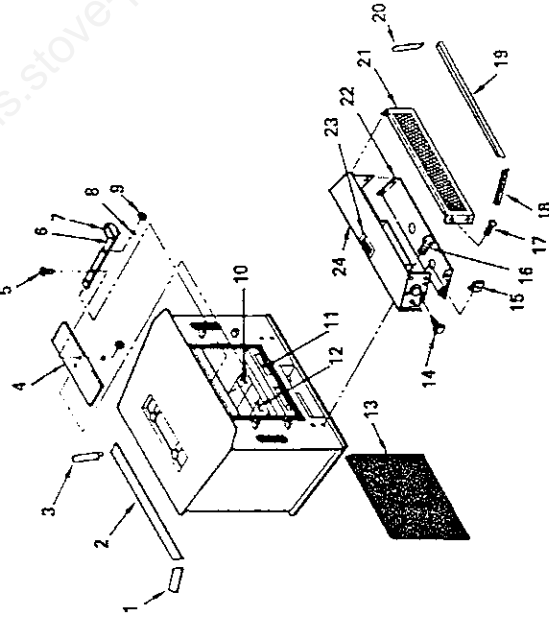
FORESTER 4200A / 4201A INSERT AND FREESTANDING

(BLOWER ASSEMBLY)

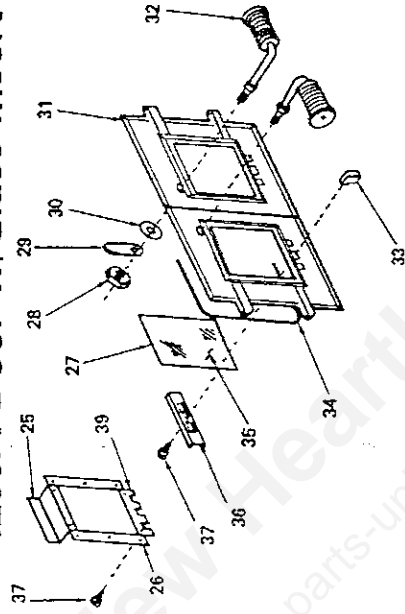
Key No.	Part No.	Description
1	83222	Screw, Sheet Metal 10B x 3/8 HX W HD Z (4 req'd)
2	89157	Knob
3	85370	Label, Control
4	83235	Screw, Machine 8-32 x 1 SL FL HD Z (2 req'd)
5	83848	Spacer (2 req'd)
6	80100	Thermodisc
7	83234	Nut, 8-32 (2 req'd)
8	80122	Jumper Wire (2 req'd)
9	80120	Vinyl Tubing
10	80115	Motor
11	80092	Connector (Male) (2 req'd)
12	22061	Box, Control
13	80119	Jumper, Wire
14	83220	Screw, Thread Cutting
15	80006	Nut, Wire
16	80116	Cord, Power
17	80118	Jumper, Wire
18	80090	Control, Speed
19	83240	Washer, Lock
20	22062	Cover, Control Box
21	80004	Switch, Toggle
22	80094	Connector, (Female)* (2 req'd)
23	80117	Jumper, Wire
24	80109	Relief, Strain
25	80123	Tie, Cable (2 req'd)
26	83245	Screw, Sheet Metal 10A x 3/8 HX W HD Z (Slotted) (2 req'd)

** Includes two terminals per connector.

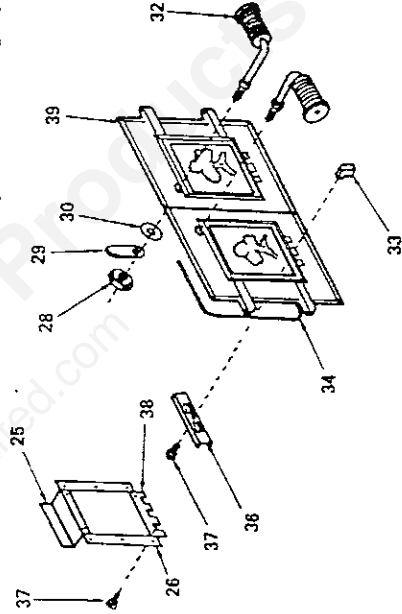
repair parts
Forester 4200A / 4201A
Insert and Freestanding



4200A Door w/Glass Insert



4201A Door w/Cast Iron



repair parts

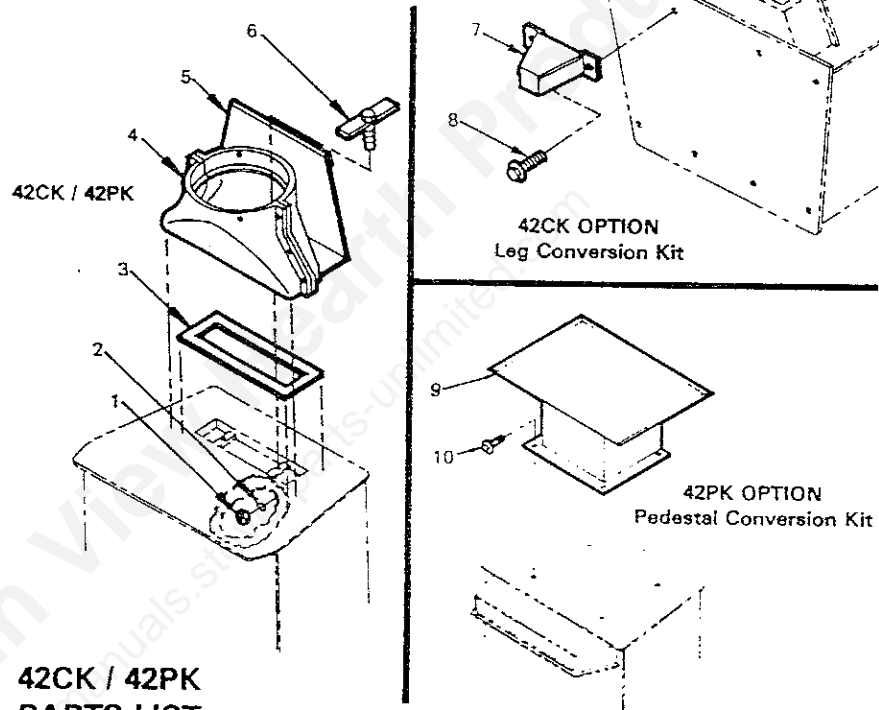
FORESTER 4200A/4201A INSERT AND FREESTANDING HEATER

Key No.	Part No.	Description
1	89221	L/H Cabinet Top Trim (Brass Plated)
2	89223	Cabinet Top Trim (Brass Plated)
3	89222	R/H Cabinet Top Trim (Brass Plated)
4	22049	Damper
5	83102	Screw, Machine 1/4-20 x 1-1/4" SL FH (3 req'd)
6	22048	Arm, Damper Adjustment
7	85388	Nameplate, Forester
8	83002	Washer, Lock 1/4 L (3 req'd)
9	83072	Nut, 1/4-20 (3 req'd)
10	22111	Firebrick Spacer (2 req'd)
11	22072	Manifold, Air
12	89066	Brick, Fire (10 req'd)
13	67793	Screen, Fireplace (41FS)
14	83222	Screw, Sheet Metal #10B x 3/8 HX W HD (4 req'd)
15	83192	Clip, Tinnerman (4 req'd)
16	83188	Screw, Machine 1/4-20 x 3/4 HX HD (4 req'd)
17	83005	Screw, Machine #10 - 24 x 1/2 PH HD BLK (4 req'd)
18	89224	L/H Hearth Trim (Brass Plated)
19	89219	Hearth Trim (Brass Plated)
20	89233	R/H Hearth Trim (Brass Plated)
21	68111	Grill, Hearth Extension
22	22076	Panel, Hearth Extension Bottom
23	85375	Hearth, Label
24	68077	Hearth Extension
25	68016	Retainer, Glass Top
26	21781	Retainer, Glass (side) (2 req'd)
27	88047	Gasket, Glass
28	83243	Nut, Lock 7/16 - 20 NF (Thin Top)
29	22083	Latch, Door
30	83835	Washer, Spacer (2 req'd)
31	42SG	Square Doors - Glass Insert (Both doors, complete)
32	89189	Handle, Door (2 req'd)
33	21779	Knob, Draft Control
34	21969	Gasket, Door
35	89155	Glass
36	21876	Slide, Draft
37	83202	Screw, Machine #10-24 x 3/8 RD PH HD (11 req'd)
38	21877	Retainer, Glass Bottom
39	42SC	Square Doors - Solid Cast (Both doors complete)
*	83257	Fastener, Pushnut (2 req'd)
*	85437	Owners Manual

* Not Shown

Forester 4200A / 4201A

Free Standing Fireplace Heater Leg / Pedestal Conversion Kits



42CK / 42PK PARTS LIST

KEY	PART NO.	DESCRIPTION	QTY.
1	83238	Nut, Hex 3/8 - 16	2
2	83237	Washer, Lock 3/8 (split)	2
3	88054	Gasket, Flue	1
4	22206	Flue Adapter Half (8")	2
5	22205	Shield, Flue Adapter	1
6	67920	Flue, Tie-Down	2
7	67840	Legs	4
8	83236	Screws, Thread cutting 1/4-20 x 3/4 HX W (Type F)	8
9	67924	Base Pedestal	1
10	83236	Screws, Thread Cutting 1/4-20 x 3/4 HX W (Type F)	4
11*	89185	Drill, Twist (Black Type F) (7/32" dia.)	1

* Not Shown

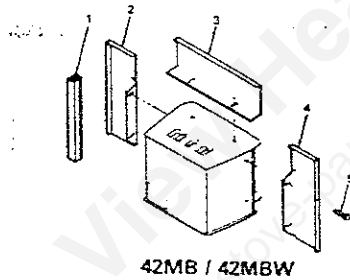
Forester 4200A / 4201A Fireplace Insert

KIT #42MB — MATTE BLACK TRIM
 KIT #42MBW — MATTE BLACK TRIM (X-WIDE)

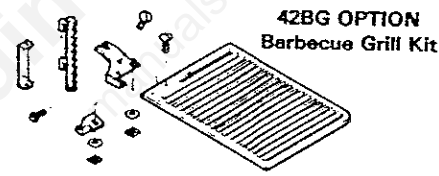
PARTS LIST

KEY	PART NO.		DESCRIPTION	QTY.
	42MB	42MBW		
1	88055	88055	Gasket (10' Roll)	1
2	67818	67904	Trim, R/H	1
3	67816	67816	Trim, Top	1
4	67817	67903	Trim, L/H	1
5	83236	83236	Screws, Thread cutting 1/4-20 x 3/4 HX W (Type F)	6
6*	88056	88056	Cement, Furnace (4 oz. Tube) (Optional not supplied with kit)	1
7*	89185	89185	Drill, Twist	1

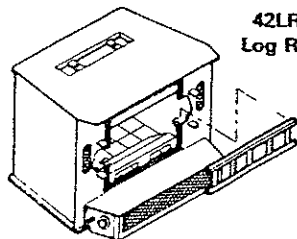
* Not Shown



42MB / 42MBW



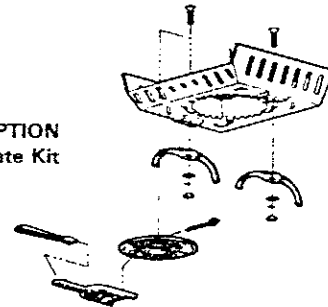
42BG OPTION
Barbecue Grill Kit



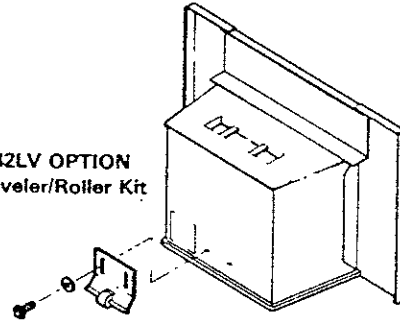
42LR OPTION
Log Retainer Kit

Optional Kits For Forester 4200A / 4201A Heater

42CG OPTION
Coal Grate Kit



42LV OPTION
Leveler/Roller Kit



NOTE: If you decide to order any of the "options" shown in this manual either:
 (A) Contact your dealer.
 (B) Contact the factory as listed on the back cover.

LIMITED WARRANTY

FIREPLACE INSERT/FREESTANDING HEATERS

WARRANTY:	The United States Stove Company warrants its solid fuel fireplace insert/freestanding heaters against burn-out or cracking of any steel or cast iron parts, failure of door glass, and failure of electrical components of the blower.
TIME PERIOD:	The warranty period extends 20 years from date of purchase by original owner, on steel parts, three years from date of purchase by original owner on cast iron parts, one year from date of purchase by original owner on door glass and electrical components of the blower.
CLAIM PROCEDURE:	Any defects relating to above should be reported to United States Stove Company, giving description and pertinent date. Include proof of purchase, which will be returned on request.
OUR RESPONSE:	Providing the heater has been installed and used in accordance with the owners manual supplied with the heater, The United States Stove Company will either: (1) Replace the defective part free of charge, including payment of any labor charges, or (2) Replace the heater free of charge, including payment of any labor charges.
NOT COVERED:	Smoking problems are not covered under this warranty. Inadequate draft is generally due to the design or installation of the flue system.
WARRANTOR:	United States Stove Company, P. O. Box 5349, 3500 N. Hawthorne St., Chattanooga, TN 37406
NOTE:	This warranty gives you specific legal rights, and you may also have other rights which vary from state to state.

owners manual

HOW TO ORDER REPAIR PARTS AND OPTIONAL KITS

THIS MANUAL WILL HELP YOU TO OBTAIN EFFICIENT, DEPENDABLE SERVICE FROM THE HEATER, AND ENABLE YOU TO ORDER REPAIR PARTS CORRECTLY.

KEEP IN A SAFE PLACE FOR FUTURE REFERENCE.

WHEN WRITING, ALWAYS GIVE THE FULL MODEL NUMBER WHICH IS ON THE NAMEPLATE ATTACHED TO THE BACK OF THE HEATER.

WHEN ORDERING REPAIR PARTS OR OPTIONS, ALWAYS GIVE THE FOLLOWING INFORMATION AS SHOWN IN THIS LIST:

- | | |
|-------------------------|------------------------------------|
| 1. The PART NUMBER | 3. The MODEL NUMBER: 4200A / 4201A |
| 2. The PART DESCRIPTION | 4. The SERIAL NUMBER _____ |

UNITED STATES STOVE COMPANY

P. O. Box 5349 — Chattanooga, Tennessee 37406 — (615) 698-3435