



CAUTION:
 Read All Instructions
 Carefully Before Starting
 The Installation.

42BT Brass Trim Kit INSTRUCTION SHEET

(for Forester 4100 and 4200 Room Heaters)

TOOLS REQUIRED:

- 1/4" Electric Drill
- 9/64" Diameter Drill Bit
- Pencil
- 12" Ruler or Tape Measure
- Screwdriver (Phillips Medium or #2)

INSTALLATION:

Before beginning installation, be sure fireplace heater and its contents have thoroughly cooled.

Also you may want to slide the fireplace heater out of the fireplace opening about 12 inches for easier installation.

1. For Brass Trim Kit to fit properly to trim panels, the distance from the top of the front edge of the fireplace heater to the front face of the trim panels must be 7-1/4" (See Figure 2). If present trim panels are not in this location, move them accordingly. For assistance in relocating trim panels, see Owners Manual under "Trim Panel Assembly Instructions."

2. Remove brass trim and parts from carton. Carefully take brass trim and fold short ends (32-1/8" long) down to make an upside down "U" (See Figure 1).
 NOTE: Once trim has been folded down, do not try to fold again, joints could fracture, split and separate.

3. Place brass trim over the outer edge of the trim panels as shown in Figure 3. Then mark (8) hole locations on trim panels.

4. Drill marked hole locations with an electric drill using a 9/64" diameter drill bit.

5. Secure brass trim to trim panels with (8) #8 X 1/2" long brass flathead sheetmetal screws that are provided.

6. Remove protective plastic coating that is covering brass trim.

7. Slide fireplace heater back into fireplace opening making sure gasket once again seals securely against the fireplace front.

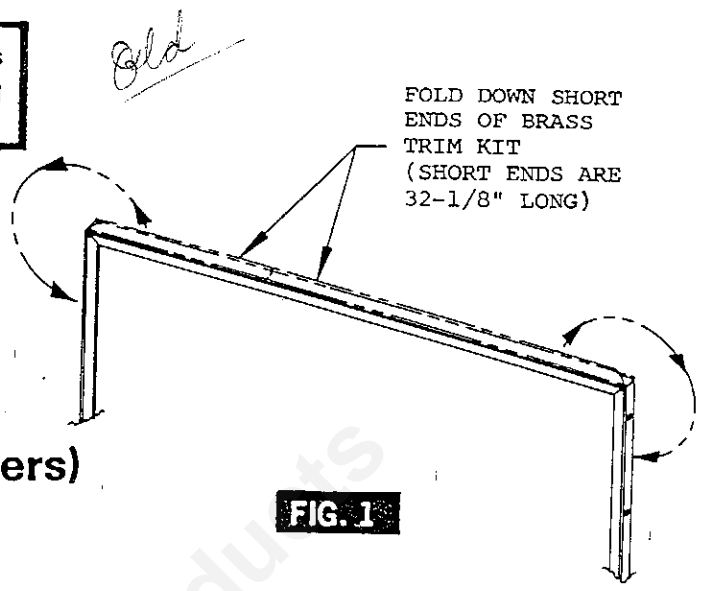


FIG. 1

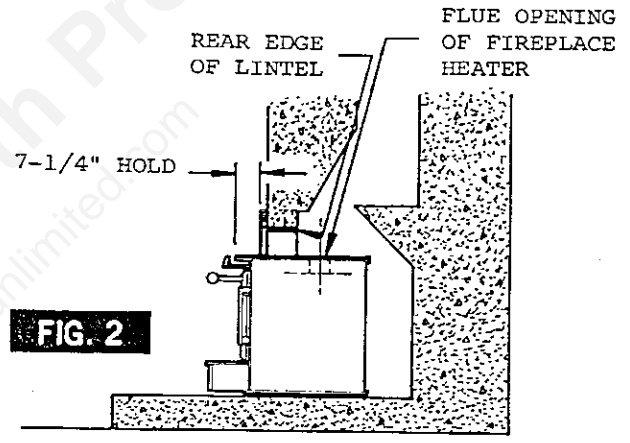


FIG. 2

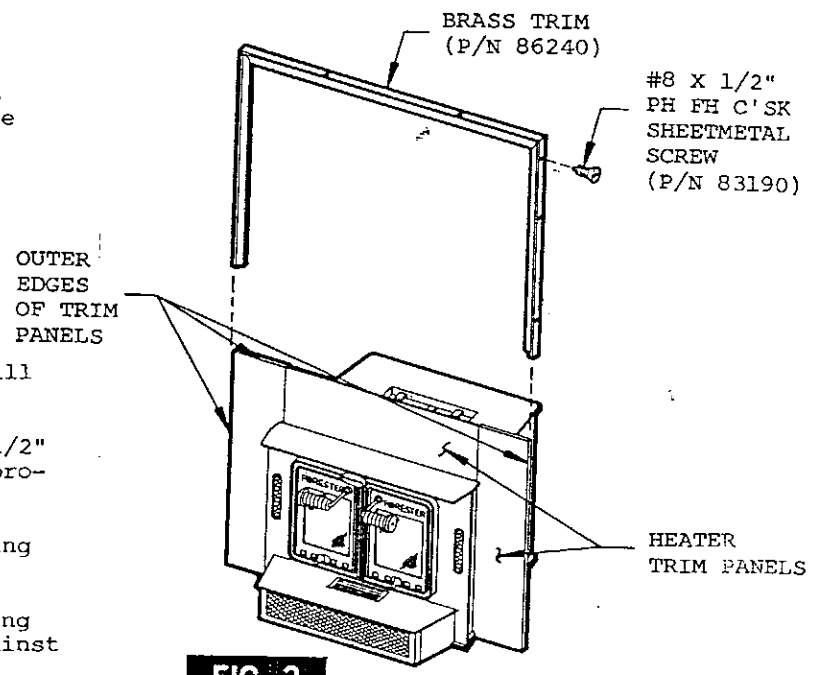


FIG. 3

UNITED STATES STOVE COMPANY
 3500 North Hawthorne Street
 Chattanooga, Tennessee 37406
 (615) 698-3435