



43RBK Reduce Boot Kit



Instruction Sheet
(For Forester 4300 Room Heaters)

TOOLS REQUIRED:

Flat-Head Screwdriver
3/8" Box, Open End or Small Adjustable Wrench
Gloves

FLUE ADAPTER INSTALLATION

1. Remove flue adapter halves, flue adapter shield and parts from carton.
2. Attach flue adapter shield to one of the two flue adapter halves using (2) of the #10 lockwashers and the #10-24 nuts provided. (See figure 1.)
3. Secure the flue adapter halves together at the flanges with the six (6) #10-24x1 (black) round head machine screws, lockwashers, and hex nuts provided.
4. Place flue gasket on flue adapter and install assembly into flue as shown in figure 2.
5. Install flue tie down bars so that the ends rest on the inside shoulders of the flue adapter. The bolts welded to the bars should go through the holes provided in the brackets welded to the inside of the flue.
6. Secure assembly with 3/8-16 nuts and lockwashers provided.
7. Hold tie down bars in place and tighten nuts with an adjustable or 9/16" wrench.

KEY	ITEM	PART #	QTY.
1	Flue Gasket	88054	1
2	3/8" Lockwasher	83237	2
3	3/8-16 Hex Nut	83238	2
4	10-24x1 Machine Screw	83251	6
5	#10x3/4 Sheet Metal Screw	83335	4
6	Flue Adapter Halve	22206	2
7	Flue Tie Down	67920	2
8	Flue Adapter Shield	22205	1
9	#10-24x3/4 Machine Screw	83183	2
10	10-24 Kep Nut	83244	8
*	1/4-20x3/4 Screw	83236	8
*	7/32dia. Drill Bit	89185	1

*NOT SHOWN

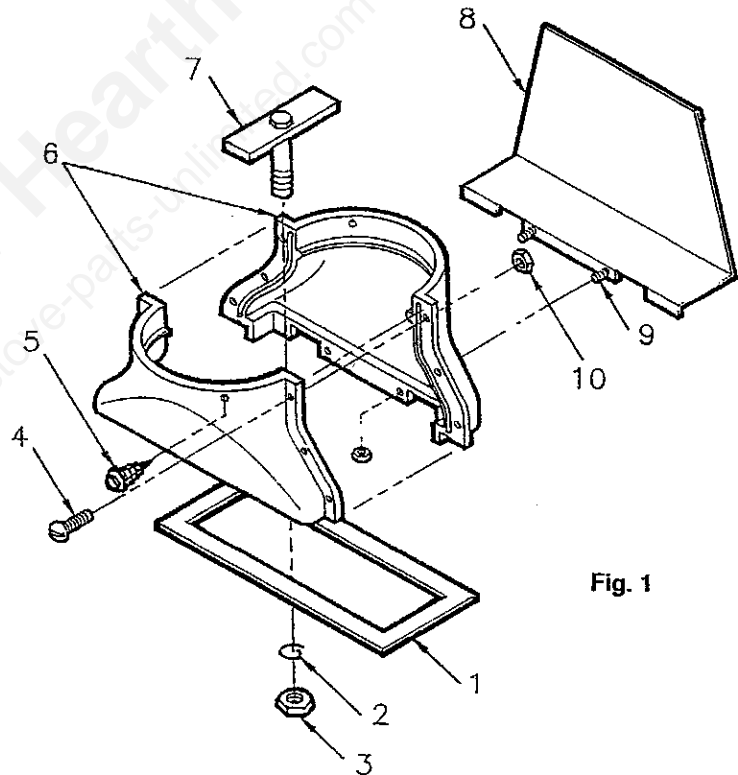


Fig. 1

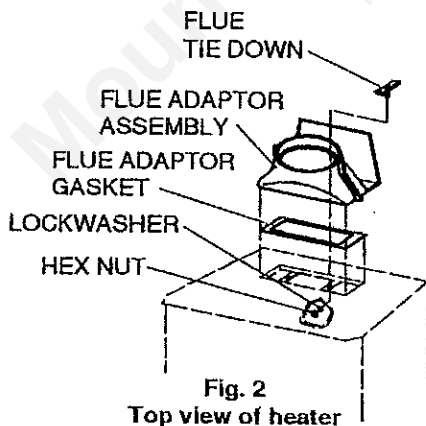


Fig. 2
Top view of heater

UNITED STATES STOVE COMPANY

227 INDUSTRIAL PARK ROAD • P.O. BOX 151 • SOUTH PITTSBURG, TN 37380 • (423) 837-2100

851220 11/96