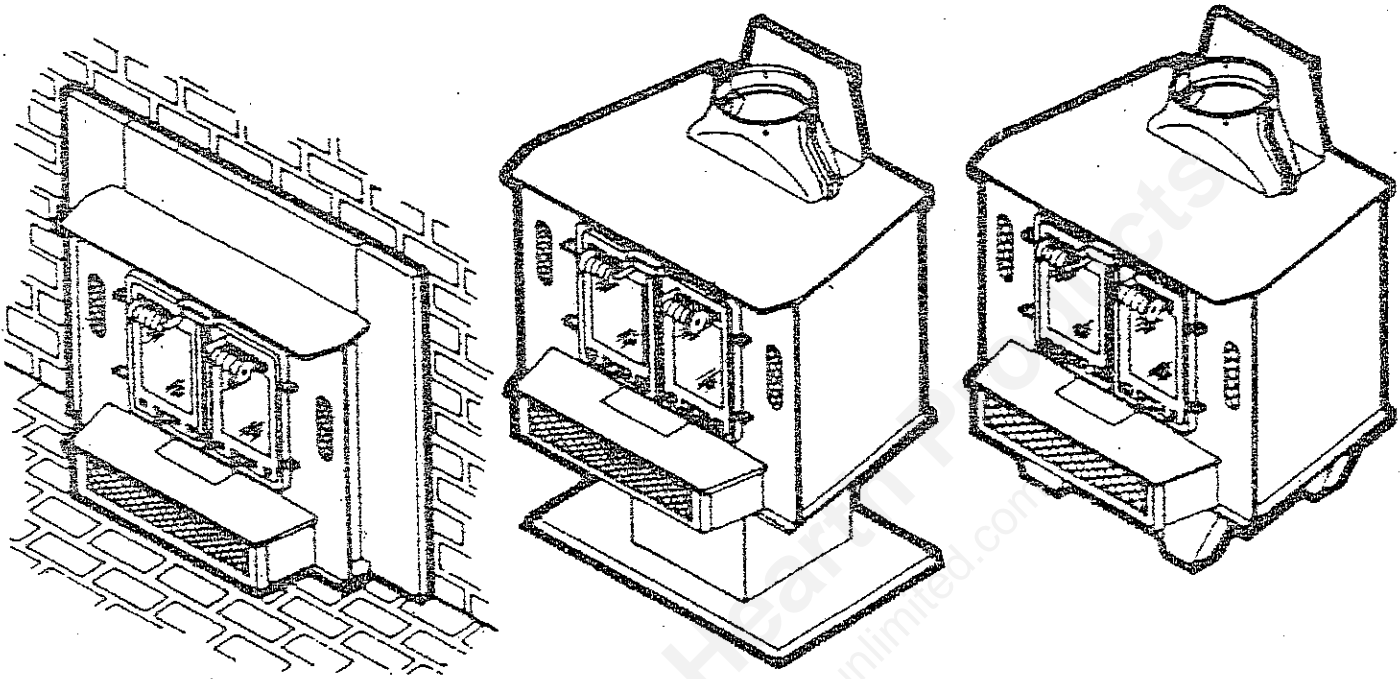


owners manual Forester Room Heater



Model 4300/4301/4303
FOR FREE STANDING, PEDESTAL AND INSERT INSTALLATION IN
MASONRY FIREPLACES

CAUTION:

Read All Instructions
Carefully Before Starting The
Installation or Operating
The Heater.
Improper Installation Could
Void Your Warranty!



SAFETY NOTICE:

If this heater is not properly installed, a house fire may result. For your safety, follow the installation instructions. Contact local building or fire officials about restrictions and installation inspection requirements in your area.

DO NOT USE THIS HEATER IN A MOBILE HOME OR TRAILER

Save This Manual
For Future Reference.

•Assembly
•Installation

•Operation
•Repair Parts

UNITED STATES STOVE COMPANY
111 Industrial Dr.



CONGRATULATIONS!

You've purchased one of America's Finest Wood and Coal Burning Heaters.
 By heating with wood you're helping CONSERVE AMERICA'S ENERGY!
 Wood is our Renewable Energy Resource. Please do your part to preserve our wood supply.
 Plant at least one tree each year. Future generations will thank you.

tools and materials needed

TOOLS

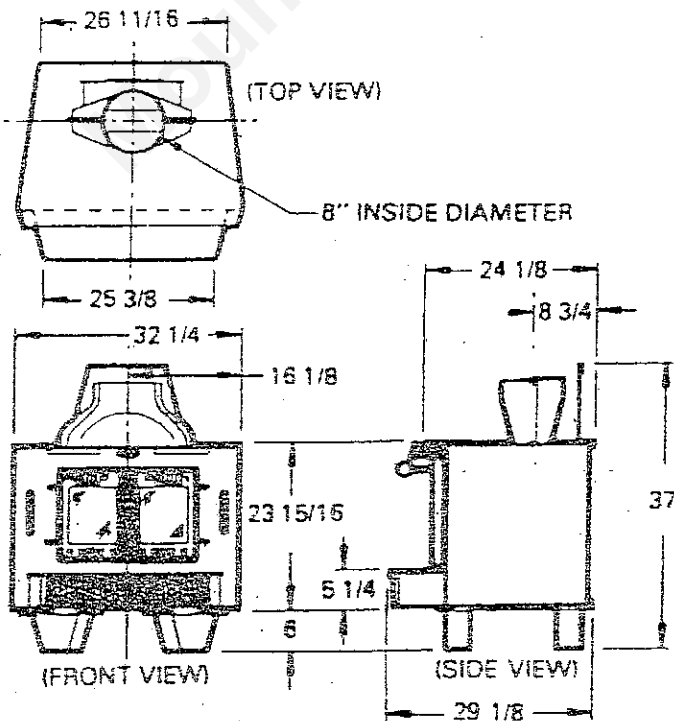
- Pencil
- 6 Foot Folding Rule or Tape Measure
- Electric Drill (1/4")
- Drill Bit (For Sheet Metal Screws)-1/8" Dia.
- Screw Driver (Blade-Type)
- 3/8" Box, Open End or Small Adjustable Wrench
- Gloves

- 9/16" box, open end or small adjustable wrench
- 5/16" Nut Driver or 5/16" Socket w/Ratchet

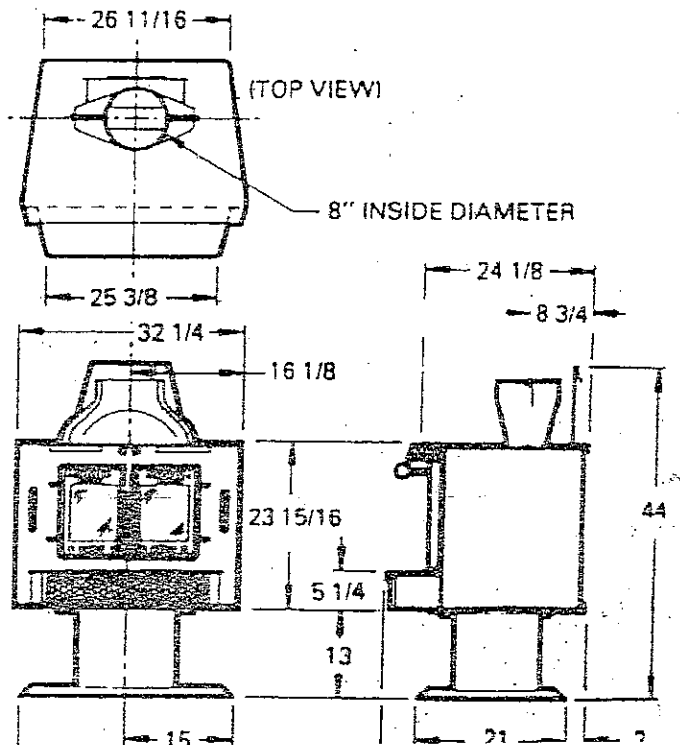
- ### MATERIALS - FREE STANDING / PEDESTAL HEATER
- 8" Pipe, 8" Elbow, Collar and Thimble; as required (24 gauge min.)
 - Sheet Metal Screws - (No.10A x 1/2")
 - 8" Inside diameter Underwriters Laboratories (U.L.) Listed Residential Solid Fuel Factory-Built Triplewall Chimney or existing masonry chimney.
 - Furnace Cement (Manufacturer Recommends: Rutland Black Code 78 or equivalent).

- ### MATERIALS-FREESTANDING / PEDESTAL & INSERT
- Floor Protector as specified on Page 4 or Page 7 of this manual.

Forester 4300 / 4301 / 4303 Free Standing Room Heater Dimensions



Forester 4300 / 4301 / 4303 Pedestal Room Heater Dimensions



Rules for Safe Installation and Operation

Read these rules and instructions carefully

SAFETY NOTICE: If this heater is not properly installed, a house fire may result. For your safety, follow the installation directions. Contact local building or fire officials about restrictions and installation inspection requirements in your area.

UNLOADING TIPS The 4300/4301/4303 Heater has a total weight of approximately 350 lbs. Some tips on how to best get this heater to the desired installation location are as follows:

1. Remove doors from front of heater by lifting straight up when doors are open.
2. Remove firebrick and air manifold from inside of firebox.
3. Remove front grill on hearth assembly by loosening the (4) phillips head screws (2 on each side). (This is highly recommended to keep from bending this grill during handling). The above steps will take approximately 70-75 lbs of weight out of the heater and should better facilitate locating the unit for installation.

1. Check your local building and fire codes. The installation must comply with their rulings.
2. Install the Fireplace Insert in a masonry fireplace only with a masonry chimney that is constructed in accordance to NFPA 211. **DO NOT** install the Fireplace Insert in a factory-built metal fireplace (Zero Clearance). **DO NOT** install this heater in a mobile home or trailer. **DO NOT** connect a wood burning heater to an aluminum Type B gas vent. This is not safe and is prohibited by the National Fire Protection Association Code.
3. Always connect this heater to a chimney and vent to the outside. Never vent to another room or inside a building.
4. This freestanding ROOM heater requires a masonry or a UL Listed Residential Type and Building Heating Appliance Chimney.
5. Be sure the masonry fireplace is clean and in safe condition. Have the chimney inspected by the fire department or a qualified inspector. Your insurance company may be able to recommend a qualified inspector.
6. Make sure the masonry chimney is high enough to give a good draft.
7. Inspect the chimney twice monthly during

9. **CAST IRON PARTS MUST BE "SEASONED" TO AVOID CRACKING. BUILD ONLY SMALL FIRES DURING THE FIRST FEW DAYS OF USE.**

10. To prevent injury, do not allow anyone to use this heater who is unfamiliar with the correct operation of the heater.
11. For additional information on using your ROOM heater safely, obtain a copy of the National Fire Protection Association (NFPA) publication "Chimneys, Fireplaces and Solid Fuel Burning Appliances" NFPA 211. The address of the NFPA is Batterymarch Park, Quincy, Ma 02269.
12. **DISPOSAL OF ASHES:** Ashes should be placed in a metal container with a tight fitting lid. The closed container of ashes should be placed on a noncombustible floor or on the ground, well away from all combustible materials pending final disposal. If the ashes are disposed of by burial in soil or otherwise locally dispersed, they should be retained in the closed container until all cinders have thoroughly cooled.
13. Keep the ashpit section free of excess ashes.
14. Observe clearances to combustible materials specified in this manual to avoid a fire hazard.
15. The metal used in construction of the heater has a light coating of oil. This could give off smoke and/or odors when heater is used for the first couple of times. This should disappear after a short period of time. Once this burn-off has occurred, it should not reoccur.

CARING FOR PAINTED PARTS - This heater has a painted outside jacket, which is durable but it will not stand rough handling or abuse. When installing your heater, use care in handling. Clean with soap and warm water when heater is not hot. **DO NOT** use any acids or scouring soap, as these wear and dull the finish. **PAINT DISCOLORATION WILL OCCUR IF THE HEATER IS OVERFIRED.**

FOLLOW OPERATING INSTRUCTIONS

Locating The Free Standing Forester

4300/4301/4303 Room Heater

AS A LOCATION IS SELECTED, KEEP THE FOLLOWING IN MIND:

1. Keep the chimney connection as short as possible. The heater must have its own chimney flue. Do not connect any other appliance to the same flue.
If there is no chimney near where you wish to place the heater, you can use a UL Listed Residential Solid Fuel Factory-Built Chimney (Fig. 10).
2. Place the heater on solid masonry or solid concrete. When the heater is used on a combustible floor, use a non-combustible floor protector of 3/8" thick milboard having a thermal conductivity of $K=0.84$ BTU in. Ft. Hr. deg. F. with 28-gauge sheet metal or a

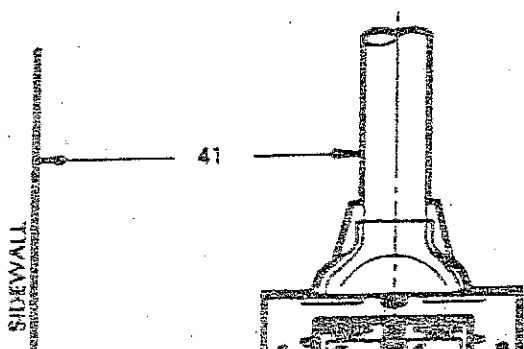
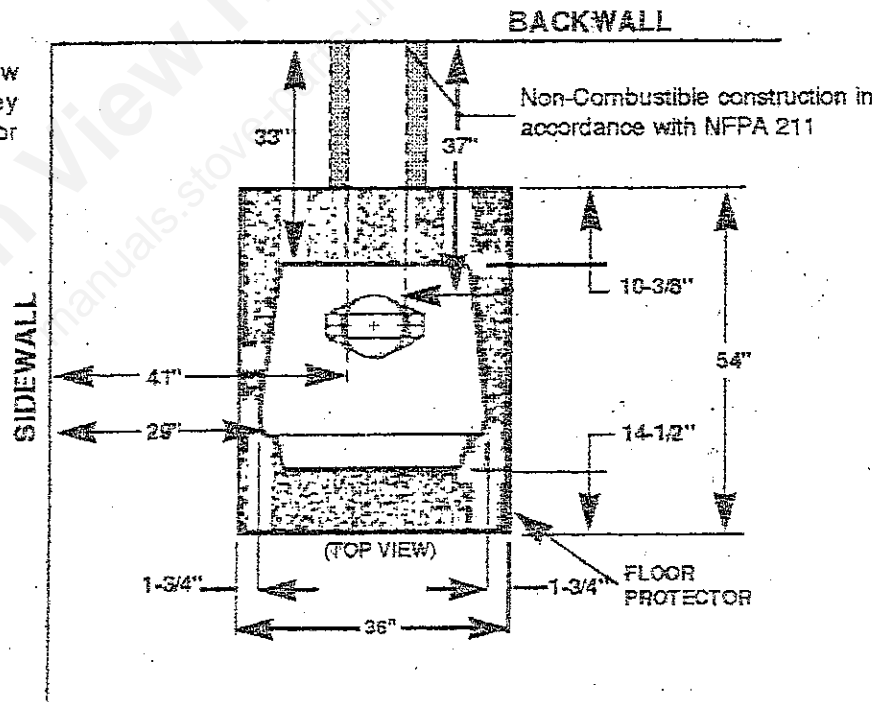
UL listed floor protector. Have the floor protector extend 14-1/2" in front of the hearth extension 1-3/4" to each side, 10-3/8" to the rear, underneath and 2" to each side of the chimney connector. (SEE FIG 2).

3. Check Figures 2, 3 & 4. You should have at least the clearances shown from the heater and the connector pipe to combustible surfaces. If you have a solid brick or stone wall behind your heater, you can place the heater as close as you wish to the wall. If the wall is only faced with brick or stone, treat it as a combustible wall.

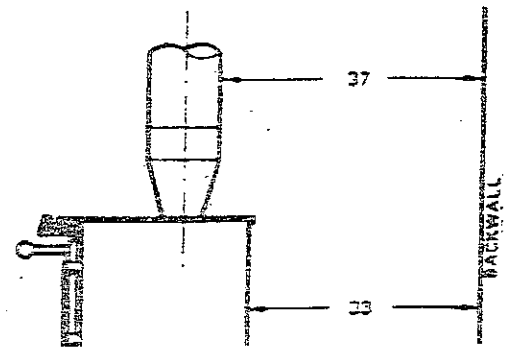
MINIMUM CLEARANCE TO COMBUSTIBLE WALLS

Dashed lines show straight out chimney connector and floor protector.

Fig. 2



CAUTION
Keep furnishings and other combustible materials away from the heater.



Assembly Instructions For Forester 4300/4301/4303 Free Standing Room Heater

LEG INSTALLATION

1. Make sure the doors, firebrick, air manifold and/or other loose objects are removed from the firebox.
2. Rotate the heater backwards on to the back side.
3. Position the leg assembly on the bottom of the heater as shown in Fig. 5. Mark the hole locations using the leg assembly holes as locators. Using an electric drill and the drill bit (7/32" dia.) provided, drill (8) holes in the bottom of the cabinet in the locations shown in Fig. 5.
4. Mount the four legs (leg covers towards front of heater) using the (8) 1/4-20 self-threading screws provided, with and adjustable or 3/8" wrench.
5. Rotate heater upright on legs and place heater in desired location.
6. Install fire brick and air manifold as shown in Fig. 21.

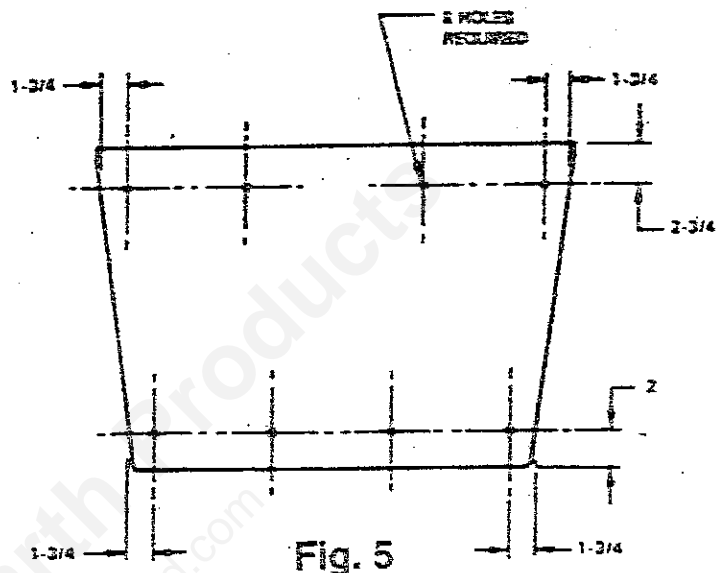


Fig. 5

FLUE ADAPTER INSTALLATION

1. Place flue gasket on flue adapter and install assembly into flue (Fig. 7).
2. Install flue tie down bars so that the ends rest on the inside shoulders of the flue adapter. The bolts welded to the bars should go through the holes provided in the brackets welded to the inside of the flue.
3. Secure assembly with 3/8-16 nuts and lockwashers provided.
4. Hold tie down bars in place and tighten nuts with an adjustable or 9/16" wrench.
5. Install Doors.

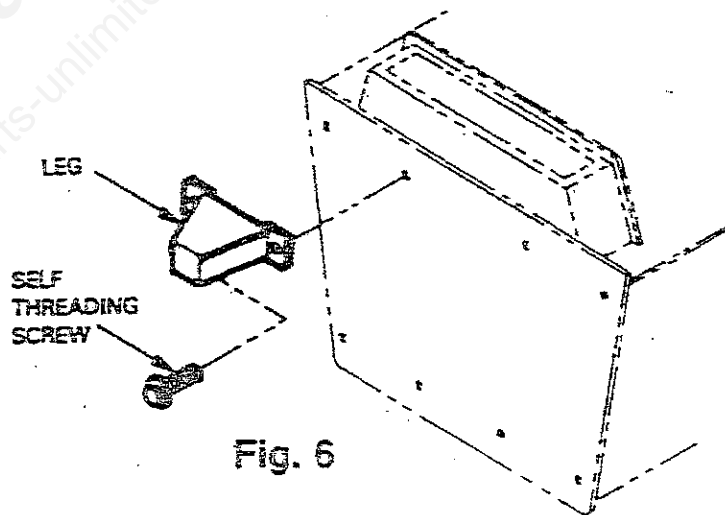


Fig. 6

DOOR INSTALLATION

When facing the front of the heater, the left hand and right hand doors are to be mounted on the hinge pad rods that are located on the front of the heater, by sliding the door hinge pads that are on the door over the rods. The left hand door is mounted to the left hand hinge pad rods and the right hand door is mounted to the right hand hinge pad rods.

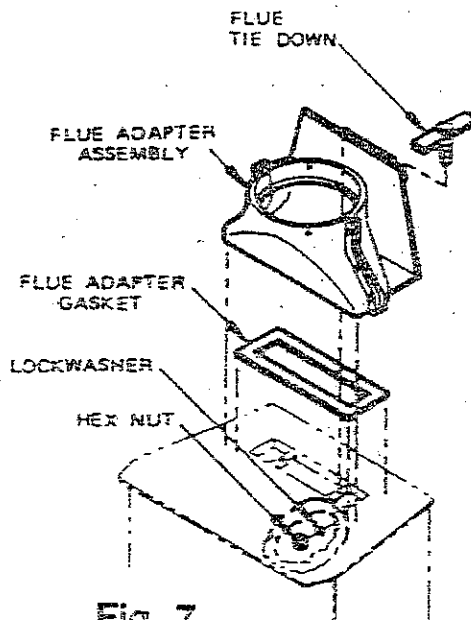


Fig. 7

Chimney Connection

Two basic types of chimneys are approved for use with solid fuel. Factory-built and masonry. Factory-built chimney must comply with ULCS 629 standard.

Do not expect your stove or furnace to create draft. **Draft is not a function of the appliance.** Draft is purely a function of the chimney. Modern stoves and furnaces are much more air-tight and efficient than those of the past, and, therefore, require greater draft. A minimum of .06 measured in water column (gauges to measure chimney draft are readily available at stove shops and are economical to purchase or rent) is required for proper drafting to prevent back-puffing, smoke spillage, and to maximize performance.

Chimneys perform two functions - one of which is apparent: The chimney provides a means for exhausting smoke and flue gases resulting from combustion of the fuel. Secondly, though, the chimney provides "Draft" which allows oxygen to be continuously introduced into the appliance, so that proper combustion is possible. As of April 1, 1987, all wood heaters and furnaces manufactured by United States Stove Company should be installed using a factory built chimney that meets the "Type HT" requirement of UL 103 (when a factory-built chimney is used).

FLUE CONNECTION—NON-COMBUSTIBLE WALL

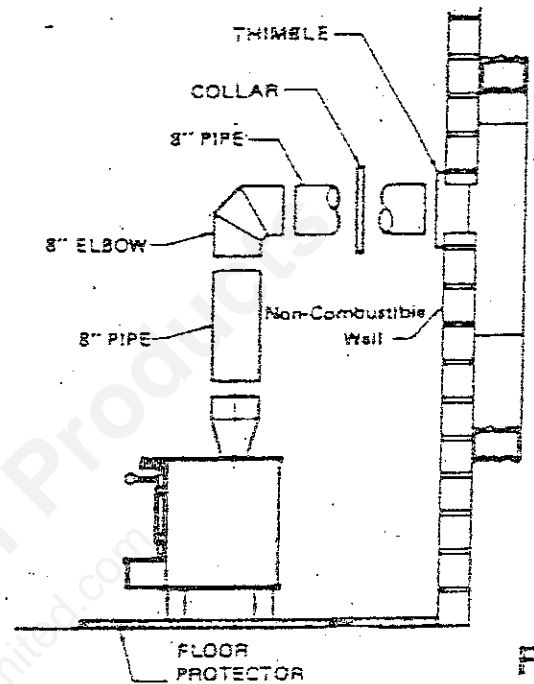


Fig. 8

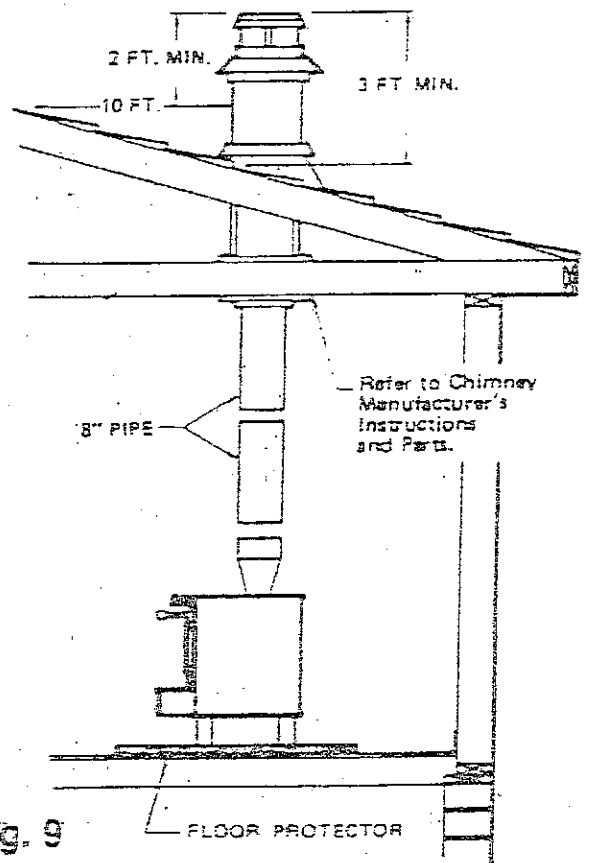


Fig. 9



Forester 4300 Fireplace Insert Dimensions

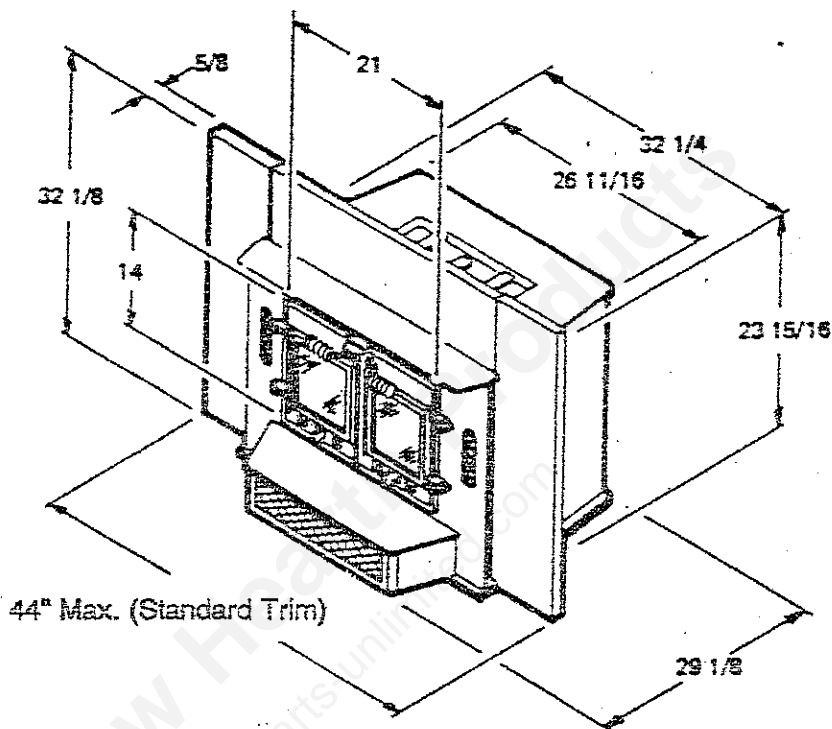


Fig. 11

Minimum Clearances To Combustible Surfaces

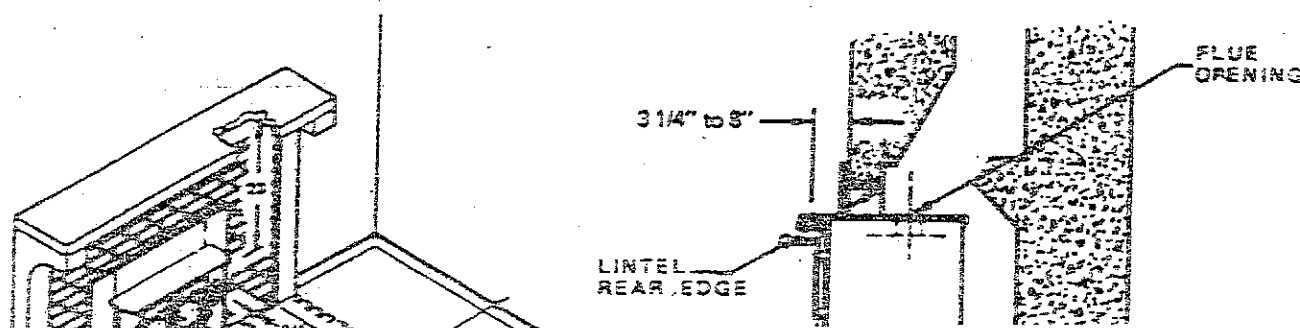
The clearances shown in Fig. 12 below must be maintained between the edge of the Fireplace Insert and decorative wooden mantels or mantel supports. If the wood trim or mantel of your fireplace is closer to the insert than these dimensions, they must be moved to at least the dimensions shown. Failure to observe these clearances could result in ignition of the mantel or wood trim.

The brick or stone hearth extension of your fireplace must extend a minimum of 16" in front of the Fireplace Insert. Clearance to any combustible wall must be a minimum of 22" as shown in Fig. 12.

CAUTION
KEEP FURNISHINGS AND OTHER
COMBUSTIBLE MATERIALS
AWAY FROM THE FIREPLACE
INSERT.

IMPORTANT: (Fig. 13)

The distance from the fireplace front surface to the front edge of the insert top must be within the dimensions shown. Make sure the flue opening on the fireplace insert completely clears the lintel of the fireplace. This will insure a proper draft.



Locating the Fireplace Insert

The Fireplace Insert is to be located in an existing solid masonry fireplace. This fireplace should be constructed per NFPA 211. **DO NOT INSTALL THIS FIREPLACE HEATER IN A FACTORY-BUILT METAL OR ZERO CLEARANCE FIREPLACE.**

The fireplace must have a masonry chimney with an approved flue tile liner. Inspect the chimney carefully to be sure that it is clean and that the tile and masonry is in a safe condition.

Measure the fireplace width, height and depth as shown in the following Table. The fireplace opening dimensions must fall within the dimensions shown in this Table for proper and safe installation.

Installation Instructions

- DAMPER** The below illustration shows the correct manner of installation as provided in NFPA rule 211, for positive and/or direct connection. In this method, which meets all applicable building codes, the Damper in the masonry fireplace must be removed or blocked permanently open. The handle for the damper should be completely removed.
- Any sharp bends in the liner at the top of the fireplace (dome region) should be removed as an aid to installation, and particularly where liner pipe is to be used.
- Install the 45-DK kit in accordance with the enclosed instructions. Note in your planning that this kit may be turned 180°-degrees for a rear-thrust or forward-thrust, depending on your application.
- Many older fireplaces and/or masonry chimneys are not suitable for fireplace inserts and may require considerable modification, in order to bring them up to code specifications. Refer to the proper local authorities if you have any question or reservation.
- LEVELING**- The fireplace insert must be level when installed to assure a uniform burn and to facilitate a proper fit of the trim to the front of the masonry fireplace. In

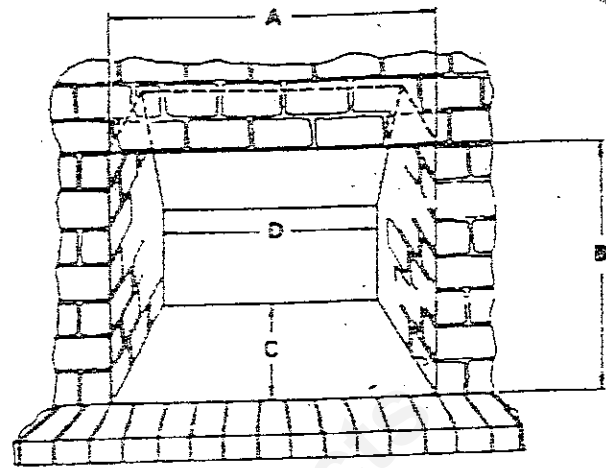
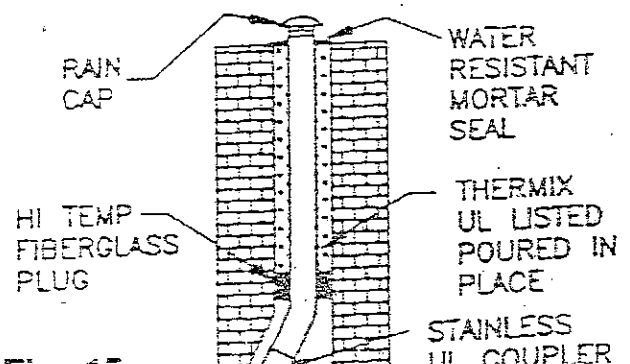


Fig. 14 Fireplace Opening Dimensions

FIREPLACE OPENING DIMENSIONS	FIREPLACE INSERT	
	MORE THAN	LESS THAN
A	32½"	44"
B	24"	30"
C	16"	
D	27"	

- CHIMNEY**- Your chimney should be properly lined and sized to the appliance. If not, it is a good idea to have the chimney relined commercially with UL Classified stainless liner pipe, new refractory, or new clay liner.
- REMEMBER**- the best method of installation is the one shown on the following drawing. If this is not practical, you should, as a very minimum, utilize the 43-DK Chimney Insert Connector Kit, along with a locally available stainless steel coupler and starter pipe, vented into the chimney at least up to the chimney liner itself. This is commonly referred to as positive-engagement of the throat or venturi of the fireplace, and should be accomplished with a positive connection, or at the very least, high temperature fiberglass plug.



Assembly Instructions

After the fireplace hearth has been leveled, the Fireplace insert should be slid into position. Carefully check to see that the flue opening in the Fireplace insert is unobstructed and that the smoke leaving the insert can rise directly into the fireplace chimney. (See Fig. 13).

The cast Iron Fireplace Insert doors may be removed by lifting them off their hinges. Next remove the firebrick, air manifold and/or other loose objects. This will help reduce the weight of the Fireplace Insert, making it easier to slide in and out.

TRIM ASSEMBLY

1. Slide the Fireplace Insert into the fireplace to the depth desired within the limits of installation. (See Fig. 13).
2. Place trim panels on the Insert taking care to insure panels fit flat with the face of the fireplace. The panels should be aligned with one another to prevent gaps between the panels.
3. Mark the Insert at the upper and the lower edge of the trim panels with a pencil.
4. Remove trim panels and slide the Insert out of fireplace about 12 inches.
5. Replace each panel to the location marked.
6. Using an electric drill and the 7/32" dia. drill bit provided, drill through bracket mounting hole (slot) through the cabinet of the Insert.
CAUTION: DO NOT DRILL THROUGH THE FIREBOX. OTHERWISE, SMOKE AND COMBUSTIBLE GASES WILL LEAK INTO THE ROOM WHEN THE FIRE IS BUILT IN THE INSERT.
7. Mount the trim panels using a 3/8" or adjustable wrench and the (5) 1/4-20 self threading screws provided. (Fig.16).

OPTIONAL

Using furnace cement, carefully run a bead of cement around the backside of the trim to seal all air leaks. (Fig. 18).

GASKET INSTALLATION

The adhesive backed gasket attaches to the back side of the trim that you've just installed. This gasket will seal against the brick front of your fireplace (Fig. 17).

Measure and cut the gasket material into three pieces. The two side pieces are 30 1/2" long. The top gasket is cut according to length required.

Carefully remove the backing from the top gasket

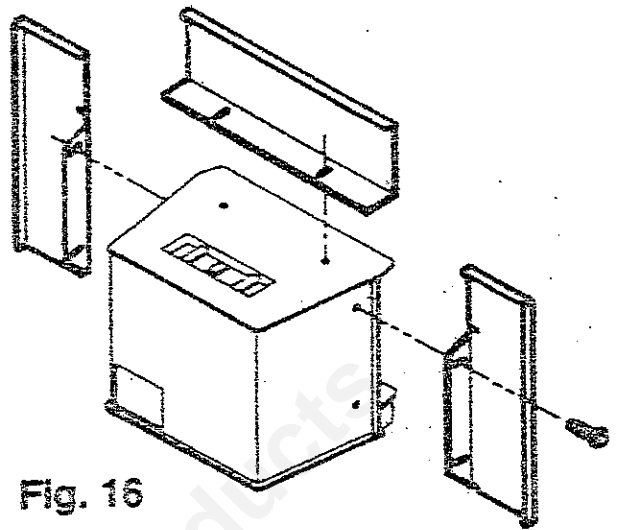


Fig. 16

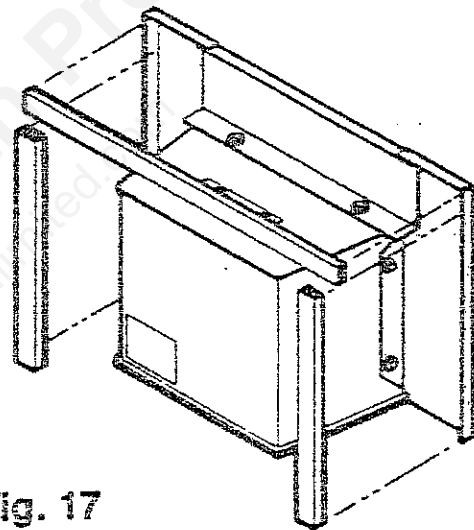


Fig. 17

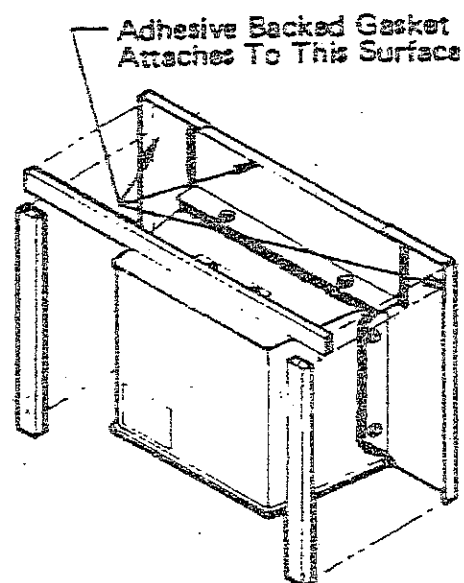


Fig. 18 (OPTIONAL)

NOTE:

If your fireplace front is irregular preventing the gasket from completely sealing, please

Operating Instructions

WOOD FUEL

Use Hardwood that has been split and air-dried to obtain maximum burning efficiency.

CAUTION

When burning wood do not elevate fire; build the fire directly on hearth.

LIGHTING INSTRUCTIONS

1. Open the air inlet shutter on each door (See Fig. 20).
2. Open the damper fully. This can be done by pushing the damper arm all the way to the back of the unit. The damper handle is in front just above the doors.
3. Open both doors and place paper and kindling in the firebox.
4. Light the fire and close the doors until the kindling is burning.
5. Open the doors and add fuel as desired.

EXTENDED OPERATION

1. The temperature in the room and the rate at which wood is burned can be controlled by adjusting the air shutter and damper (Fig. 19).
2. Fuel should be added in small amounts to give more complete combustion and uniform room temperature.
3. The Fireplace heater may be used with the doors open or closed. When the doors are open, place the firescreen which covers the entire fireplace heater front opening on the hearth extension. Have doors fully open or fully closed. Do not use the heater with the doors partially open.
4. Always open the damper and the air shutters fully before opening the doors. This will improve the chimney draft and reduce the possibility of small amounts of smoke coming into the room when the doors are opened.
5. Empty the ashes regularly. Do not allow ashes to build up. Dispose of hot ashes properly (see note 13, page 3).

OPERATING TIPS

This heater is designed to give you the maximum heat output per pound of wood. The tips given here are based on information gathered over the past few years and are offered to ensure you receive the best performance possible from your unit.

KEY CONTROLS

1. The DAMPER is one of the most important controls you have on this unit. If used properly, it can make a major difference in the performance of your unit. When initial fire is started, the damper should be toward the open position (handle pushed back). As the unit heats up and the fire begins burning vigorously, the damper should be pulled toward the closed position (handle pulled forward). **BE SURE DAMPER is fully open before opening doors.**
2. The AIR INLET CONTROLS located on each door are another key factor in the performance of your unit. These can be set at many different settings depending upon the amount of heat desired.
3. The BLOWER SYSTEM is the other key factor in the performance of your unit. It should be set according to the amount of heat desired in the various firing modes.

MISCELLANEOUS TIPS

1. In some cases, it has been found that by placing wood in the unit from front to back (18" length required) instead of side to side (22" length), the unit will heat more effectively.
2. Again the damper is one of the most important controls on this unit. Its main purpose is to allow you to keep heat in the firebox instead of allowing it to go out the flue. By experimenting with various damper positions, you can find the best position for your particular heating needs.
3. It is recommended that the blower be turned off when opening and closing the

WARNING

Fireplace inserts equipped with doors should be operated only with the doors fully open or the doors fully closed. If the doors are left partly open, gases and flames may be drawn out of the fireplace insert front opening, creating risks and hazards from both fire and smoke.

WARNING

Never use gasoline, gasoline-type lantern fuel, kerosene, charcoal lighter fluid, or similar liquids to start or "freshen-up" a fire in this heater. Keep all such liquids well away from the heater while it is in use.

chimney maintenance

Creosote and Soot - Formation and Need for Removal

When wood is burned slowly, it produces tar and other organic vapors, which combine with expelled moisture to form creosote. The creosote vapors condense in the relatively cool chimney flue of a slow-burning fire. As a result, creosote residue accumulates on the flue lining. When ignited, this creosote makes an extremely hot fire.

When coal is burned, the products of combustion combine with moisture to form a soot residue which accumulates on the flue lining. When ignited, this soot makes an extremely hot fire.

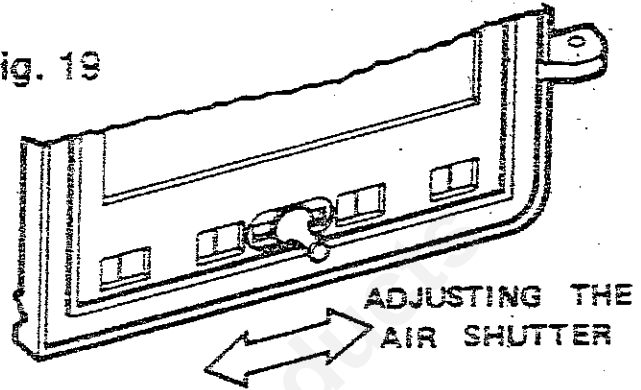
The chimney should be inspected at least twice monthly during the heating season to determine if a creosote or soot build up has occurred.

If creosote or soot has accumulated it should be removed.

WARNING

OVERFIRING OF THE HEATER MAY CAUSE A HOUSE FIRE. IF A UNIT OR CHIMNEY CONNECTOR GLOWS. YOU ARE OVERFIRING.

Fig. 19



Failure to remove creosote or soot may cause a house fire. Creosote may be removed by using a chimney brush or other commonly available materials.

Chimney fires burn very hot. If the chimney catches fire, immediately call the fire department, then reduce the fire by closing the inlet air control. Pour a large quantity of coarse salt, baking soda or cool ashes on top of the fire in the firebox.

CAUTION:

A chimney fire may cause ignition of wall studs or rafters which you thought were a safe distance from the chimney. If you have a chimney fire, have your chimney inspected by a qualified person before using again.

NOTE

A draft reading of .05 to .06 w.c. is suggested for proper burning of this unit when using wood or bituminous coal as fuel. When using anthracite coal, this draft reading is a minimum reading.

service hints

Do not expect a heater to draw. It is the chimney that creates the draft. Smoke spillage or excessive build-up of water or creosote in the chimney are warnings that the chimney is not functioning properly. Correct the problem before using the heater.

Possible causes are:

1. The chimney used for this heater must not be used for any other appliance.
2. The chimney used for this heater must not be used to ventilate cellar or basement.
3. If there is a cleanout door at the base of the

5. If the chimney does not seem to draw or if smoke spills into the house from around the trim, be sure that the trim gasket is sealing tightly against the fireplace front.

6. If the fire burns well but sometimes smokes or burns slowly, it may be caused by the chimney top being lower than another part of the house or a nearby tree. The wind blowing over a house or a tree, falls on top of the chimney like water over a dam, beating down the smoke. The top of the chimney should be at least 2 feet higher than any point of the roof within 10 feet (Fig. 10).

Glass Cleaning - To clean the glass in your heater, wait until it has cooled. Spray the glass lightly with a mild oven cleaner. Follow instructions of the cleaner manufacturer.

blower operation

The blower assembly is equipped with a thermostat designed to automatically switch on the blower 25 to 35 minutes after firing the heater (see Fig. 20-A). The thermostat can easily be adjusted to cause the blower to switch on either sooner or later, if desired. To make blower turn on earlier, rotate the indicator on the thermostat to a lower position (towards 'A'). To make blower turn on later, rotate the indicator to a higher position (towards 'E'). Use a standard flat-blade screwdriver to turn the indicator on the thermostat. To locate thermostat, refer to repair parts drawing and list (Key No. 1) on pgs. 14 & 15.

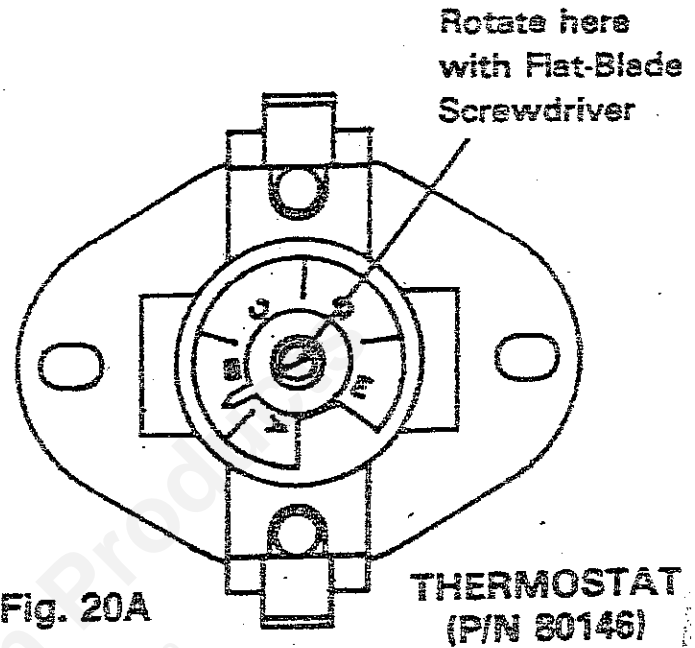


Fig. 20A

AUTOMATIC OPERATION

1. Plug the service cord into a 120V., 60 HZ outlet.
2. Switch the toggle switch to the auto (automatic) position.
3. The blower will switch "ON" automatically when the firebox reaches proper temperature.

NOTE: The time period needed for the blower to operate on automatic depends on the mode of operation and setting on the thermostat (see p. 10 "Operating Instructions and Tips").

MANUAL OPERATION

1. Plug the service cord into a 120V., 60 HZ outlet.
2. Switch the toggle switch to the man. (manual) position.

NOTE: Keep all debris, ashes and any other objects away from blower hearth as it may cause permanent damage to blower and void the warranty.



FIREBRICK PLACEMENT INSTRUCTIONS

1. Place (5) firebricks side by side with the 4-1/2" side facing the backwall. (See Fig. 21).
2. Place the remaining (5) firebricks end to end with the first firebricks.



Fig. 21

FIREBRICK (10 REQ'D.)

Door Handle Replacement Instructions

1. Remove handle(s), washer(s), door latch and 7/16" nut(s) from door(s).
2. Assemble right hand door handle as shown in Fig.22. Slide handle into hole at the top of door. Add (2) washers and latch (making sure handle is horizontally - 3 o'clock position, latch will be 30° off of vertical centerline of hole - 11 o'clock position; bent part of latch will be on the right when looking at heater from front). Next, add (1) 7/16"-20 nut onto threaded shaft of handle and tighten.
3. When facing the front of the heater, the left hand and right hand doors are to be mounted on the hinge pad rods that are located on the front of the heater, by sliding the door hinge pads that are on the door over the rods. The left hand door is mounted to the left hand hinge pad rods and the right hand door is mounted to the right hand hinge pad rods.

NOTE: BOTH HANDLES ARE TO FIT HORIZONTALLY WHEN BOTH DOORS ARE CLOSED ON UNIT AS SHOWN IN FIG. 3, PAGE 4.

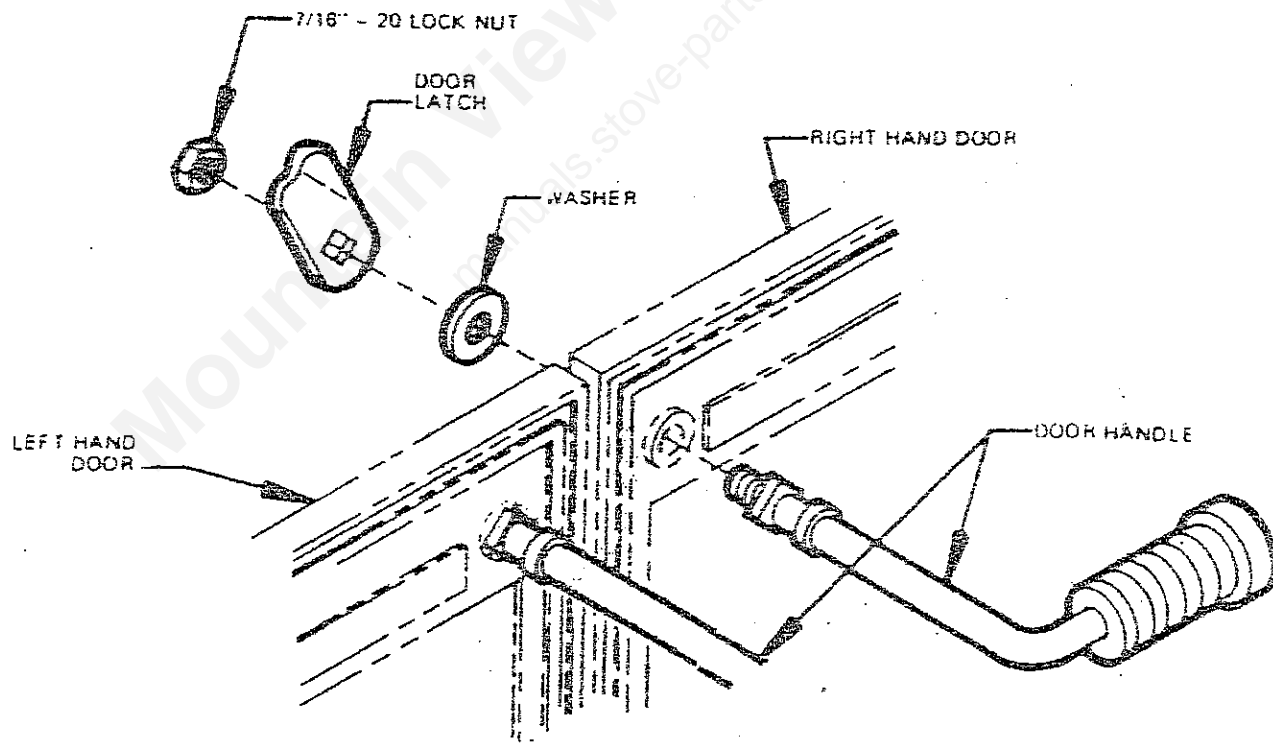
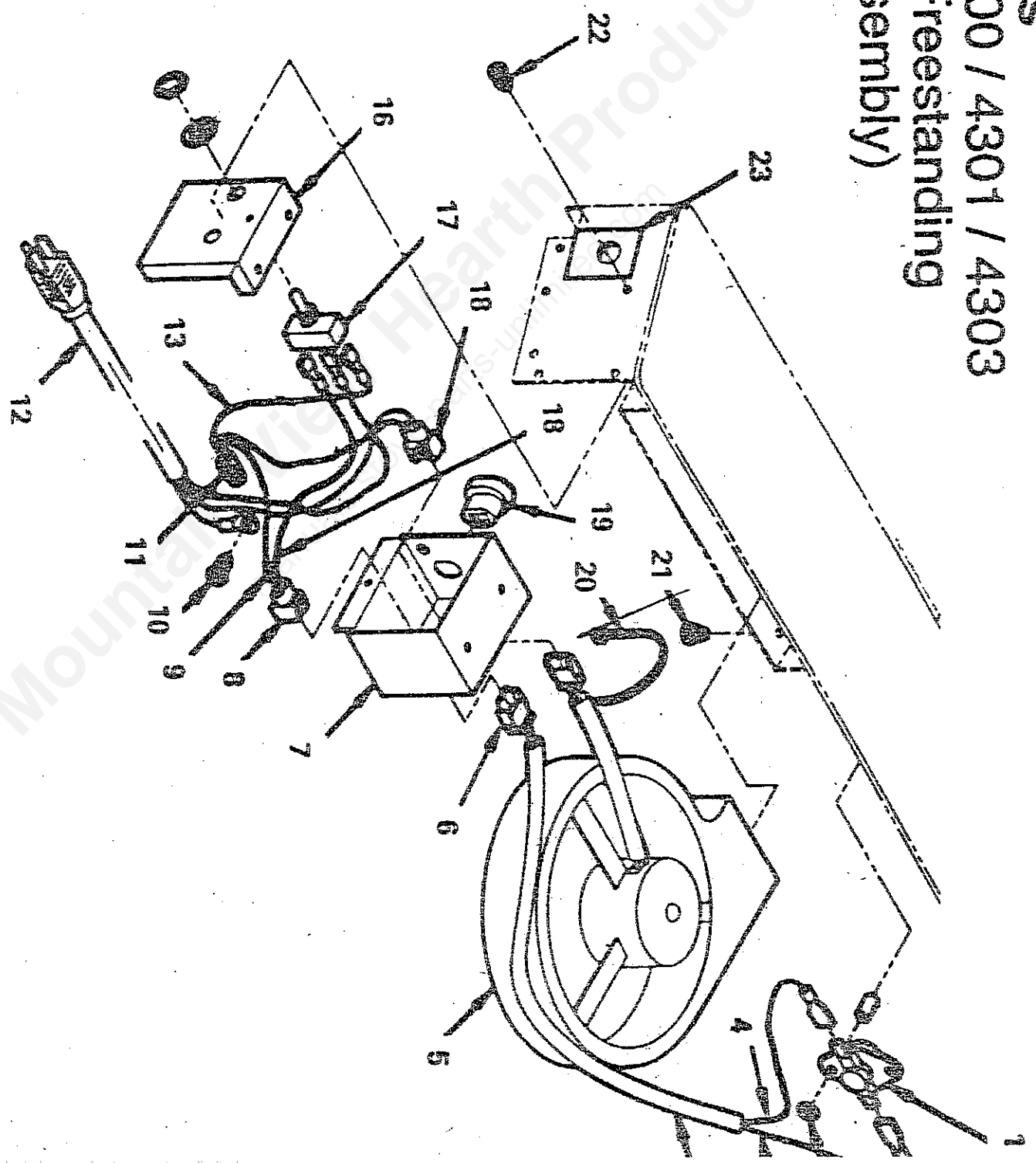


Fig.22

NOTE

During opening and closing of the doors of this heater, it may seem that the fit of the doors are "too tight". As the heater is fired, the gasketing "settles" or "seats" itself in the doors. The tight fit at the

repair parts Forester 4300 / 4301 / 4303 Insert and Freestanding (Blower Assembly)

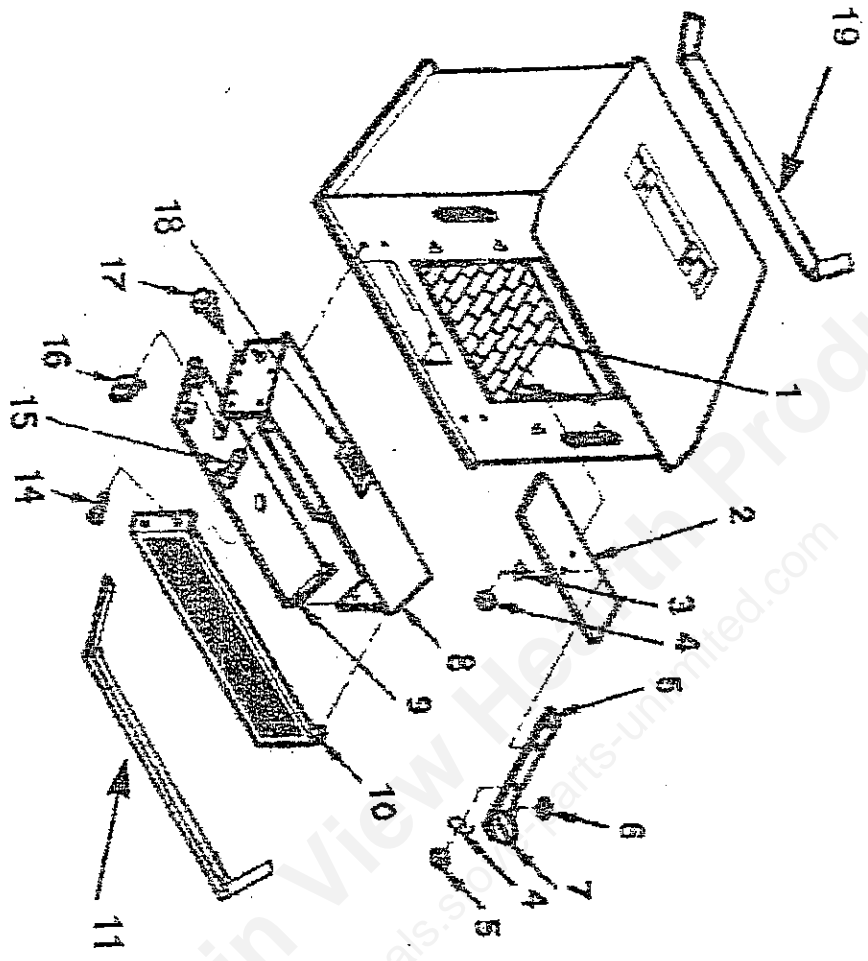


repair parts

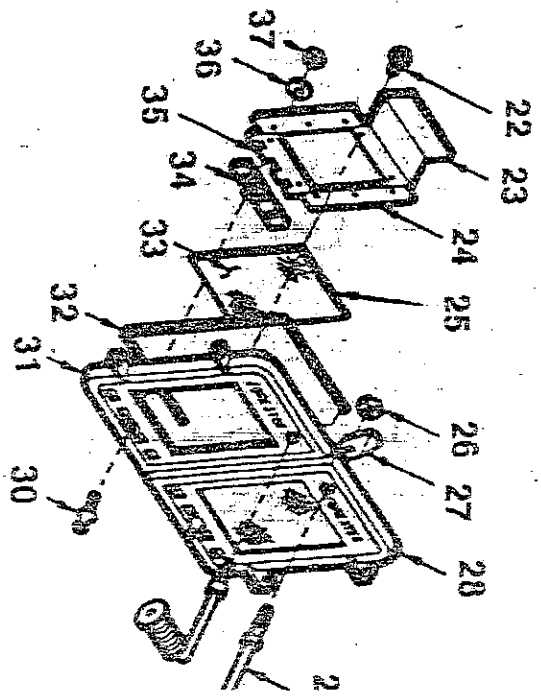
4300 / 4301 / 4303 Blower Assembly

Key No.	Part No.	Description
*	83244	Square Nut (10-24) (4 Req'd)
1	80145	Thermostat
2	83297	Hex Nut, #8-32 (2 Req'd)
3	80122	Jumper Wire (2 Req'd)
4	80120	Vinyl Tubing
5	80115	Motor
6	80092	Male Connector (2 Req'd)
7	22061	Box, Control
8	80094	Connector, Female**(2 Req'd)
9	80119	Wire, Jumper
10	83220	Screw, Thread Cutting
11	80006	Nut, Wire
12	80232	Cord, Power Supply
13	80118	Wire, Jumper
16	22062	Cover, Control Box
17	80004	Switch, Toggle
18	80117	Wire, Jumper
19	80109	Bushing, Strain Relief
20	80123	Tie, Cable (2 Req'd)
21	83245	Screw, Sheet Metal (10x3/8 HX. W HD serrated) (2 Req'd)
22	83222	Screw, Sheet Metal (10x3/8 HX W HD serrated) (2 Req'd)
23	85370	Label, Blower Control
*	67822	Blower Assembly Complete
*	41BH	Blower Hearth Assembly Complete

repair parts
Forester 4300/4301/4303
Insert and Freestanding



4300 / 4301 / 43
Door w/Glass Ins



repair parts

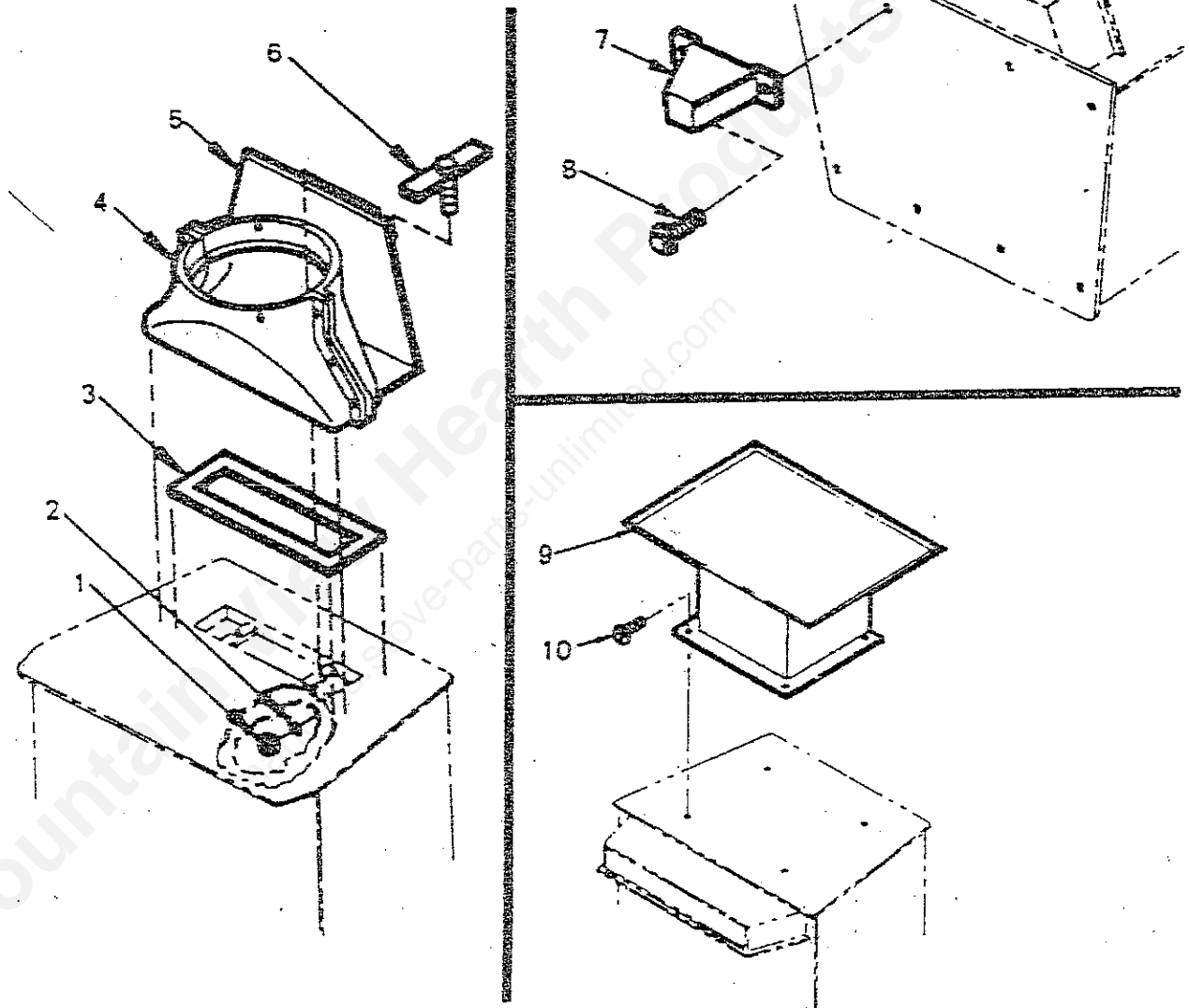
Model Number 4300/4301/4303

Key No	Part No.	Description
1	89066	Firebrick (10 Req'd)
2	23147	Damper, Flue Outlet
3	83227	Screw, 1/4020x1 MS SL FL (2)
4	83250	Nut, Hex - 1/4"-20 (3 Req'd)
5	22048	Arm, Damper Adjustment
6	83257	Fastener, Pushnut (2 Req'd)
7	85388	Nameplate, "Forester"
8	68077	Plate, Hearth Extension
9	22076	Panel, Hearth Extension Bottom
10	67815	Hearth Extension Grill Assembly
11	89547	Hearth Brass Trim
12	83134	Screw, Machine-#10-24x1/2 PH TR (4 Req'd)
13	83236	Screw, Machine-1/4-20x3/4 HZ F (4 Req'd)
14	83192	Nut, Clip (#10-24) (4 Req'd)
15	83172	Screw, Sheet Metal-10Ax1/2 SL HX BLK(6 Req'd)
16	85442	Label, Hearth Extension
17	89546	Cabinet, Brass Trim
18	83202	Screw, Machine#10-24x3/8 PH RD PLN(20 Req'd)
19	22424	Retainer, Glass Top (2 Req'd)
20	21781	Retainer, Glass Side (4 Req'd)
21	88047	Gasket, Glass (3' per door)
22	83243	Nut, Lock 7/16-20 NF (Thin-Top) (1 Req'd)
23	22083	Latch, Door
24	22315	Door, Right Hand (For Glass Insert)
25	89189	Handle, Door (2 Req'd)
26	40022	Knob, Draft Control (2 Req'd)
27	22313	Door, Left Hand (For Glass Insert)
28	88057	Gasket, Rope (1/2") 36" Long (2 Req'd)
29	89155	Glass (8"x10") (2 Req'd)
30	23331	Slide, Draft (2 Req'd)
31	22316	Retainer, Glass Bottom (2 Req'd)
32	83273	Washer, Flat (#10) (2 Req'd)
33	83244	Nut, (Keps #10-24) F (2 Req'd)
*	68004	Complete L/H Door Assembly (4100)
*	68005	Complete R/H Door Assembly (4100)

Forester 4301/4303

Free Standing Room Heater

Leg / Pedestal Conversion Kits



PARTS LIST

KEY	PART NO.	DESCRIPTION	4301	4303	QTY.
1	83238	Nut, Hex 3/8 - 16	X	X	2
2	83237	Washer, Lock 3/8 (split)	X	X	2
3	88054	Gasket, Flue	X	X	1
4	67921	Flue Adapter Assembly (8")	X	X	1
5	22205	Shield, Flue Adapter	X	X	1
6	67920	Flue, Tie-Down	X	X	2
7	67640	Legs	N/A	X	4
8	83236	Screws, Thread cutting 1/4-20x3/4 HX W (type F)	N/A	X	8
9	67924	Base Pedestal	X	N/A	1

owners manual

HOW TO ORDER REPAIR PARTS OR "OPTIONS"

THIS MANUAL WILL HELP YOU TO OBTAIN EFFICIENT, DEPENDABLE SERVICE FROM THE HEATER, AND ENABLE YOU TO ORDER REPAIR PARTS CORRECTLY.

KEEP IN A SAFE PLACE FOR FUTURE REFERENCE.

WHEN WRITING, ALWAYS GIVE THE FULL MODEL NUMBER AND SERIAL NUMBER WHICH IS ON THE NAMEPLATE LOCATED ON THE INSIDE OF THE BACK ON THE HEARTH EXTENSION.

WHEN ORDERING REPAIR PARTS OR OPTIONS, ALWAYS GIVE THE FOLLOWING INFORMATION AS SHOWN IN THIS LIST:

1. The PART NUMBER

2. The PART DESCRIPTION

3. The MODEL NUMBER

4300 Forester Fireplace Insert

4301 Forester Pedestal Stove

4303 Forester Freestanding Stove

4. The SERIAL NUMBER: _____

BEFORE INSTALLING YOUR HEATER, CHECK THE ABOVE APPROPRIATE BOX AND FILL IN THE SERIAL NUMBER OF YOUR HEATER IN THE SPACES PROVIDED ABOVE.