



43P

CAUTION:
Read All Instructions
Carefully Before Starting
The Installation.

Pedestal Base Kit

Instruction Sheet

(FOR FORESTER 4300, 4301, 4303 ROOM HEATERS)

TOOLS REQUIRED:

- 1/4" Electric Drill
- Pencil
- 12" Ruler or Tape Measure
- 3/8" Box, Open End or Small Adjustable Wrench
- Gloves
- Prick Punch

INSTALLATION

Before beginning installation, be sure heater and its contents have thoroughly cooled.

1. Lift doors from hinges and remove from heater.
2. Remove firebrick, ashes (cold) and air manifold from firebox. See Page 13, Fig. 22 of owner's manual if so equipped.
3. Disconnect chimney pipe and flue adapter assembly, see Page 6, Fig. 8 of owner's manual on Placement of Flue Adapter Assembly.
4. Position heater on its back and then on its top.
5. Remove pedestal base and parts from carton and position pedestal base on bottom of heater with open end of pedestal base facing rear of heater. (See Fig. 1 below.)
6. Centering the pedestal base as shown in Fig 1, mark the (4) hole locations on heater bottom using pedestal top mounting plate as template. (See Fig. 1 below.)

7. Drill marked holes with electric drill using drill bit that is provided.
8. Secure pedestal base with (4) 1/4-20 self threading screws that are provided.
9. Position heater on its back, then on to the pedestal base.
10. Install per appropriate owner's manual.

43P Pedestal Base Kit Repair Parts List

Key No.	Part No.	Description
1	67924	Pedestal Base
2	83236	Screw, Machine (4-Req'd) (1/4-20x3/4 self thrd. blk)
*	89185	Drill Bit (7/32")

* Not Shown

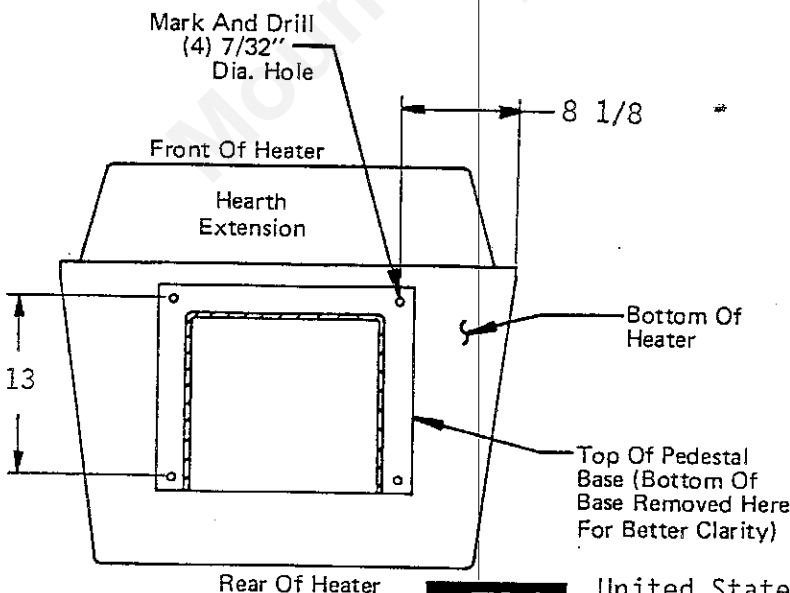
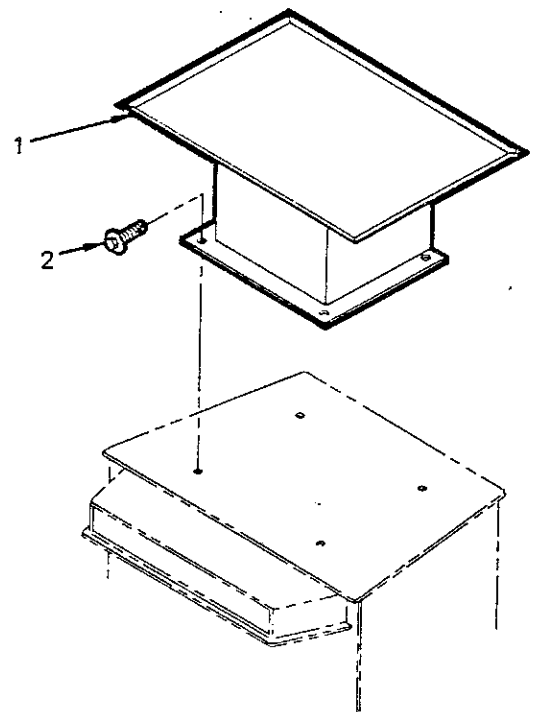


FIG. 1



United States Stove Company
111 Industrial Dr.-P.O. Box 151
South Pittsburg, TN 37380
(615)837-2100

85410E 7-92



CAUTION:
 READ ALL INSTRUCTIONS
 CAREFULLY BEFORE STARTING
 THE INSTALLATION.

FLUE ADAPTER ASSEMBLY INSTRUCTION SHEET

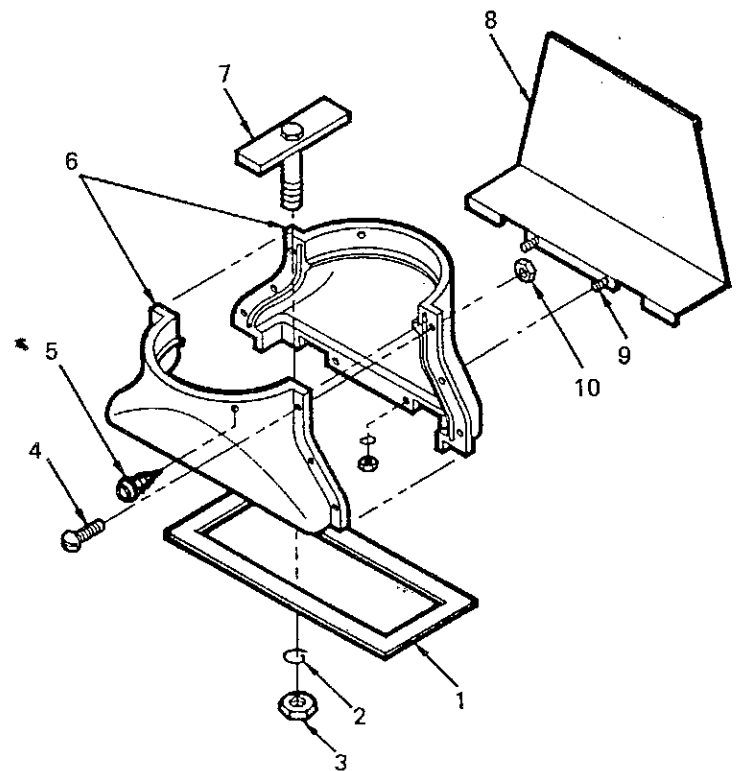
(FOR FORESTER 4300, 4301, 4303 ROOM HEATERS)

REPAIR PARTS FLUE ADAPTER ASSEMBLY

KEY	PART NO.	DESCRIPTION
1	88054	GASKET, FLUE
2	83237	LOCKWASHER (3/8 SLIT)(2 REQD.)
3	83238	HEX NUT(3/8-16)(2 REQD.)
4	83251	MACHINE SCREW(10-24X1 SL RD HD)(4 REQD.)
5	83335	SHEET METAL SCREW(10AX3/4 HX W HD)(4 REQD.)
6	22206	HALVE, FLUE ADAPTER (2 REQD.)
7	67920	TIE DOWN, FLUE (2 REQD.)
8	22205	SHIELD, FLUE ADAPTER
9	83183	MACHINE SCREW(10-24x3/4 SL FL HD2)(2 REQD.)
10	83244	10-24 KEP NUT (8 REQD.)

INSTALLATION INSTRUCTIONS

1. REMOVE FLUE ADAPTER HALVES, FLUE ADAPTER SHIELD AND PARTS FROM CARTON.
2. ATTACH FLUE ADAPTER SHIELD TO ONE OF THE TWO FLUE ADAPTER HALVES USING (2) OF THE #10 LOCKWASHERS AND THE #10-24 NUTS PROVIDED. (SEE FIGURE BELOW).
3. ASSEMBLE THE FLUE ADAPTER HALVES TOGETHER AT THE FLANGES AND SECURE THEM TOGETHER WITH THE SIX(6) #10-24 X 1 (BLACK) ROUND HEAD MACHINE SCREWS, LOCKWASHERS, AND HEX NUTS PROVIDED. (SEE FIGURE BELOW)
4. SECURE FLUE ADAPTER ASSEMBLY TO TOP OF HEATER AS SHOWN IN FIG. 8 (FLUE ADAPTER INSTALLATION) OF FORESTER MODEL 4300 ROOM HEATER'S OWNER'S MANUAL.



- WHEN ORDERING REPAIR PARTS
 ALWAYS GIVE THE FOLLOWING:
1. THE HEATER MODEL NUMBER
 2. THE KIT NUMBER
 3. THE PART NUMBER
 4. THE PART DESCRIPTION

UNITED STATES STOVE COMPANY
 111 INDUSTRIAL DR. - P.O. BOX 151
 SOUTH PITTSBURG, TN 37380
 (615)837-2100