

WARRANTY INFORMATION AND REPAIR PARTS

WARRANTY CLAIM INFORMATION

A catalytic combustor warranty and a heater warranty are packed with this owner's manual. For warranty claims, follow the instructions provided by each warranty.

REPAIR PARTS

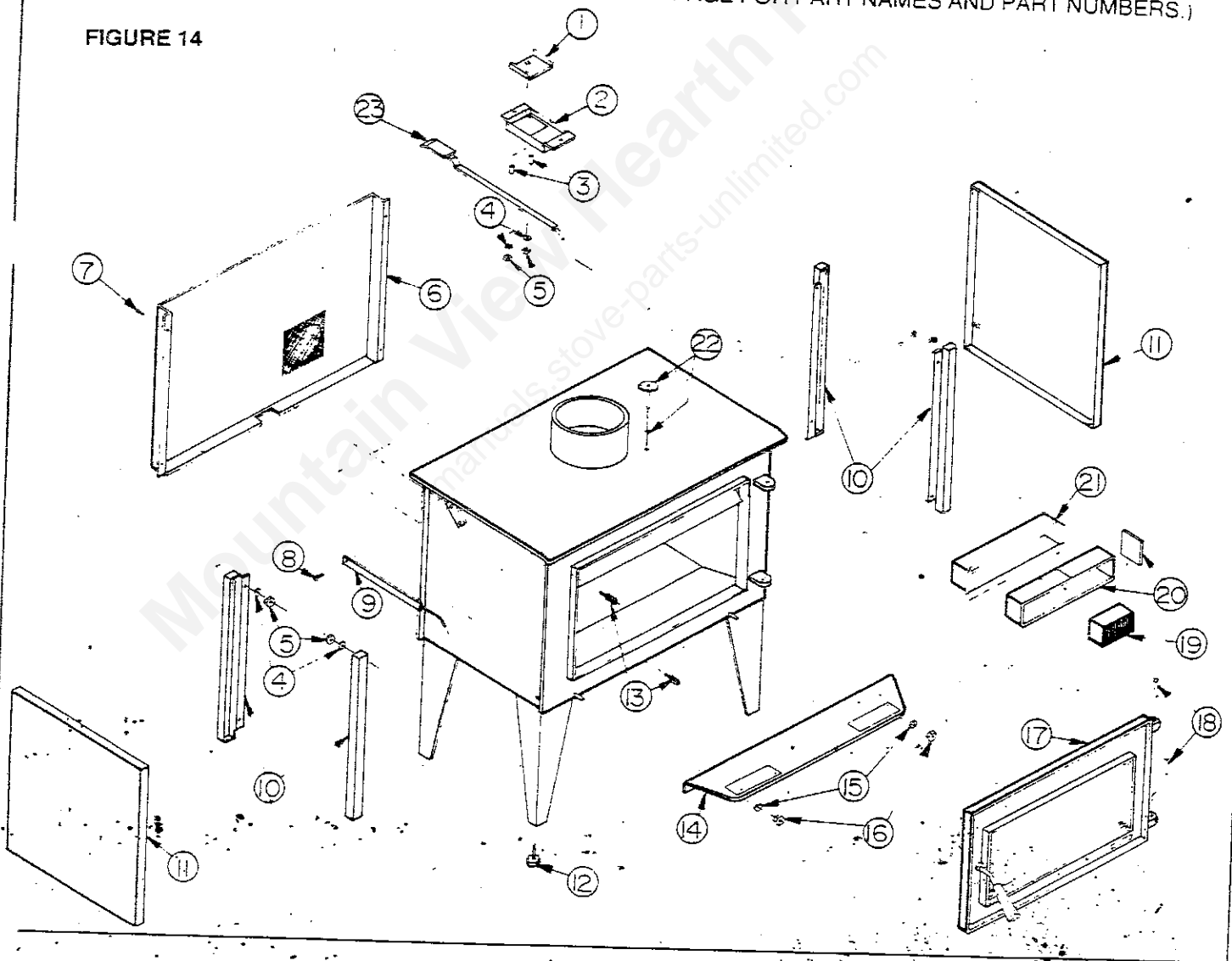
ORDER ALL REPAIR PARTS FROM:
 A & B PARTS DIVISION
 P.O. BOX 5488
 BIRMINGHAM, AL 35207

TO ASSURE PROMPT AND CORRECT FILLING OF
 ORDER, THE FOLLOWING INFORMATION SHOULD
 BE SUPPLIED WHEN ORDERING REPAIR PARTS:
 1. PART NAME 2. PART NUMBER (Not Key No.)
 3. MODEL NUMBER

SEE FIGURES 14 & 15 FOR ILLUSTRATION OF REPAIR PARTS

(HEATER REPAIR PARTS. SEE LEDGER ON NEXT PAGE FOR PART NAMES AND PART NUMBERS.)

FIGURE 14

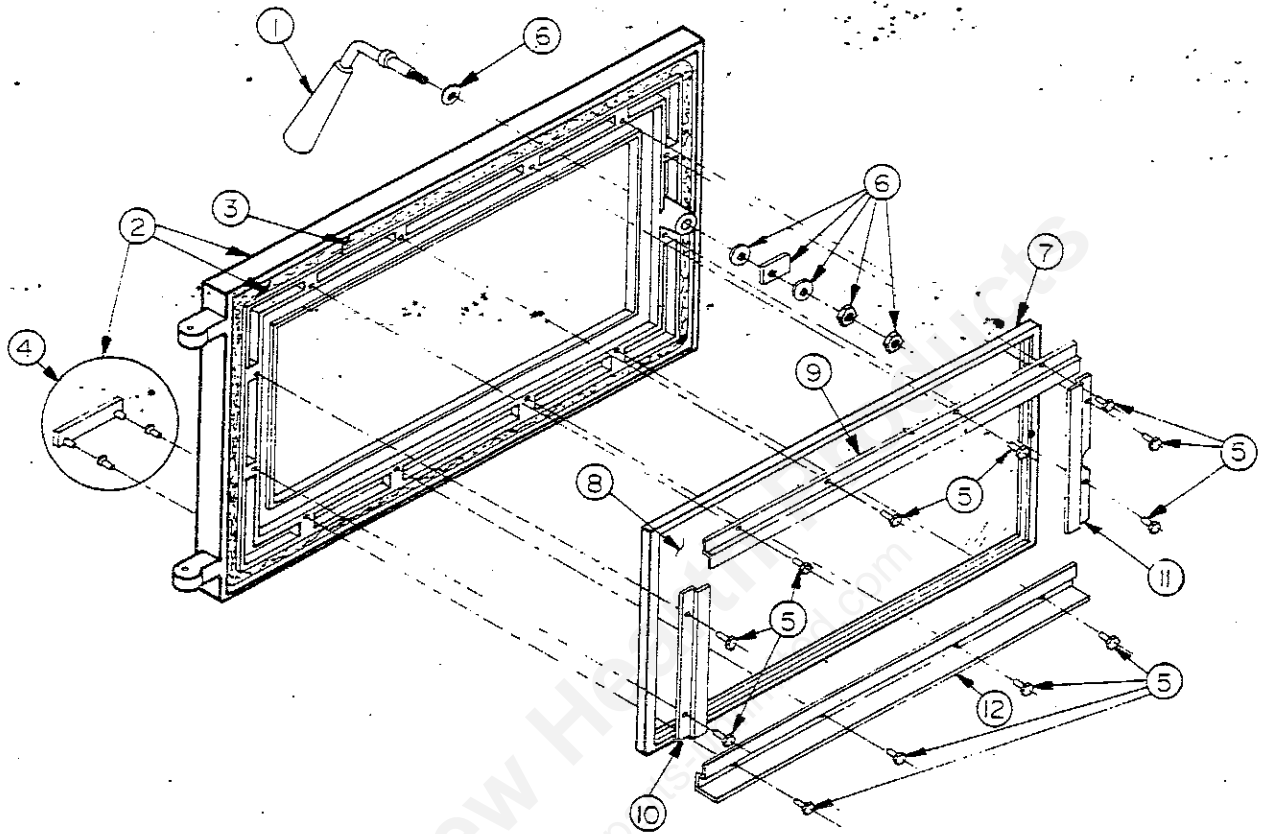


SEE FIGURE 14 FOR ILLUSTRATION OF PARTS.

KEY NO.	PART NAME	PER UNIT QTY.	AC2 PART NO.
1	Slide Draft Weld Assy.	1	036236
2	Support Draft Slide	1	036036
3	Spacer	2	P5138
4	Washer Lock Split #10 Pl.	10	
5	Nut 10-24 Hex Cad	10	
6	Shield Back Radiation Assy.	1	037346
7	Screw 10-24 x 3/4 Mach Pan	4	
8	Screw 1 4-20 x 1/2 Mach Hex	1	
9	Lever Bypass Damper Ptd.	1	037882
10	Bracket Support Ptd.	4	037349
11	Panel Side Ptd.	2	037348
12	Levelers Bagged (4 Bag)	.1	016529
13	Handle Spring	2	025516
14	Lip Ash Complete	1	038377 - 10
15	Washer 5/16 Lock Pl.	2	
16	Nut 5/16-18 Hex	2	
17	Door (Feed) & Handle Assy. (See Fig. 15 For Components)	1	037829
18	Pin Hinge (Brass Plated)	2	026345
19	Combustor Catalytic	3	036075
20	Wrap (For 3 Combusts) Kit	1	037870
21	Catalyst Can Weld Assy.	1	036067
22	Probe Thermometer	1	036049
23	Lever Draft Air Assy. Ptd.	1	037881
**	Label Test Performance	1	037092
**	Label Bypass Damper	1	036496
	*Purchase Locally		
	**Not Shown		

P.O.
12490
7-26-89

FIGURE 15 (FUEL FEED DOOR REPAIR PARTS)



KEY NO.	PART NAME	PER UNIT QTY.	AC2 PART NO.
1	Handle & Bushing Assy.	1	036117
2	Door Feed Brs. w/Rope Ptd.	1	037819
3	Gasket 1/2 Dia. Fbrgl. Rope	1	022433
4	Huntsman Logo & Fasteners	1	037816
5	Screw 1/4 x 1/2 Long Mach	12	*
6	Latch & Latch Fasteners	1	026029
7	Gasket Glass	1	037801
8	Glass Ceramic	1	024320
9	Retainer Glass (Top & Btm.)	1	018175
10	Retainer Glass (Right)	1	018177
11	Retainer Glass (Left)	1	018176
12	Retainer Gl. & Air Splash	1	036066

NOTE: The Complete Fuel Feed Door Assembly May Be Ordered By Using Part Number 037829 Or Individual Components May Be Ordered As Described Above.

- 15. Don't neglect to keep bypass damper mechanism free of ash buildup.
- 16. Don't neglect to inspect chimney connector pipes for corrosion.

SECTION 6

WARRANTY INFORMATION AND REPAIR PARTS

WARRANTY CLAIM INFORMATION

A catalytic combustor warranty and a heater warranty are packed with this owner's manual. For warranty claims, follow the instructions provided by each warranty.

REPAIR PARTS

ORDER ALL REPAIR PARTS FROM:
A & B PARTS DIVISION
P.O. BOX 5488
BIRMINGHAM, AL 35207

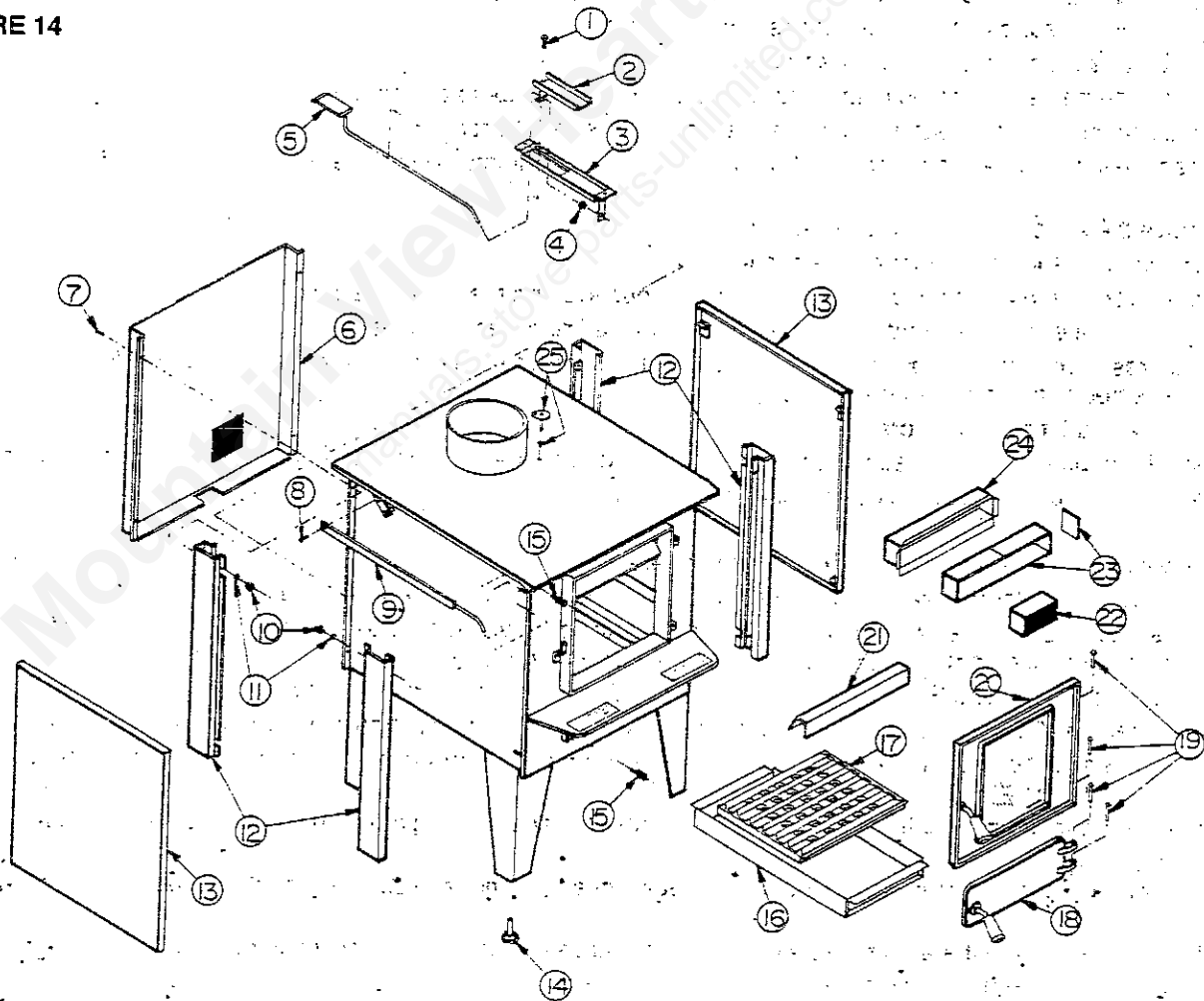
TO ASSURE PROMPT AND CORRECT FILLING OF ORDER, THE FOLLOWING INFORMATION SHOULD BE SUPPLIED WHEN ORDERING REPAIR PARTS:

1. PART NAME
2. PART NUMBER (Not Key No.)
3. MODEL NUMBER

SEE FIGURES 14, 15, & 16 FOR ILLUSTRATION OF REPAIR PARTS.

(HEATER REPAIR PARTS. SEE LEDGER ON NEXT PAGE FOR PART NAMES AND PART NUMBERS.)

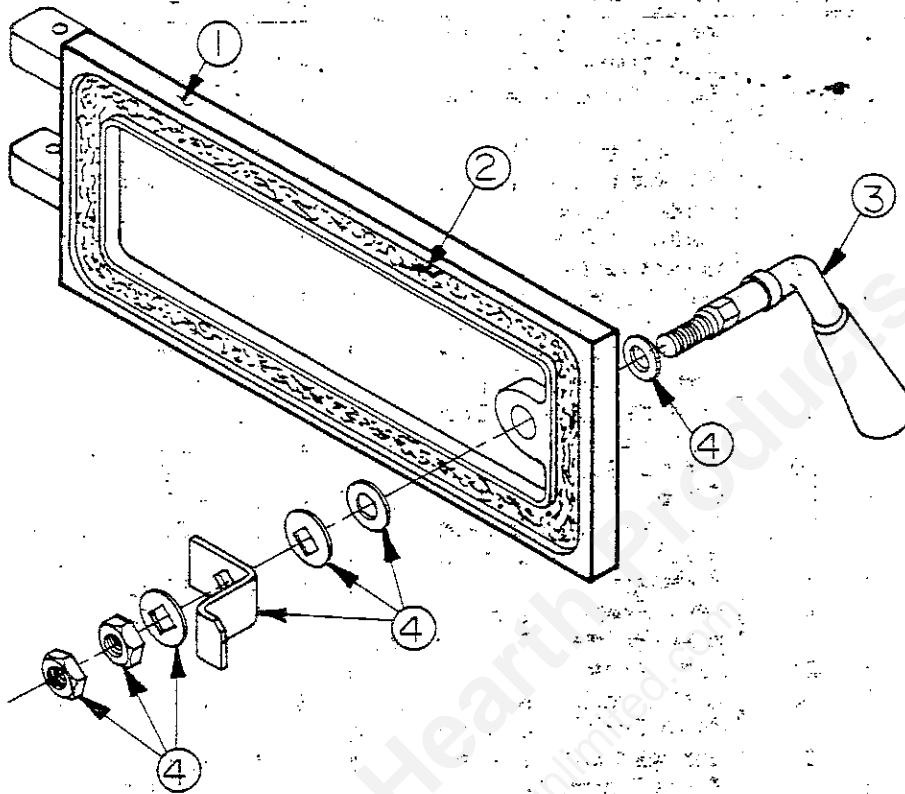
FIGURE 14



KEY NO.	PART NAME	PER UNIT QTY.	ACS PART NO.
1	Key Cotter 1/16 Dia x 3.4	1	
2	Slide Draft Weld Assy.	1	036340
3	Support Draft Slide Assy.	1	036342
4	Bushing	1	011055
5	Lever Draft Slide Ptd.	1	037894
6	Shield Back Radiation Assy.	1	037478
7	Screw 10-24 x 3/4 Mach Pan	4	
8	Screw 1 4-20 x 1 2 Mach Hex	1	
9	Lever Bypass Damper Ptd.	1	037895
10	Nut 10-24 Hex Cad	8	
11	Washer Lock Split #10 Pl.	8	
12	Rail End Retaining Enamel	4	037477
13	Panel Side Assy. Ptd.	2	037476
14	Levelers Bagged (4/Bag)	2	016529
15	Handle Spring	2	025516
16	Pan Ash Assy.	1	036989
17	Grate	2	035308
18	Door (Ash) & Handle Assy. (See Fig. 15 For Components)	1	037845 10 - S
19	Pin Hinge	4	P626
20	Door (Feed) & Handle Assy. (See Fig. 16 For Components)	1	037833 10 - S
21	Retainer Ash Ptd.	1	037896
22	Combustor Catalytic	3	036075
23	Wrap (For 3 Combusts) Kit	1	037870
24	Catalyst Can Weld Assy.	1	036067
25	Probe Thermometer	1	036049
**	Label Test Performance	1	037089 20 - S
**	Label Bypass Damper	1	036496
	*Purchase Locally		
	**Not Shown		

P.O. 12459

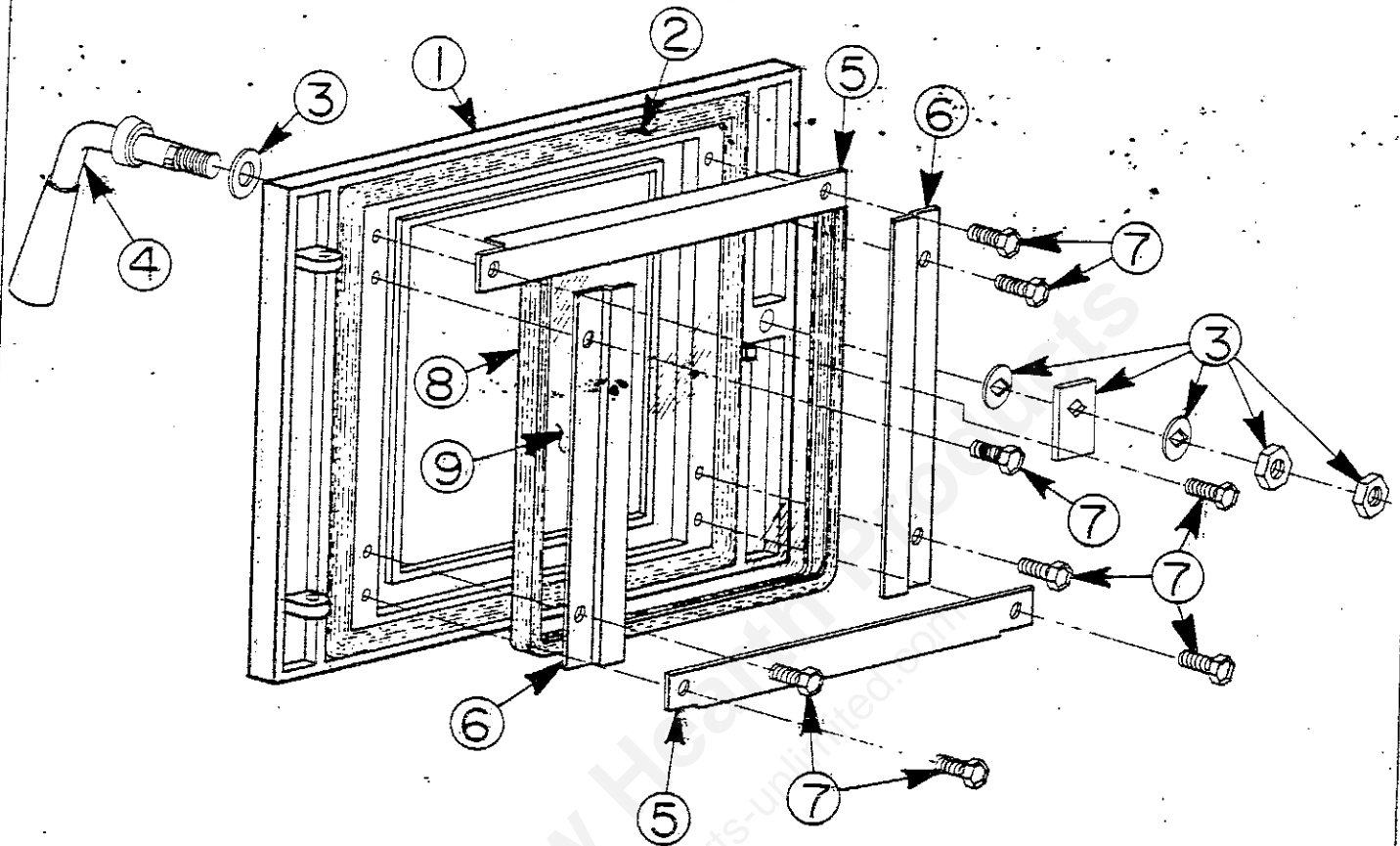
FIGURE 15 (ASH DOOR REPAIR PARTS)



KEY NO.	PART NAME	PER UNIT QTY.	ACS PART NO.
1	Door Ash & Rope Assy.	1	037850
2	Gasket 3/8 Dia. Fbrgl. Rope	1	012053-01
3	Handle & Bushing Assy.	1	036224
4	Latch & Latch-Fasteners	1	026029

Note: The Complete Ash Door Assembly May Be Ordered By Using Part Number 037845. Or Individual Components May Be Ordered As Described Above.

FIGURE 16 (FUEL FEED DOOR REPAIR PARTS)



KEY NO.	PART NAME	PER UNIT QTY.	ACS PART NO.
1	Door Feed & Rope Assy.	1	034892
2	Gasket 1/2 Dia. Fbrgl. Rope	1	009535-01
3	Latch & Latch Fasteners	1	026029
4	Handle & Bushing Assy.	1	036131
5	Retainer Glass (Top & Btm.)	2	026187
6	Retainer Glass	2	018053
7	Screw 1/4-20 x 1/2 Lg. Mach.	8	*
8	Gasket Glass	1	037810
9	Glass Printed	1	034097
	*Purchase Locally		

Note: The Complete Fuel Feed Door Assembly May Be Ordered By Part Number 037833 Or Individual Components May Be Ordered As Described Above.