

WARRANTY INFORMATION AND REPAIR PARTS

WARRANTY CLAIM INFORMATION

A catalytic combustor warranty and a heater warranty are packed with this owner's manual. For warranty claims, follow the instructions provided by each warranty.

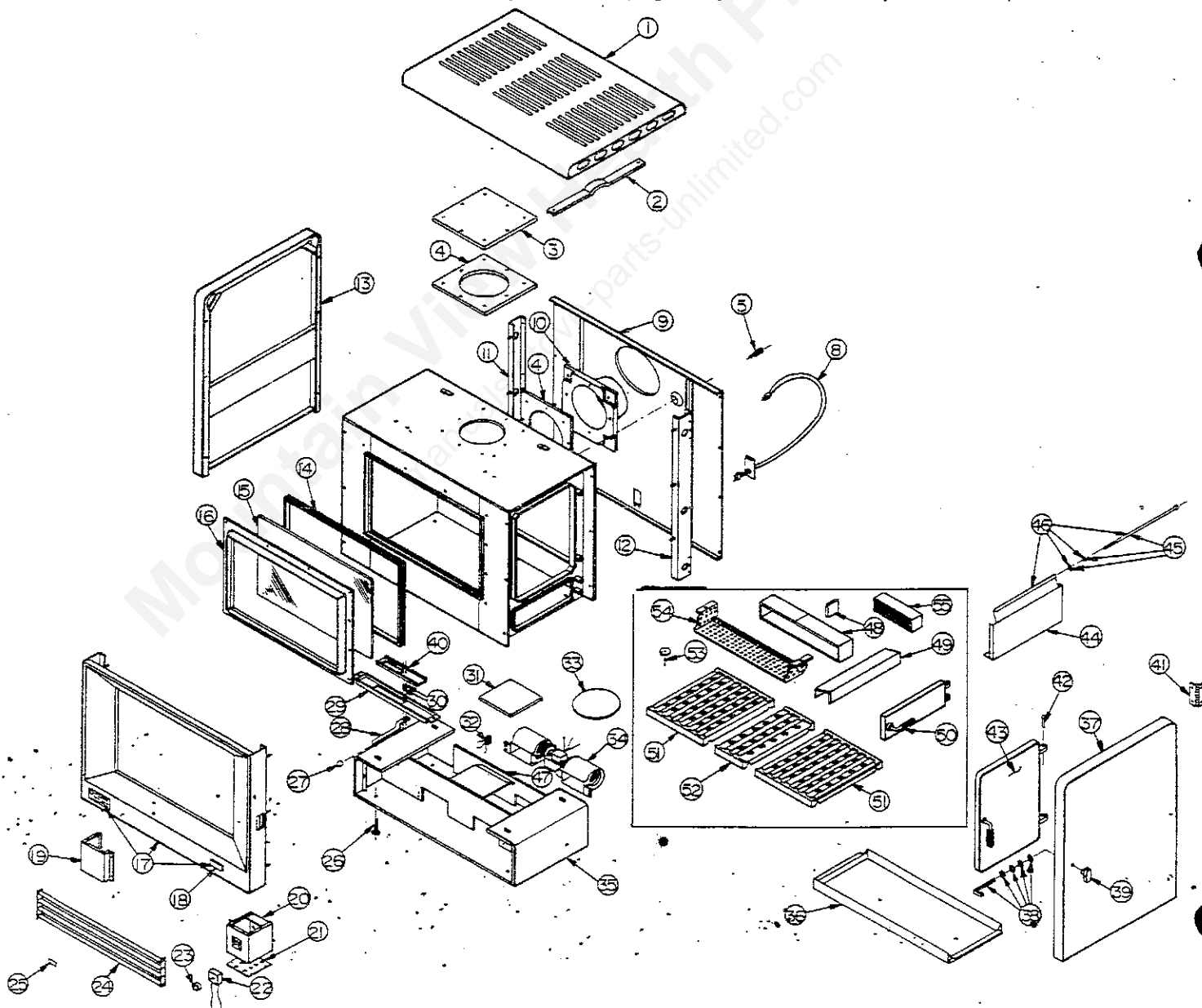
REPAIR PARTS

ORDER ALL REPAIR PARTS FROM YOUR KING DEALER BY SUPPLYING THE FOLLOWING INFORMATION:

1. PART NAME
2. PART NUMBER (Not Key No.)
3. MODEL NUMBER

FOR REPAIR PARTS, SEE FIGURES 17, 18, AND 19.

FIGURE 17 (Heater Repair Parts, See ledger on next page for part names and part number)



SEE FIGURE 17 FOR ILLUSTRATION OF PARTS

KEY NO.	PART NAME	QTY.	KHS PART NO.	ATHS PART NO.
1	Top Cabinet Assy. Enameled	1	004093	037230
2	Brace Top	2	C15301	C15301
3	Plate Cover Ptd.	1	035176	035176
4	Gasket	2	035177	035177
5	Handle Spring	1	025516	025516
8	Cordset/Cover Plate Assy.	1	038085	016186
9	Back Cabinet Assy. Ptd.	1	038082	037201
10	Collar Flue Painted	1	036280	036280
11	Bracket Channel Lt. Ptd.	1	037203	037203
12	Bracket Channel Rt. Ptd.	1	037202	037202
13	End Cabinet Assy. Enameled	1	009047	037199
14	Gasket Glass	1	035179	035179
15	Glass	1	033971	033971
16	Frame Glass & Brass Assy.	1	035178	035178
17	Front Cabinet Assy.	1	037897	037898
18	Logo & Fasteners Kit	1	037899	037900
19	Box Left Ptd.	1	038089	037206
20	Box Right Assy. Ptd.	1	038093	037231
21	Bottom Right Box Ptd.	1	037208	037208
22	Control Speed Adjusted	1	035262	035262
23	Knob	1	011656	011656
24	Louver Grille Assy. Ptd.	1	038081	037200
25	Label LO/HI	1	035552	035552
26	Levelers Bagged (4/Bag)	1	016529	016529
27	Handle 3/4 Dia. Ball	1	019848	019848
28	Handle Air Slide Ptd.	1	037901	037901
29	Housing Air Slide	1	032209	032209
30	Spacer	2	P5138	P5138
31	Insulation	1	035181	035181
32	Connector & Wire Assy.	1	035184	035184
33	Pad	2	035968	035968
34	Blower Assy.	1	035165	035165
35	Pedestal Assy. Ptd.	1	035408	035408
36	Pan Ash Assy.	1	034290	034290
37	Door Cabinet Enameled	1	038087	036782
38	Cabinet Door Catch Assy.	1	038174	038174
39	Handle & Screw Assy.	1	011335	021779
40	Slide Air	1	032210	032210
41	Hinge Painted	2	036781	036781
42	Pin Hinge	4	P626	P626
43	Door (Feed) & Handle Assy. (See Fig. - For Components)	1	035401	035401
44	Curtain Smoke Ptd	1	035144	035144
45	Rod Stone Kit	1	035409	035409
46	Curtain Smoke & Fasteners	1	035411	035411
47	Insulation	1	035183	035183
48	Wrap (For 2 Combusts) Kit	1	036432	036432
49	Retainer Ash Ptd.	1	035413	035413
50	Door (Ash) & Handle Assy. (See Fig. - For Components)	1	035399	035399
51	Grate Large	2	035308	035308
52	Grate Small	1	035309	035309
53	Probe Thermometer	1	037212	037212
54	Shield Flame Impingement	1	035072	035072
55	Combustor Catalytic	2	035199	035199
**	Label Test Performance	1	037748	037214
**	Label Bypass Damper	1	036496	036496
	**Not Shown			

25 - S

PO-12490
7-26-85

20 - S

FIGURE 18

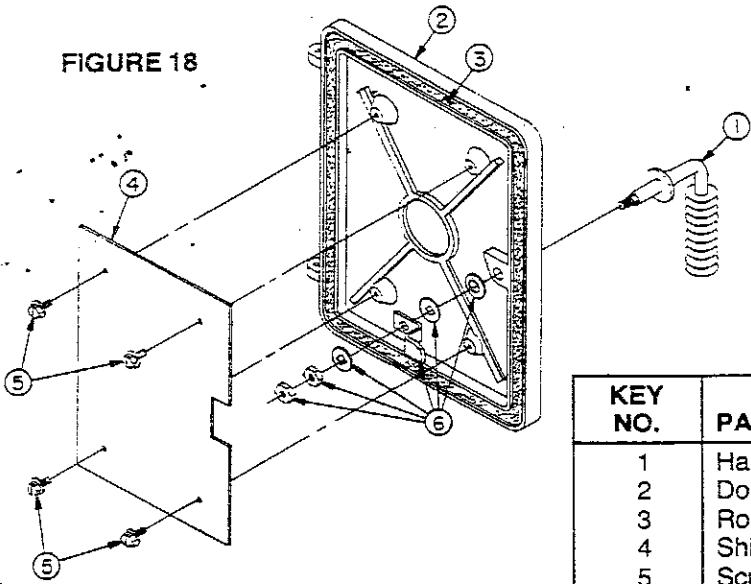


FIGURE 18
(FUEL FEED DOOR REPAIR PARTS)

KEY NO.	PART NAME	QTY.	PART NO.
1	Handle Assy.	1	015905
2	Door Feed & Rope Assy.	1	035400
3	Rope Fiberglass	1	009535-03
4	Shield Door Radiation Ptd.	1	035402
5	Screw 1/4 x 1/2 Long Mach	4	*
6	Latch & Latch Fasteners	1	035395
*Purchase Locally			
NOTE: The Complete Feed Door Assembly May Be Ordered By Using Part Number 035401 Or Individual Components May Be Ordered As Described Above.			

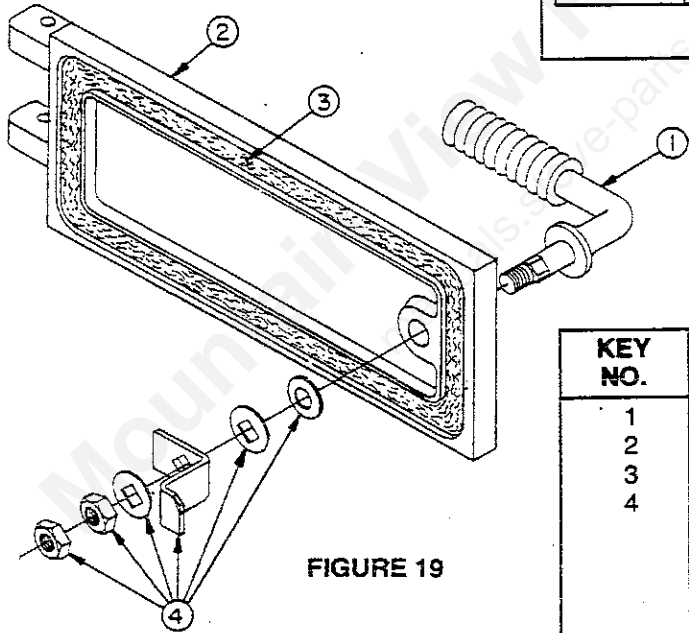


FIGURE 19
(ASH DOOR REPAIR PARTS)

KEY NO.	PART NAME	QTY.	PART NO.
1	Handle Assy.	1	015905
2	Door Ash & Rope Assy.	1	035756
3	Rope Fiberglass	1	012053-01
4	Latch & Latch Fasteners	1	035395
NOTE: The Complete Ash Door Assembly May Be Ordered By Using Part Number 035399 Or Individual Components May Be Ordered As Described Above.			

A FINAL WORD

While every effort has been made to make these instructions as complete and informative as possible, some installation or operating conditions may not be covered. If you have questions not answered here, please contact your Atlanta Stove dealer or your local building or fire inspector.

SAVE THIS MANUAL FOR FUTURE REFERENCE.

Atlanta Stove

FORM NO. 037250-0-188

ATHS

ATLANTA STOVE
P.O. Box 5254, Atlanta, GA 30307