



B36

Blower Kit Instruction Sheet

ASSEMBLY INSTRUCTIONS

Step 1.

THE BLOWER ASSEMBLY MUST BE DISCONNECTED FROM THE SOURCE OF ELECTRICAL SUPPLY BEFORE ATTEMPTING THE INSTALLATION.

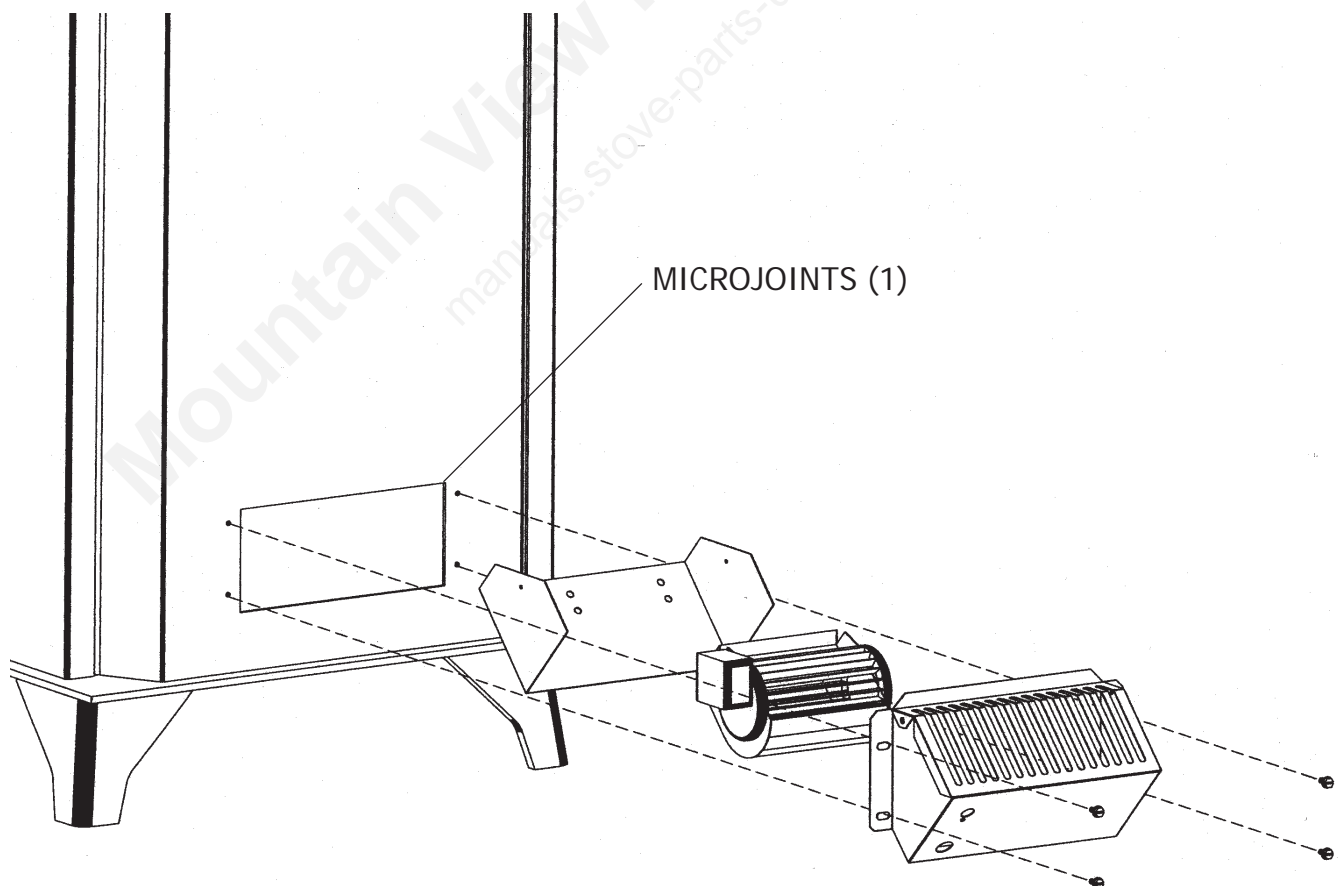
With pliers, cut the 6 microjoints and remove panel (1). Note: Discard the panel.

Step 2.

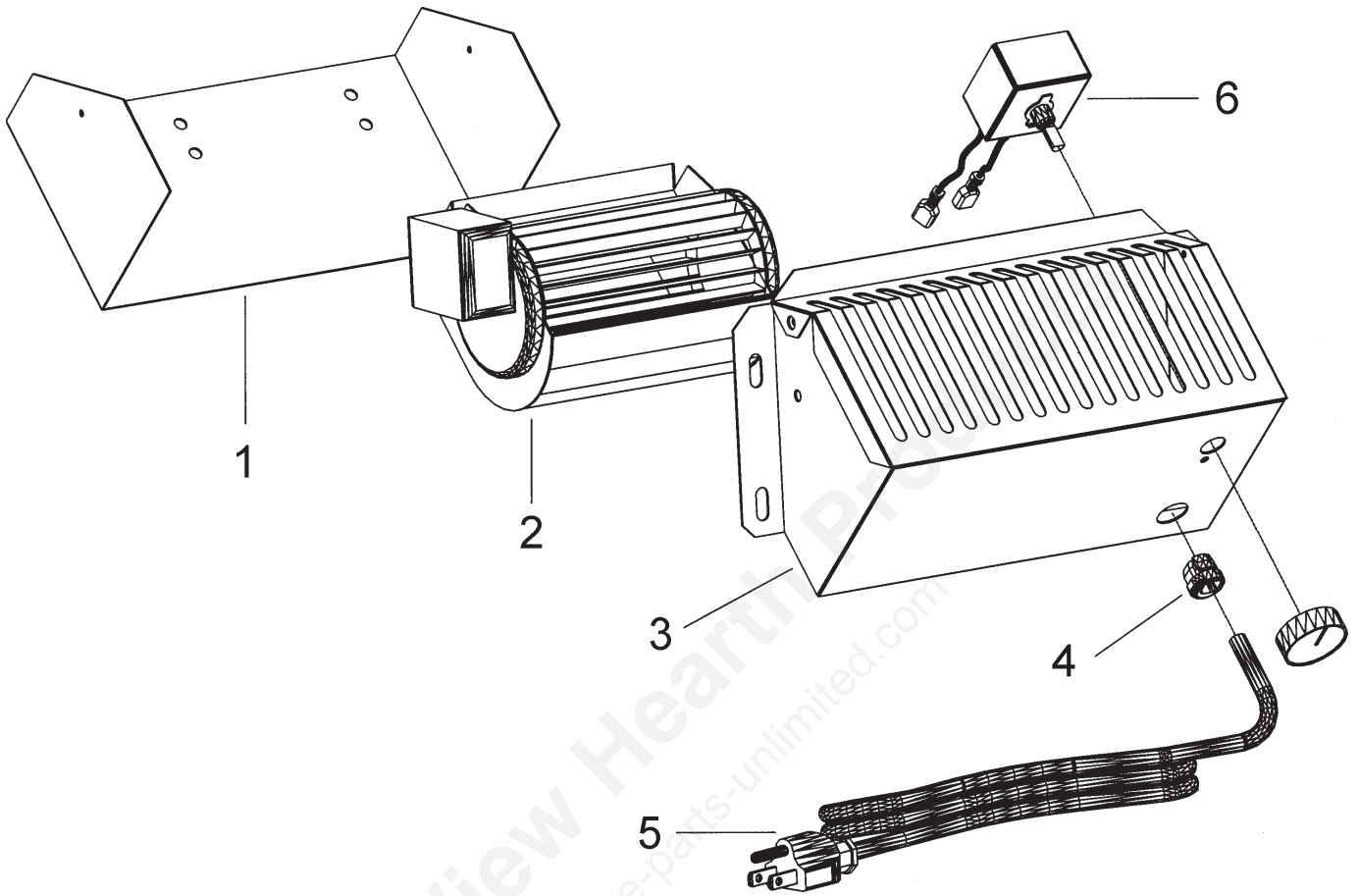
Fix the assembly to the back of the stove with the four screws provided.

THE BLOWER ASSEMBLY IS INTENDED FOR USE ONLY WITH A STOVE THAT IS MARKED TO INDICATE SUCH USE.

DO NOT ROUTE THE SUPPLY CORD NEAR OR ACROSS HOT SURFACES!



B36 Parts and Parts List



KEY	DESCRIPTION	PART NO.	QTY.
1	Blower Housing Back	25089B	1
2	Blower Motor	80442	1
3	Blower Housing Front	25090B	1
4	Strain Relief Bushing	80109	1
5	Power Supply Cord	80232	1
6	Rheostat w/Nut and Knob	80090	1
N/S	10AB x 3/8 Hex Zinc Screw	83222	8
N/S	#12 x 3/4 Teks Screw	C23799	4