

Instruction Sheet



BLOWER KIT Model B60



To install the B60 - Blower Kit open the lower grill and follow the instructions below:

1. Remove knock out from 2x4 box as shown in Figure A.
 2. Attach romax connector to hole.
 3. Remove knockout from rear of box.
 4. Mount 2x4 box.
 5. Attach romax connector to 9660 through the 2x4 junction box and run romax wire through. Tighten clamp on wire. (If conduit is preferred, use appropriate fittings.)
 6. Slide blower motor in the unit on the right side of the control valve. Then mount blower motor as shown in Figure B.
 7. Mount snap disc to snap disc bracket. Next mount snap disc bracket to inside of heater on the same side as the junction box. See Figure C.
 8. Attach ring of ground wire to the screw opening above the gas pipe hole (Figure A).
 9. Assemble rheostat to rheostat bracket. (See Figure D). Also attach the male 1/4" insulated connector to the leads of the rheostat.
 10. Wire together components using wiring diagram (Figure E).
 11. After system is wired mount rheostat bracket.
- NOTE: MOUNT ALL COMPONENTS ON THE SAME SIDE (RIGHT OR LEFT).

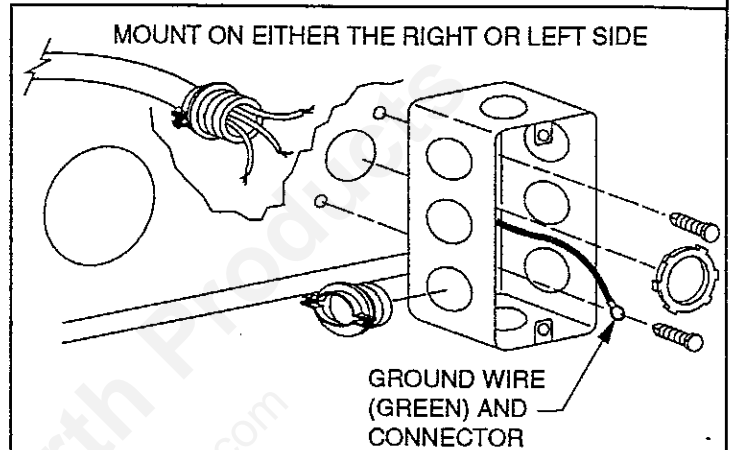


FIGURE A

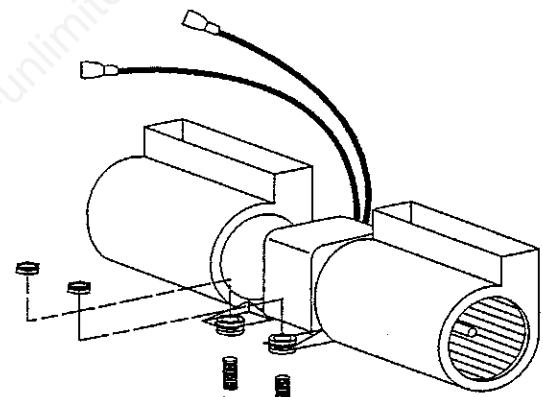


FIGURE B

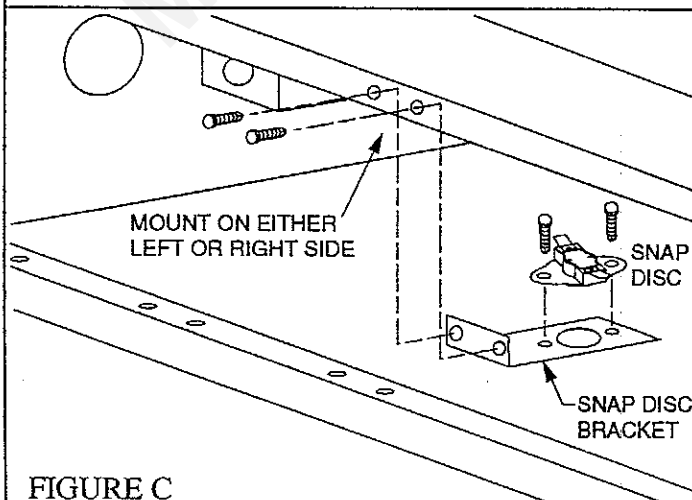


FIGURE C

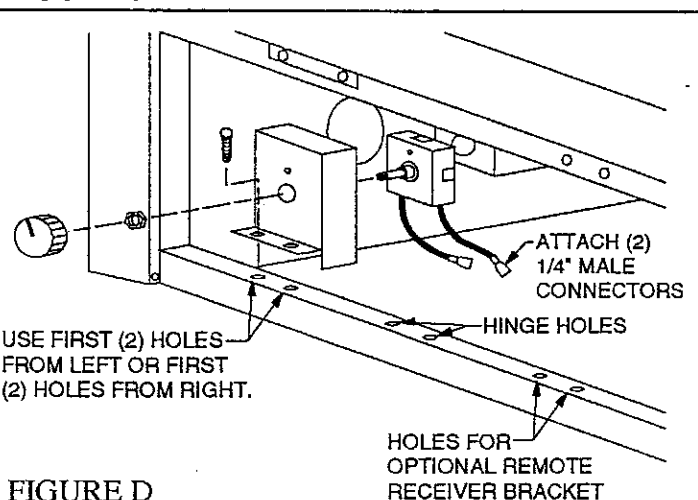


FIGURE D

