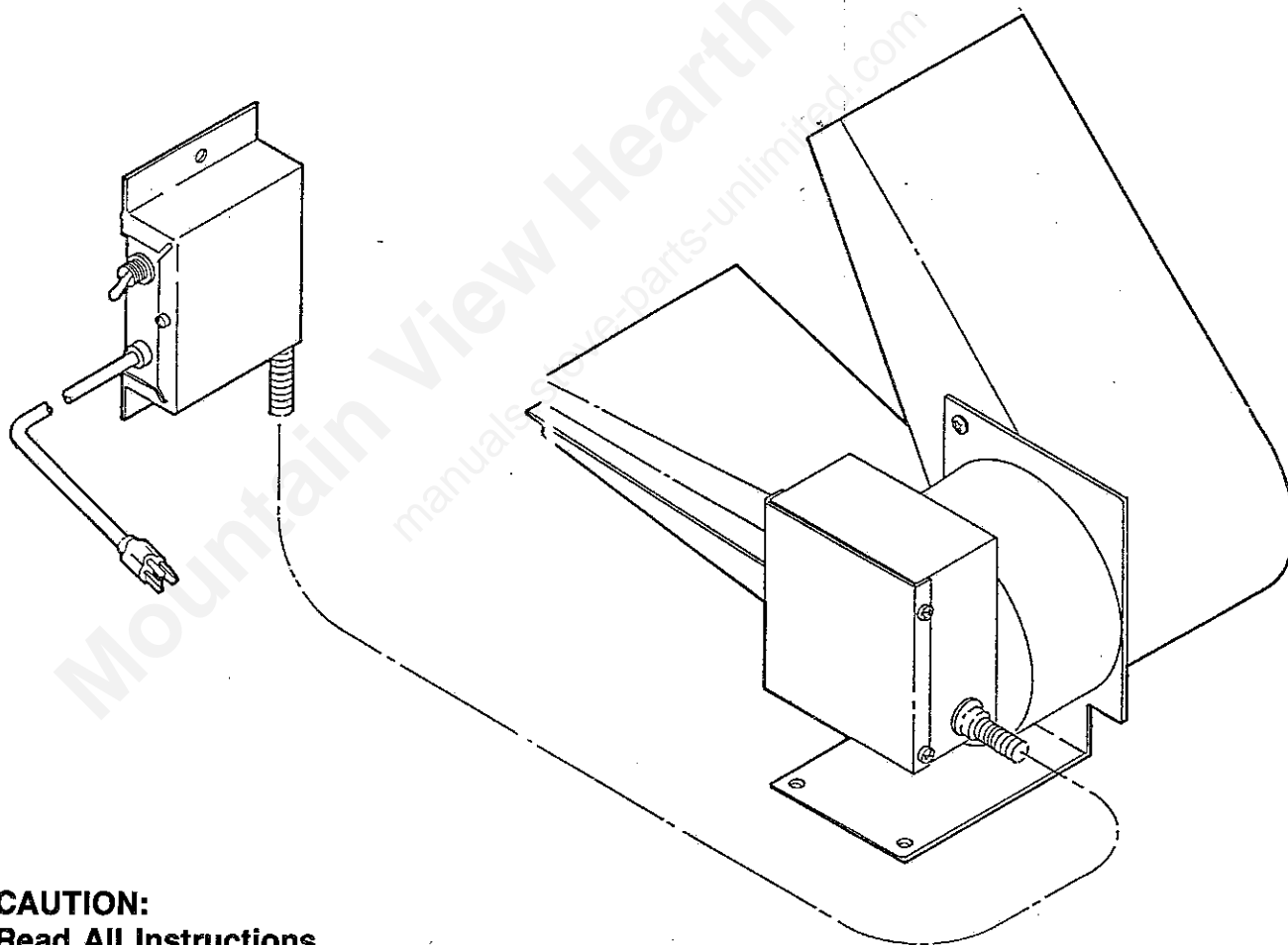


BLOWER KIT FOR 8900 SERIES VENTED GAS HEATERS MODEL F89

- Installation
- Operation
- Maintenance
- Repair Parts



CAUTION:
Read All Instructions
Carefully Before Starting
The Installation

SAVE THIS MANUAL FOR FUTURE REFERENCE



UNITED STATES STOVE COMPANY

3500 North Hawthorne Street — P.O. Box 5349
Chattanooga, Tennessee 37406 — (615) 698-3435

FORM 85668 5/89

introduction

Your Blower Kit is shipped in two parts. It is completely wired and ready for attachment to your Gas Heater.

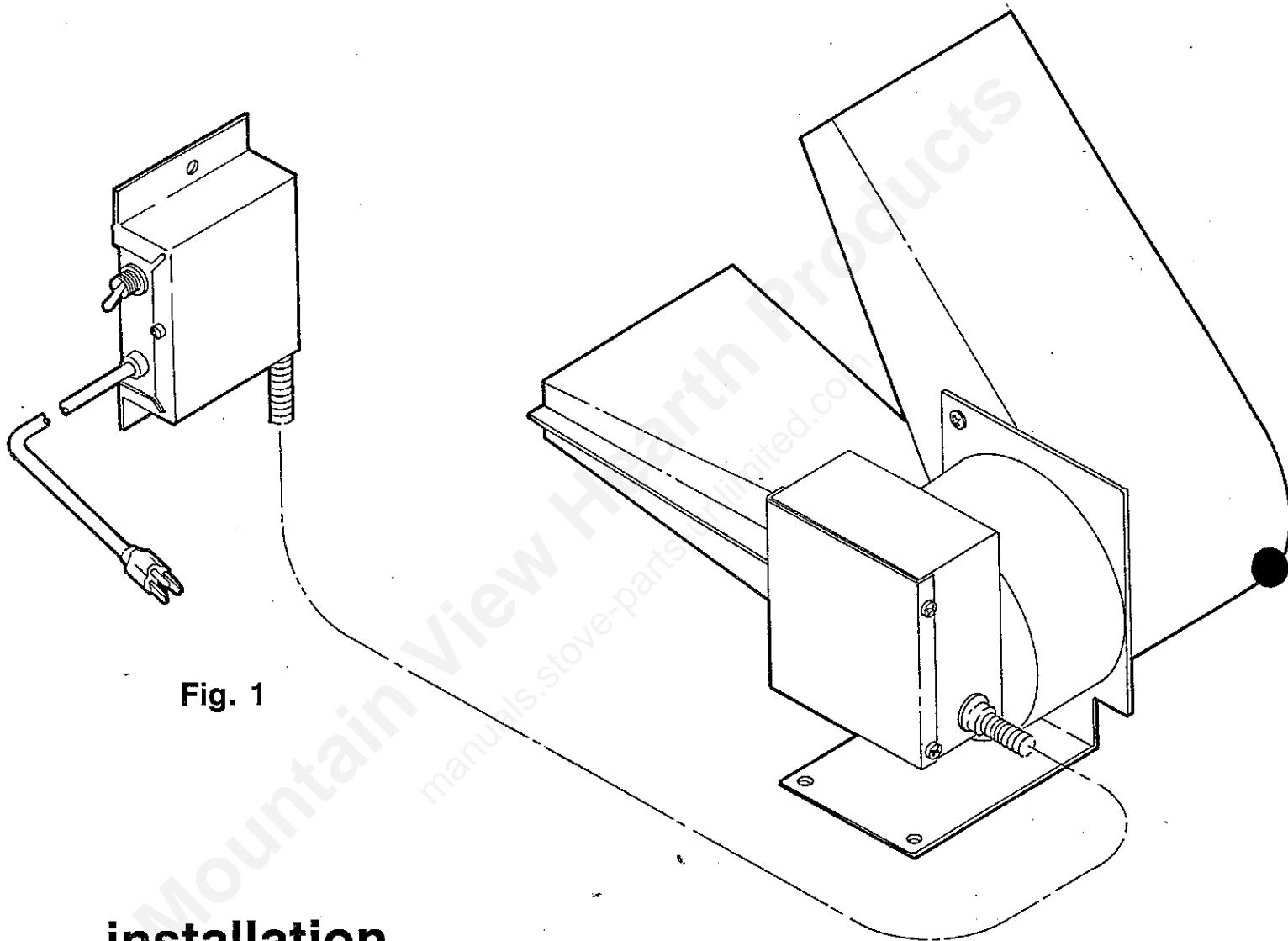


Fig. 1

installation

1. Attach blower housing to the base pan of heater. Align housing with holes in base pan and attach with (2) sheet metal screws provided.
2. Align top duct with holes in blower housing and attach with (2) sheet metal screws. See fig. 2.
3. Attach the control box to left side of heater as shown, using (2) sheet metal screws. NOTE: make certain control box conduit is routed behind vent safety switch wiring.

operation

1. Plug the power supply cord into a 120 Volt A. C. outlet.
2. Light the Heater.
3. Turn the switch on the Blower Control Box to either ON position. In the ON/MANUAL position, the blower will run until you turn it off. In the ON/AUTOMATIC position, the plower will turn on when the heater reaches operating temperature and will turn off when the heater has cooled.

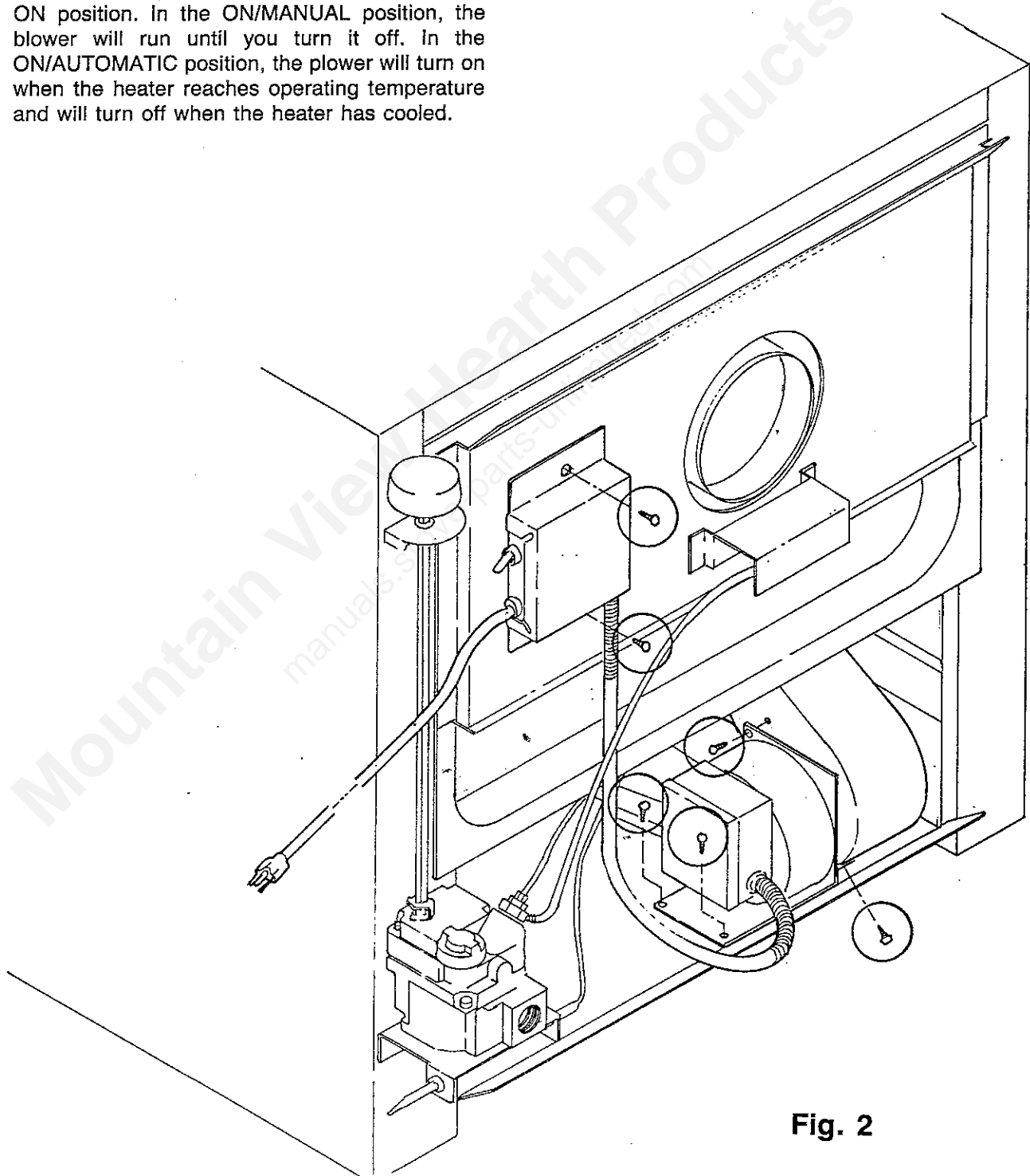


Fig. 2

repair parts

Model F89

When Ordering Repair Parts Always Give The Following:

1. The Heater Model Number
2. The Blower Model Number: F89
3. The Part Number
4. The Part Description

Key No.	Part No.	Description
1	21807	Conduit
2	80260	Blower
3	83222	Sheet Metal Screw — 10Bx3/8 Serrated Hex Washer (5 Req'd)
4	83245	Sheet Metal Screw — 10Ax3/8 Serrated Hex Washer, Slotted (9 Req'd)
5	80146	Limit Switch (Adjustable)
6	80085	Jumper Wire
7	22833	Power Supply Cord
8	80109	Strain Relief Bushing
9	21973	Mounting Control Plate
10	80004	3-Way Toggle Switch
11	80069	Conduit Locknut (2 Req'd)
12	80062	Connector
13	83801	Anti-Short Bushing
14	80110	Jumper Wire
15	21271	Control Cover
16	68347	Chute Assembly
17	68346	Top Duct Assembly
18	23110	Blower Mounting Plate
19	80086	Conduit Fitting
*	83369	1/4 20 Stud (2")
*	89391	Rubber Bumper

* Not Shown

IF ANY OF THIS ORIGINAL WIRING MUST BE REPLACED, IT SHOULD BE REPLACED BY WIRING HAVING EQUIVALENT INSULATION AND TEMPERATURE RATING (105°C).

WIRING DIAGRAM

