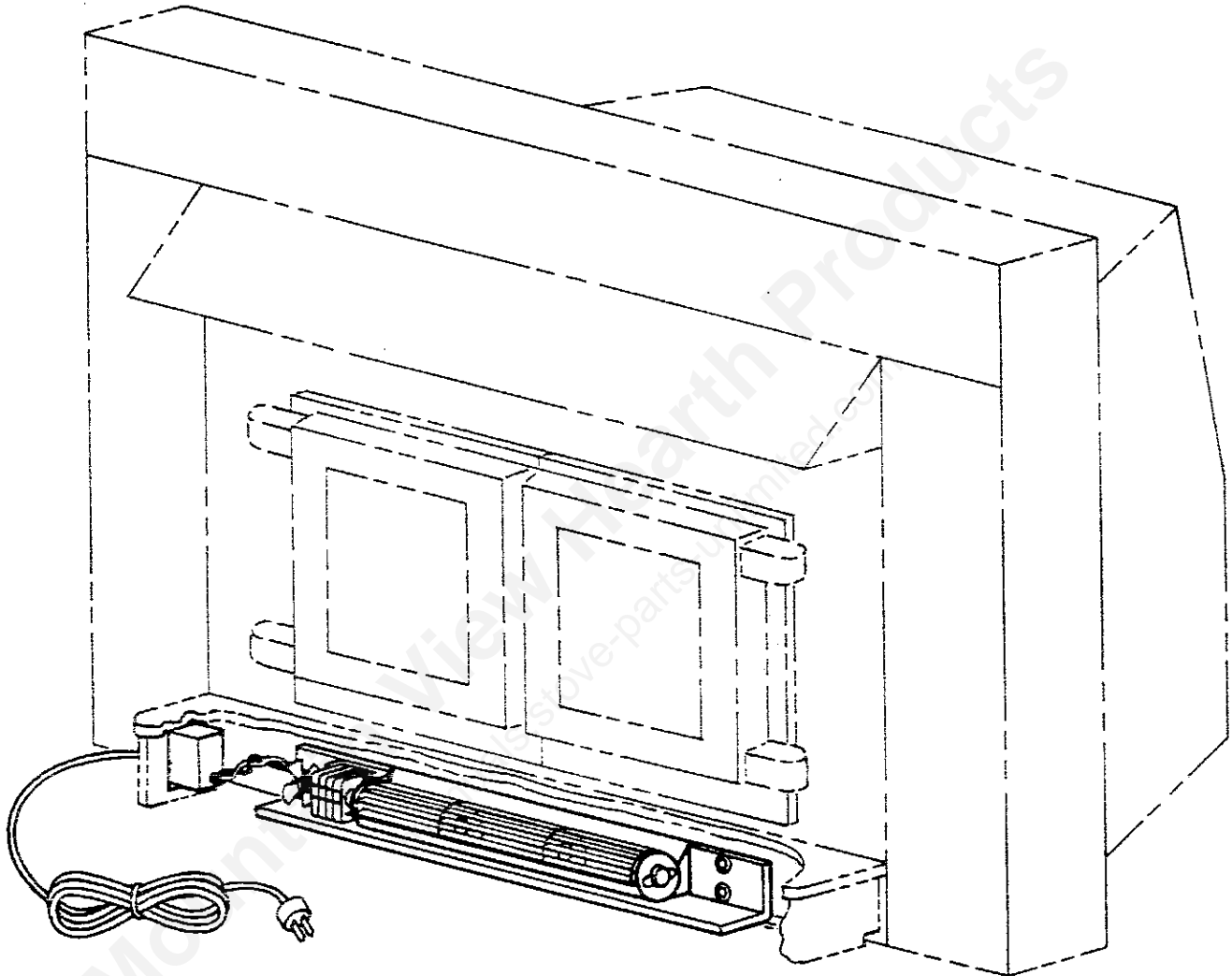


owners manual
Model F-34 Blower Kit

WITH VARIABLE SPEED CONTROL



CAUTION:

Read All Instructions
Carefully Before Starting
The Installation or
Operating The Blower

Save This Manual
For Future Reference

**For Use With The
Models FH-24 and FH-30
Forester Heaters**

- Assembly
- Installation
- Operation
- Repair Parts



UNITED STATES STOVE COMPANY

P. O. Box 5349, Chattanooga, Tennessee 37406

FORM 85284-A 11/81

INTRODUCTION

The Accessory Blower is shipped assembled and wired ready for installation on your Forester Fireplace Heater. The Parts Bag contains the mounting screws, lock washers and the control knob.

This Blower features a Variable Speed Control that permits you to adjust the Blower Motor Speed. Faster speeds increase the flow of heated air into the room. Adjust the speed to the level of comfort that's desired.

INSTALLATION

CAUTION: Be sure the fire is out and the Heater is cool before installing Blower Kit.

The Blower is installed underneath the hearth extension.

STEP 1 - Remove the four screws that attach the decorative screen beneath the hearth extension.

STEP 2 - Place the Plate with the blower underneath the hearth extension (as shown in Fig. 1).

STEP 3 - Align the blower plate with the four mounting holes that are drilled and tapped on the front of the Fireplace Heater underneath the hearth extension. The plate is to be mounted with the motor on the left hand side as shown in the illustrations.

STEP 4 - Install the four bolts and lock-washers to attach the Blower Plate to the front of the Fireplace Heater. Tighten these bolts securely.

STEP 5 - Mount the variable control box to left hearth extension side as shown in Fig. 1. Use black screws included in parts bag.

STEP 6 - Feed the power supply cord through the rectangular notch at the back of the hearth extension side and connect the motor wires plug to the back of the speed control box. Be sure the motor wires are held by the wire clip away from the cooling fan.

STEP 7 - Rotate the Blower by hand to be sure that it turns freely. **NOTE:** If the white plastic cooling fan hits the motor as it is rotated, the fan may be pulled away from the motor by sliding it along the motor shaft.

STEP 8 - Install the screen that was removed in Step 1.

STEP 9 - Install the knob on the combination ON/OFF switch and speed control.

OPERATION

1. Plug the power supply cord into a 120 Volt, 60 Hertz A.C. grounded outlet.
2. Turn the Knob clockwise to turn the Blower ON. The Blower will start at its maximum operating speed.
3. Rotate the Knob clockwise to reduce the speed of the Blower to the desired setting.

The Blower speed may be adjusted to provide the desired amount of warm air circulation within the room.

MAINTENANCE

Be sure that screen in front of the blower remains clean and unobstructed.

Oil the bearings on the fan and motor with one or two drops of S.A.E. 20 oil a minimum of twice a year.

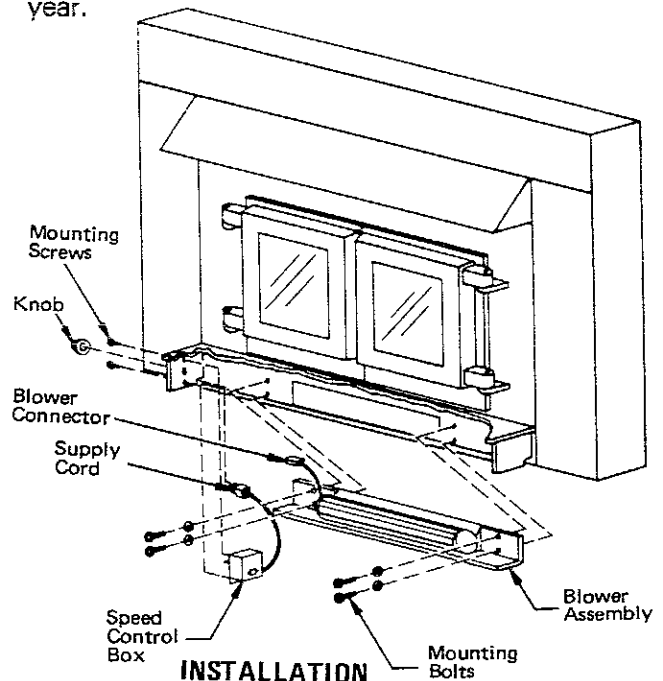
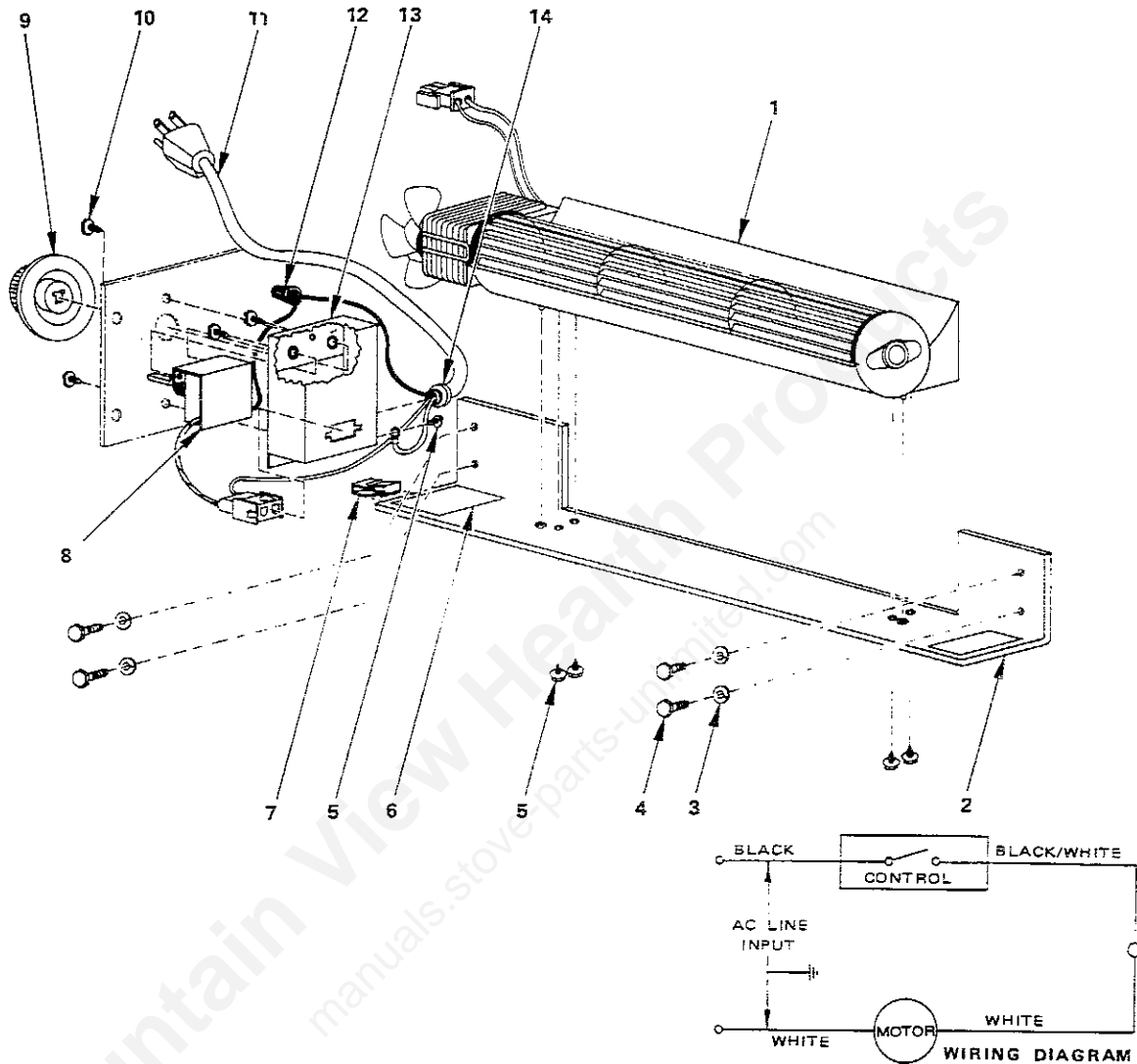


FIGURE 1

repair parts Model F-34



Key No.	Part No.	Description
1	67660	Fan and Motor
2	21726	Mounting Plate
3	83108	1/4" Lock Washer (4 Req'd.)
4	83188	1/4"-20 x 3/4 Hex Head Bolt (4 Req'd.)
5	83174	Sheet Metal Screw 10A x 3/8 (4 Req'd.)
6	85286	Wiring Diagram
7	83840	Wire Clip
8	80090	Speed Control Switch
9	89157	Blower Knob
10	83134	10AB x 1/2 Black Sheet Metal Screw (2 Req'd.)
11	80099	Supply Cord
12	80006	Wire Nut (73B)
13	21816	Control Box
14	83814	Strain Relief Bushing

owners manual

HOW TO ORDER REPAIR PARTS

THIS MANUAL WILL HELP YOU TO OBTAIN EFFICIENT, DEPENDABLE SERVICE FROM THE HEATER, AND ENABLE YOU TO ORDER REPAIR PARTS CORRECTLY.

KEEP IN A SAFE PLACE FOR FUTURE REFERENCE.

WHEN WRITING, ALWAYS GIVE THE FULL MODEL NUMBER WHICH IS ON THE NAMEPLATE ATTACHED TO THE BACK OF THE HEATER.

WHEN ORDERING REPAIR PARTS, ALWAYS GIVE THE FOLLOWING INFORMATION AS SHOWN IN THIS LIST:

1. The PART NUMBER
2. The PART DESCRIPTION
3. The MODEL NUMBER
4. The NAME of ITEM

UNITED STATES STOVE COMPANY
P. O. Box 5349
Chattanooga, Tennessee 37406