

KO82

Instruction Sheet



BLOWER KIT

F40



The F40 Blower Kit is an option for the 9740 Vent-Free Pedestal Gas Heater. Read and follow these instructions to properly install the Blower. **IMPORTANT: BEFORE INSTALLING BLOWER KIT, REMOVE CENTER SCREW FROM THE INSIDE OF THE FIREBOX AS SHOWN IN FIGURE 1.**

1. Check all parts included with the parts list and make sure all parts needed are included. If anything is missing or damaged, contact our parts department at (423) 837-2100. **NOTE:** The Blower kit should come fully assembled for your convenience. All that will have to be done to complete the installation is to mount the blower kit to the back of the 9740 Gas Heater.

2. Attach the blower box to the back of the heater with three (3) of the #10 x 1/2" screws supplied in the parts bag. (See figure 1)

3. Next, attach the blower box to the pedestal using the four (4) remaining screws supplied in the parts bag. Use two of the self-tapping screw per side. (Figure 2)

4. Attach the Rheostat knob, if not already done.

5. Plug up the blower to outlet and control blower with the rheostat knob on the rear of the box.

WARNING: ELECTRICAL GROUNDING INSTRUCTIONS. This appliance is equipped with a three-prong (grounding) plug for your protection against shock hazard and should be plugged directly into a properly grounded three-prong receptacle. Do not cut or remove the grounding prong from this plug.

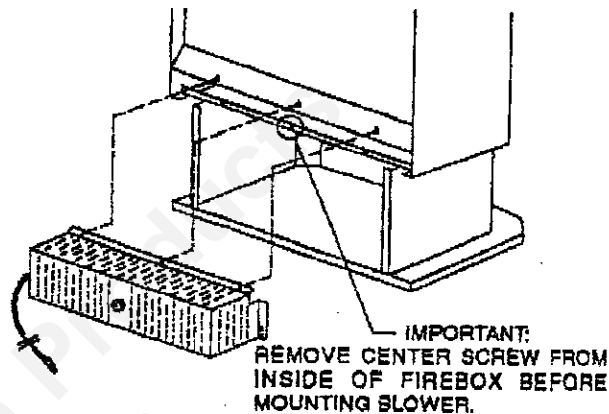


Figure 1

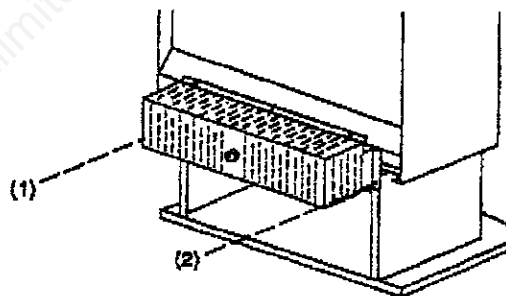
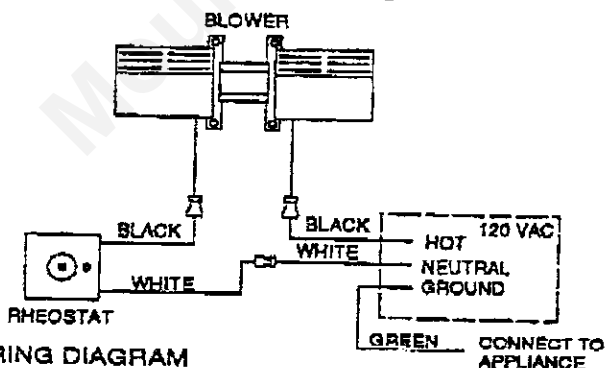
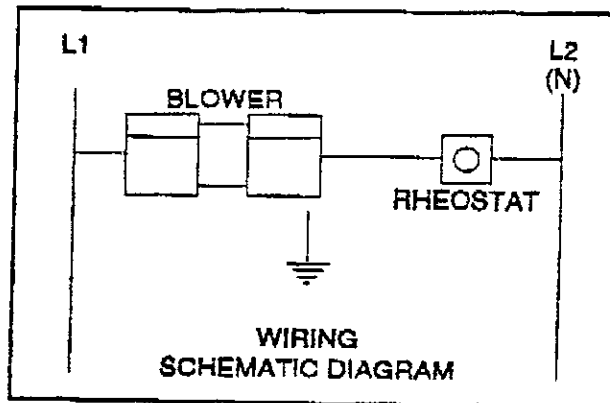


Figure 2



WIRING DIAGRAM

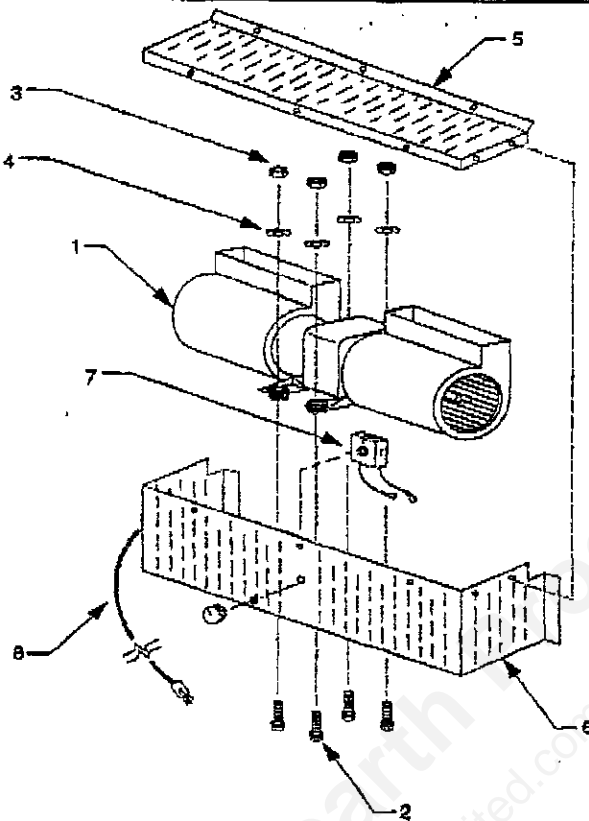


WIRING SCHEMATIC DIAGRAM

UNITED STATES STOVE COMPANY

227 INDUSTRIAL PARK ROAD • P.O. BOX 151 • SOUTH PITTSBURG, TN 37380 • (423) 837-2100

851245C 9/87



PARTS LIST

KEY	DESCRIPTION	PART#	QTY.
1	BLOWER	80337	1
2	MACHINE SCREW (10-24 X 3/4")	83098	4
3	KEP NUT (10-24)	83244	4
4	#10 FLAT WASHER	83278	4
5	BLOWER BOX TOP	24526	1
6	BLOWER BOX BOTTOM	24525	1
7	RHEOSTAT W/NUT	80090	1
-	RHEOSTAT KNOB (INCLUDED WITH RHEOSTAT)	-	1
8	POWER SUPPLY CORD	80232	1
N/S	STRAIN RELIEF	80109	1
N/S	MALE TERMINALS	80391	3
N/S	FEMALE TERMINALS	80083	1
N/S	#10 x 1/2" SCREW	83172	7
N/S	#10 x 1/2" SELF-TAP SCREW (PARTS BAG)	83343	7
N/S	GROUNDING SCREW	80220	1

N/S = NOT SHOWN

UNITED STATES STOVE COMPANY

227 INDUSTRIAL PARK ROAD • P.O. BOX 151 • SOUTH PITTSBURG, TN 37380 • (423) 837-2100