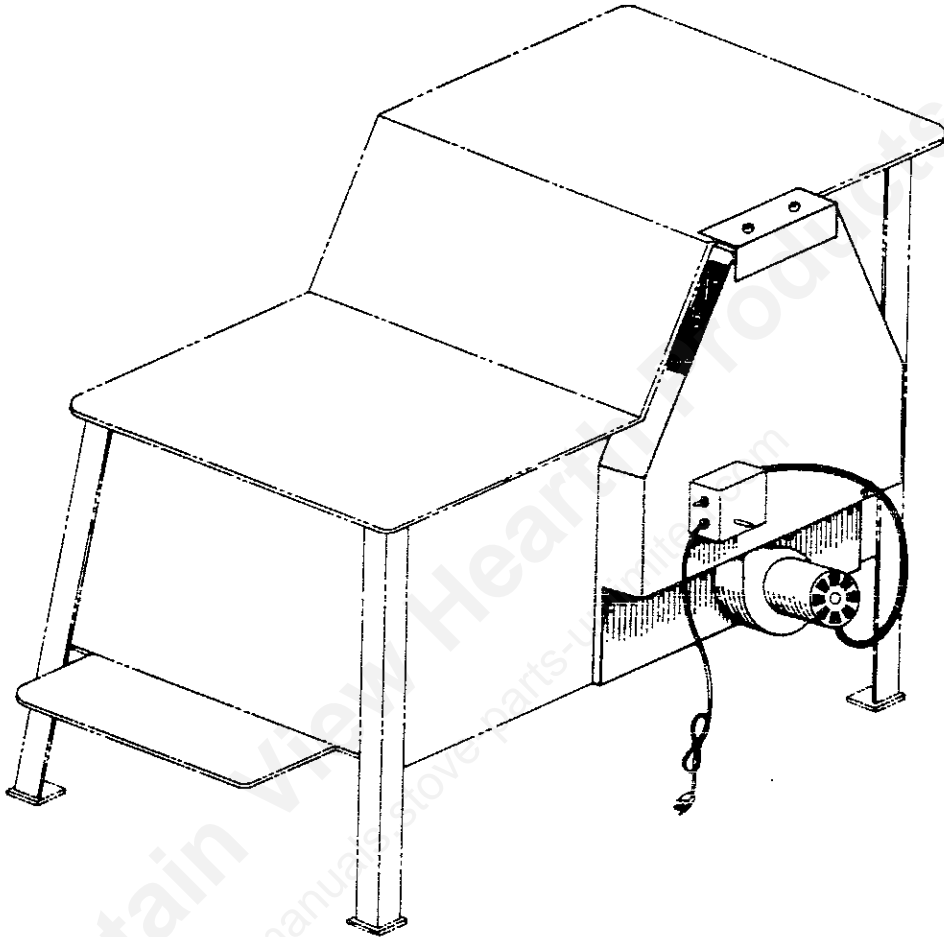


owners manual

# Model F-80 Blower Kit



**CAUTION:**

Read All Instructions Carefully Before Starting The Installation or Operating The Blower.

**For Use With The  
Models 280 and 320**

- Assembly
- Installation
- Operation
- Repair Parts

Save This Manual  
For Future Reference.

**Forester Heaters**



**UNITED STATES STOVE COMPANY**

P. O. Box 5349, Chattanooga, Tennessee 37406

FORM 85260 7/79

## INTRODUCTION

The Accessory Blower is shipped assembled and wired ready for installation on your wood burning radiant heater. The Parts Bag that is packed in the carton contains a Cover Plate that must be installed in accordance with the installation instructions below.

**CAUTION:** Be sure the fire is out and the Heater is cool before installing Blower Kit.

## INSTALLATION

The Blower may be installed on either side of the radiant heater. It is best to install it on the side closest to a wall to obtain the most effective air circulation around a room.

**STEP 1** - There are two bent tabs on the bottom edge of the Blower Assembly. These tabs should be hooked under the bottom edge of the heater as shown in Figure 1.

**STEP 2** - With the tabs hooked under the edge of the heater, pivot the Blower Assembly toward the heater until the Blower is tight against the side of the heater.

The heater TOP should slip into the SLOT of the Blower Assembly as shown in Figure 2.

**STEP 3** - While holding the Blower tightly against the side of the heater, tighten the two screws at the top of the Blower Assembly. These screws should be firmly tightened until the Blower is squeezed securely against the top.

**STEP 4** - Remove the Outlet Cover and the two sheet metal screws from the Spare Parts Bag. The Cover should be installed on the Blower Assembly over the rear outlet slot as shown in Figure 3. Installation of this cover assures that all of the heated air is discharged forward into the room.

**STEP 5** - If necessary, the tabs that attach the blower to the bottom edge of the heater may be tightened using a pair of heavy pliers. Squeeze the tabs until they firmly clamp the blower to the side of the heater.

## OPERATION

The Blower will only turn "ON" when the heater is Hot regardless of the position of the switch.

1. Plug the Power Supply Cord into a 120 Volt A.C. grounded outlet only.
2. Light a fire in the heater.
3. Turn the switch on the Blower Control Box to HIGH or LOW speed position. The Blower will automatically turn ON when the heater reaches operating temperature and will turn OFF when the heater has cooled.

**NOTE:** The thermostatic fan switch can be adjusted to give longer or shorter "ON" periods by rotating the adjustment shaft on the back of the Control Box.

## MAINTENANCE

OIL THE BLOWER MOTOR TWICE A YEAR WITH 2 DROPS OF S.A.E. OIL.

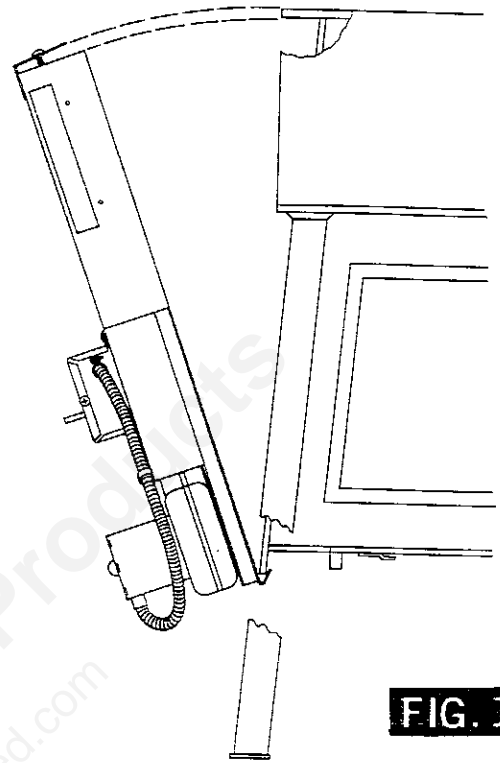


FIG. 1

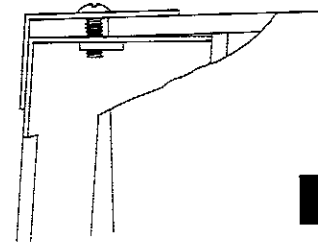


FIG. 2

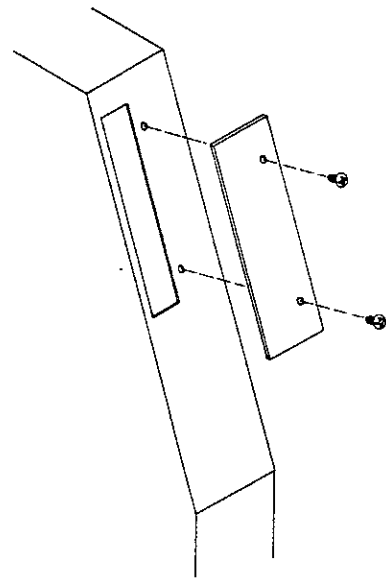
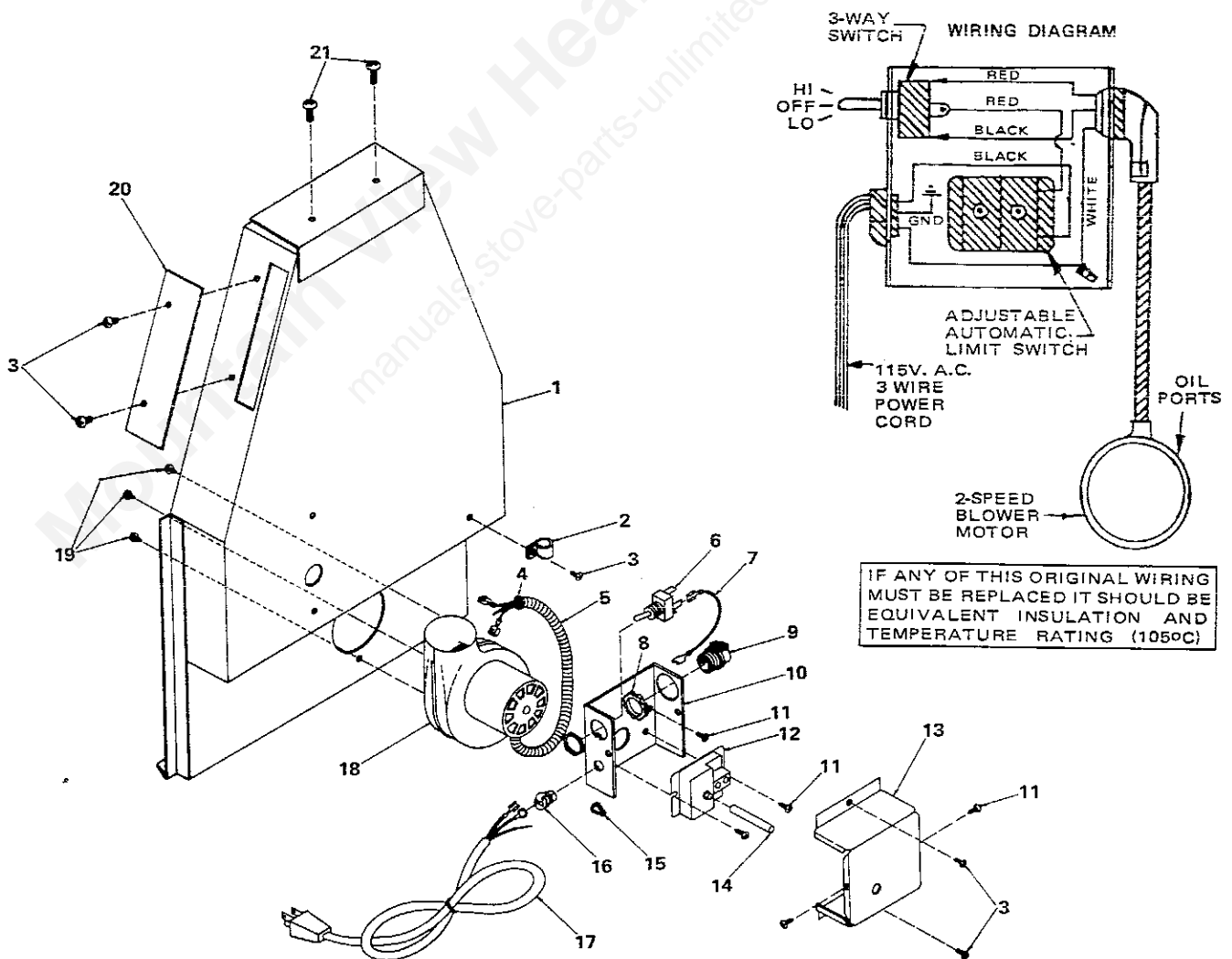


FIG. 3

ITEM	PART NAME	DESCRIPTION
	F-80	Blower Kit --- Complete
1	67577	Blower Body
2	80068	Clamp, Conduit
3	83012	No. 10 x 1/2" Slotted Hex Head Tapping Screw (5 Req'd.)
4	83801	Bushing, Anti-short (not visible)
5	80061	Conduit
6	80004	Switch, 3-way
7	80085	Wire, Jumper
8	80069	Locknut, Conduit
9	80086	Connector, Conduit
10	21270	Plate, Mounting Control
11	83017	No. 10A x 3/8" Truss Head Plated Sheet Metal Screw (5 Req'd.)
12	80007	Switch, Limit, Auto Adj.
13	21271	Cover, Blower Control
14	89009	Sleeve, Adjustment
15	80006	Nut, Wire
16	83825	Bushing, Strain Relief
17	80002	Cord, Power Supply
18	80084	Motor, Blower
19	83174	No. 10 x 3/8" Slotted Hex Washer Head Tapping Screw (3 Req'd.)
20	21693	Plate, Control
21	83010	1/4-20 x 3/4" Truss Head Machine Screw (2 Req'd.)



# owners manual

## HOW TO ORDER REPAIR PARTS

THIS MANUAL WILL HELP YOU TO OBTAIN EFFICIENT, DEPENDABLE SERVICE FROM THE HEATER, AND ENABLE YOU TO ORDER REPAIR PARTS CORRECTLY.

KEEP IN A SAFE PLACE FOR FUTURE REFERENCE.

WHEN WRITING, ALWAYS GIVE THE FULL MODEL NUMBER WHICH IS ON THE NAMEPLATE ATTACHED TO THE BACK OF THE HEATER.

WHEN ORDERING REPAIR PARTS, ALWAYS GIVE THE FOLLOWING INFORMATION AS SHOWN IN THIS LIST:

1. The PART NUMBER
2. The PART DESCRIPTION
3. The MODEL NUMBER
4. The SERIAL NUMBER

UNITED STATES STOVE COMPANY  
P. O. Box 5349  
Chattanooga, Tennessee 37406