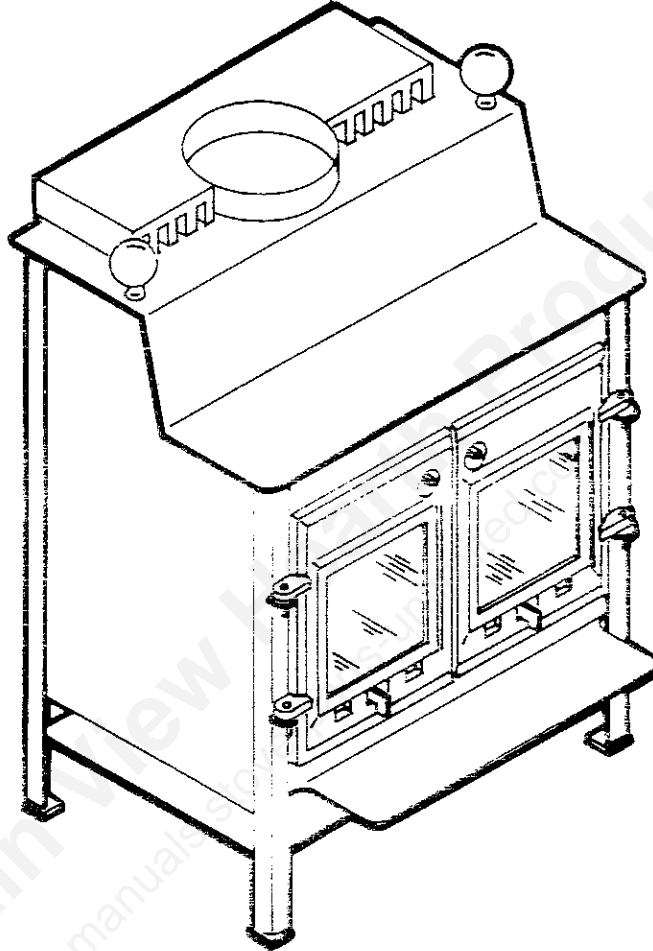


owners manual

# Model F-84 Blower Kit



**CAUTION:**  
Read All Instructions Care-  
fully Before Starting The  
Installation or Operating  
The Blower.

**For Use With The  
Model 442  
Forester Heaters**

Save This Manual  
For Future Reference.

- Assembly
- Installation
- Operation
- Repair Parts



**UNITED STATES STOVE COMPANY**

P. O. Box 5349, Chattanooga, Tennessee 37406

FORM 85342 7/81

# BLOWER KIT MODEL F-84

SAVE THIS MANUAL FOR FUTURE REFERENCE

## introduction

Your Blower Kit is shipped in three parts. It is completely wired and ready for attachment to your Woodburning Heater.

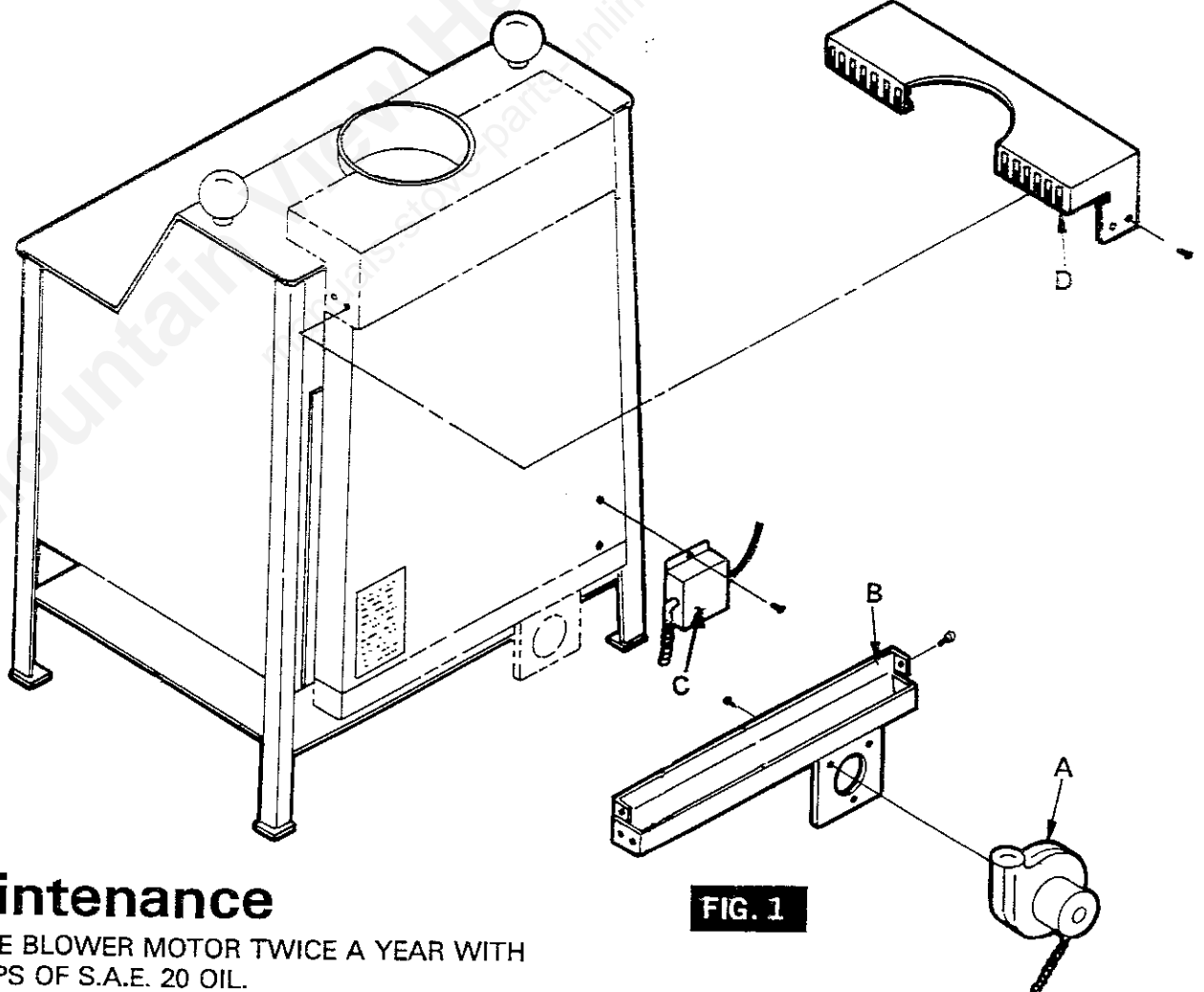
### Installation

1. Attach blower (A) to bottom cover (B) with the (3) sheet metal screws provided.
2. Mount bottom cover (B) to heater with (11) the sheet metal screws provided (See Fig. 1).
3. Mount the blower control box (C) to the heater in the lower right corner using (2) sheet metal screws provided (See Fig. 1).
4. Mount the hood (D) to the heater with the (9) remaining sheet metal screws provided (See Fig. 1).
5. The blower is now ready to operate.

## operation

1. Plug the power supply cord into a 120 Volt A. C. outlet.
2. Light a fire in the Heater.
3. Turn the switch on the Blower Control Box to HIGH or LOW speed position. The Blower will Automatically turn on when the Heater reaches operating temperature, and will turn off when the Heater has cooled.

NOTE: The blower will not operate until the thermostat senses 135-140°F on the setting for the longest "ON" times. The fan thermostat switch can be adjusted to give longer or shorter "ON" periods by rotating the adjustment shaft on the back of the Control Box.



## maintenance

OIL THE BLOWER MOTOR TWICE A YEAR WITH 2 DROPS OF S.A.E. 20 OIL.