



INSTRUCTION SHEET



F40 BLOWER KIT

The F40 Blower Kit is an option for a line of Vent-Free Pedestal Gas Heaters. Read and follow these instructions to properly install the Blower.

1. Check all parts included with the parts list and make sure all parts needed are included. If anything is missing, or damaged, contact our parts department at (423) 837-2100. NOTE: The Blower comes pre-wired for your convenience.

2. Remove the six(6) screws holding the blower box top on. Bend the tab, as shown in figure 1, in accordance to which unit you purchased.

3. Next, Bend tabs on the blower box bottom, as shown in figure 2, in accordance to which unit you purchased.

4. For the 9740, 9830, 9843, B9945, G2045 models, attach blower box bottom with the bottom clearance holes using four of the #10A x 1/2 Hex head screws supplied in the parts bag. Use the top two clearance holes for the T9945. (See figure 3.) NOTE: For easier access, use the four larger slots on the back of the blower box to tighten screws. (See figure 2.)

5. Reattach the blower box top with the same screws removed in step 2. Insert three(3) of the #10 x 1/2" Tek screws, supplied in the parts bag, into the back of the heater. (See figure 4.)

Attach the Rheostat knob, if not already done.

7. Plug up the blower to outlet and control blower with the rheostat knob on the rear of the box.

WARNING: ELECTRICAL GROUNDING INSTRUCTIONS. This appliance is equipped with a three-prong (grounding) plug for your protection against shock hazard and should be plugged directly into a properly grounded three-prong receptacle. Do not cut or remove the grounding prong from this plug.

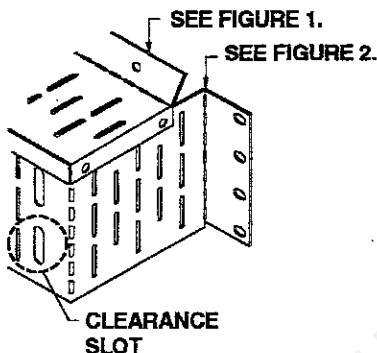


FIGURE 1
(Blower Box Top)
IMPORTANT

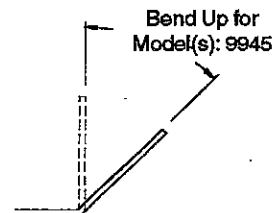


FIGURE 2
(Blower Box Bottom)
IMPORTANT

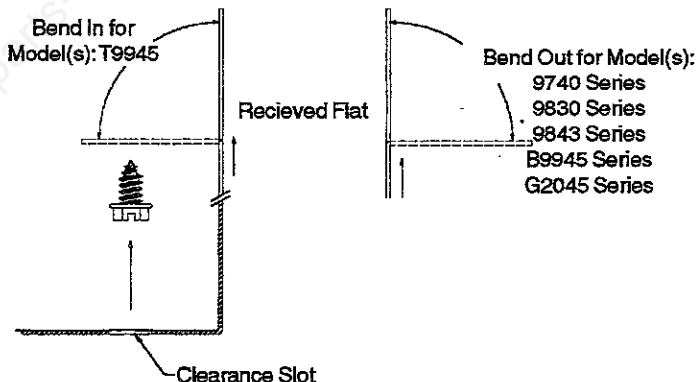


FIGURE 3
IMPORTANT

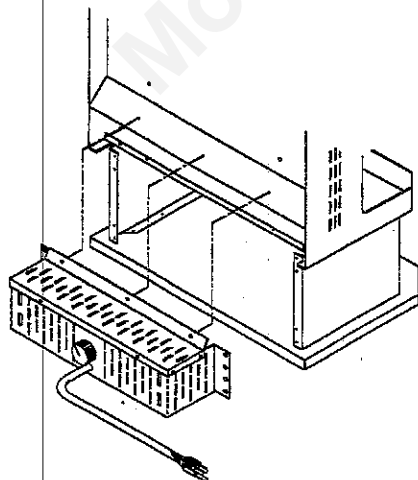
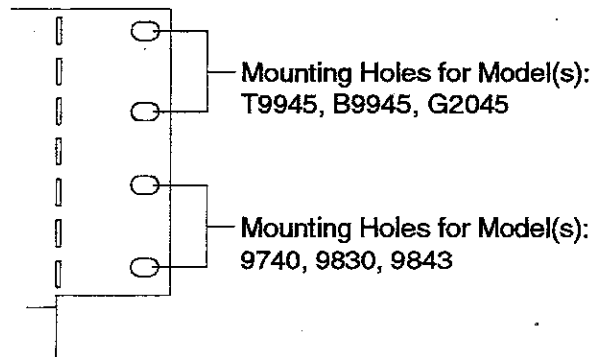


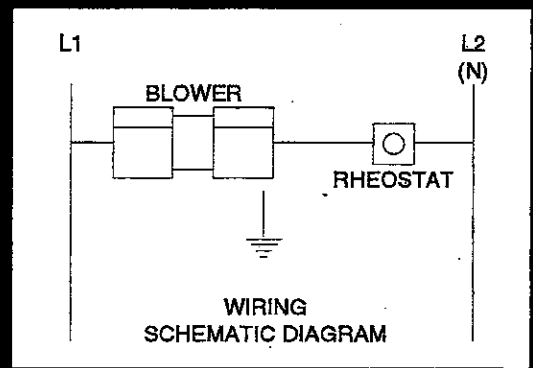
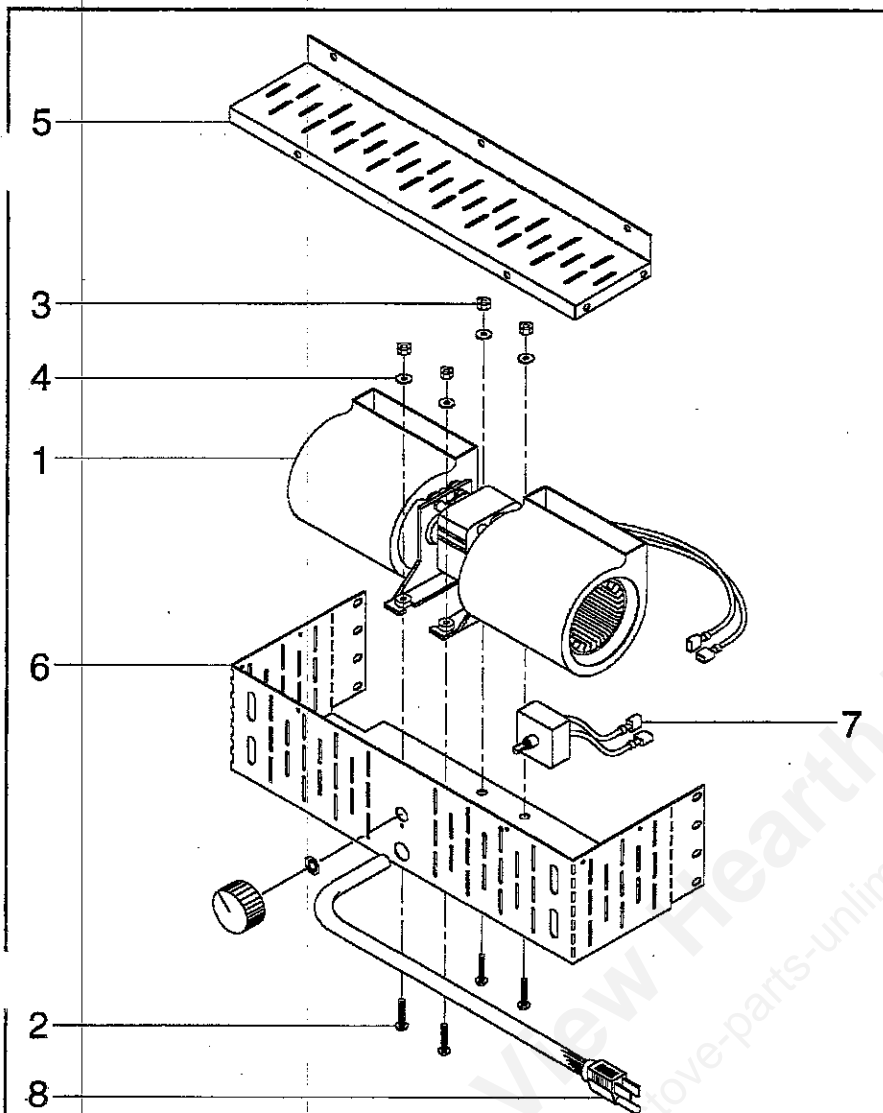
FIGURE 4



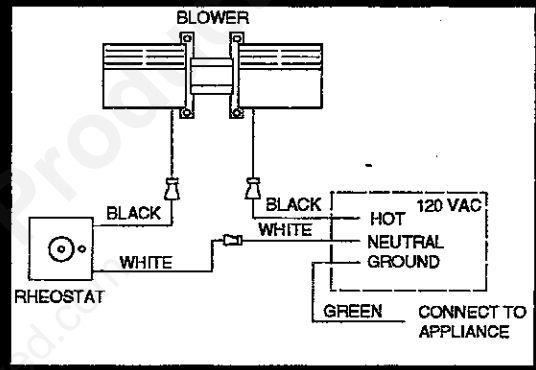
UNITED STATES STOVE COMPANY

227 INDUSTRIAL PARK ROAD • P.O. BOX 151 • SOUTH PITTSBURG, TN. 37380 • (423)-837-2100

851380A 12/00



WIRING DIAGRAM



PARTS LIST

KEY	DESCRIPTION	PART #	QTY.
1	Blower	80337	1
2	Machine Screw (10-24 x 3/4")	83096	4
3	Kep Nut(10-24)	83244	4
4	#10 Flat Washer	83278	4
5	Blower Box Top	24798	1
6	Blower Box Bottom	24797	1
7	Rheostat w/Nut	80090	1
•	Rheostat Knob (Included with Rheostat)	•	1
8	Power Supply Cord	80232	1
N/S	Strain Relief	80109	1
N/S	Male Terminals	80382	3
N/S	Female Terminals	80083	1
N/S	#10A x 1/2" Tek Screws	83172	10
N/S	#10 x 1/2" Hex Head Screw (7 in Parts Bag)	83343	7

N/S = Not Shown

UNITED STATES STOVE COMPANY

227 INDUSTRIAL PARK ROAD • P.O. BOX 151 • SOUTH PITTSBURG, TN. 37380 • (423)-837-2100