

owners manual

HEAT SHIELD KIT

HS-26A & HS-30A

For U. S. Stove Co. Franklin Fireplaces

- Installation
- Repair Parts



UNITED STATES STOVE COMPANY

South Pittsburg, TN. 37380

Home heating equipment made in America since 1869

FORM 85226 1/78

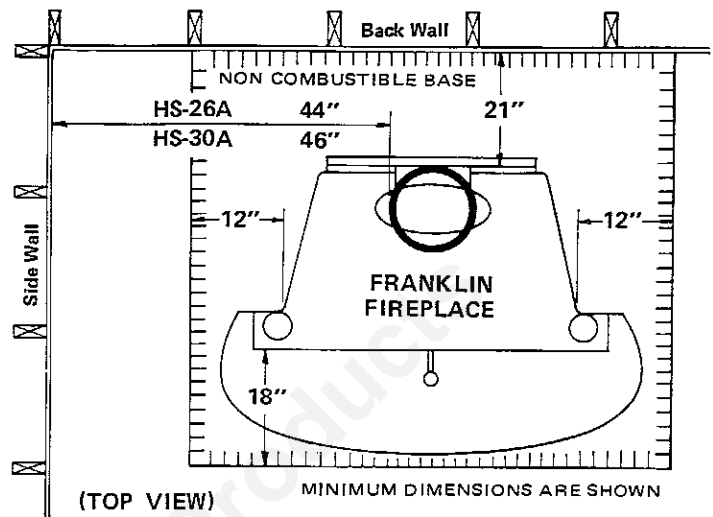
introduction

Be sure you have the right kit. Check the chart below. Check the number stamped on the kit carton. Your fireplace model number is on a plate fastened to the back.

KIT NO.	FIREPLACE MODEL NO.	FIREBOX OPENING
HS-26A	261	25 $\frac{3}{4}$ "
HS-30A	301	30"

See Research Recommendation No. 2073 of the International Conference of Building Officials. With this kit on your Franklin Fireplace, the fireplace can be placed as close as 21" to a combustible wall at the back. The side wall clearance on either side must be as shown in Fig. 1. The base under the fireplace must be non-combustible, (1 $\frac{1}{2}$ " min. thick patio stone or brick with asbestos board or steel under the stove.)

FIG. 1 MINIMUM CLEARANCES
TO COMBUSTIBLE SURFACES



installation

Your kit includes the parts shown on page 3. Unpack and identify each item. Then follow the step by step instructions. No drilling is required. All of the parts are mounted using existing bolts and holes, and supplied mounting hardware.

1. The Inner Rear Liner Key No. 1

Place this liner inside the Franklin against back wall. Bolt it in place with the same bolts used to attach the rear leg.

2. The Bottom Mounting Brackets Key No. 2

Turn the Franklin over on its top. Attach 5 Brackets to 5 protruding $\frac{1}{4}$ -20 bolts extending through the bottom, (position as shown on page 3), and secure with $\frac{1}{4}$ -20 nuts.

3. The Inner Bottom Shield Key No. 3

Slide Inner Shield over 3 front mounting Brackets and attach back of shield to 2 rear Brackets with 2 metal screws.

4. The Bottom Shield Key No. 4

Attach Bottom Shield to Inner Shield with 6 metal Screws.

5. The Back Shield Key No. 5

Attach Back Shield to Bottom Shield with 4 metal screws, (Back Shield overlaps Bottom Shield.)

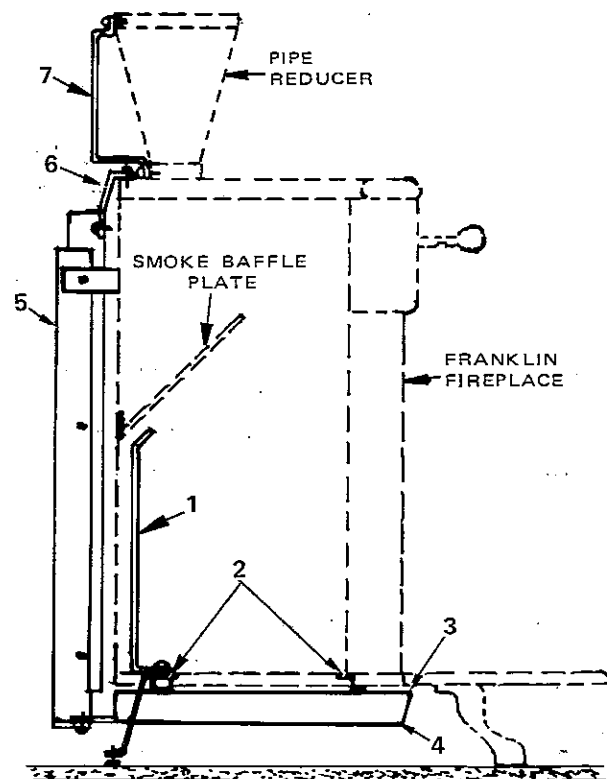
6. The Back Shield Mounting Bracket Key No. 6

Turn the Franklin upright. Loosen existing bolts at top rear of the Franklin. Attach Mounting Bracket to Back Shield with 2 metal screws and fit the slots into position over existing bolts on top of the Franklin. Tighten existing bolts securing the Back Shield.

7. The Pipe Reducer Shield Key No. 7

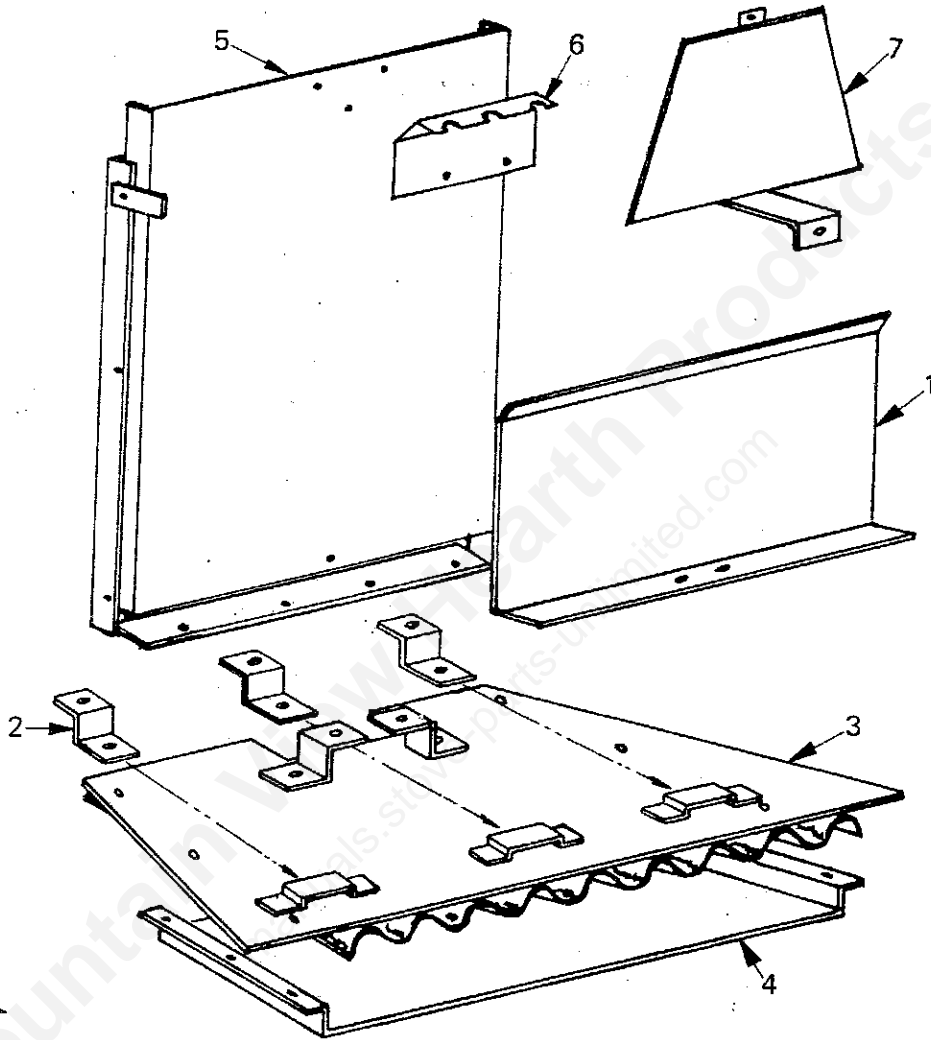
Move Franklin into position. See Fig. 1 for minimum clearances. Place pipe reducer on Franklin top oval flanged outlet. Attach shield, Key No. 7, to back of reducer with bolts in holes at top and bottom flange. These bolts are normally used to secure boot to Franklin flange and pipe to top of reducer. First section of standard 8" stovepipe must be attached to top of reducer so the top bolt will align with the holes.

FIG. 2 HEAT SHIELD INSTALLATION



repair parts

REFER TO THE MODEL NUMBER OF YOUR FRANKLIN FIREPLACE WHEN ORDERING REPAIR PARTS FOR YOUR HEAT SHIELD KIT.



KEY NO.	QTY.	PART NUMBERS FOR KIT NUMBERS		DESCRIPTION
		HS-26A	HS-30A	
1	1	9.75 21558	7.83 21579	32 Inner Rear Liner 12.25
2	5	1.00 18760	59 18760	59 Mounting Bracket - Bottom 1.00
3	1	17.50 67505	14.32 67506	60 Inner Bottom Shield Asm. 19.60
4	1	12.00 19590	9.25 19450	74 Bottom Shield 12.00
5	1	23.00 67499	19.90 67501	35 Rear Heat Shield Asm. 26.00
6	1	3.00 21590	1.58 21590	58 Mounting Bracket - Back Shield 3.00
7	1	6.00 19550	3.74 19550	74 Reducer Shield 6.00
*	14	.25 83165	.03 83165	03 Metal Screw - No. 10 x 1/2 Slotted Hex Head .25
*	5	.25 83001	.02 83001	02 Nut - 1/4 - 20 .25
*	1	1.00 85226	32 85226	32 Owners Manual 1.00

* Not Illustrated 3.00 21605 1.96 21605 1.96 Heat Shield Handle 3.00
 8.00 86212 5.84 86213 7.48 Corrugated Liner 10.50

owners manual

HOW TO ORDER REPAIR PARTS

THIS MANUAL WILL HELP YOU TO OBTAIN EFFICIENT, DEPENDABLE SERVICE FROM THE HEATER, AND ENABLE YOU TO ORDER REPAIR PARTS CORRECTLY.

KEEP IN A SAFE PLACE FOR FUTURE REFERENCE.

WHEN WRITING, ALWAYS GIVE THE FULL MODEL NUMBER WHICH IS ON THE NAMEPLATE ATTACHED TO THE HEATER.

WHEN ORDERING REPAIR PARTS, ALWAYS GIVE THE FOLLOWING INFORMATION AS SHOWN IN THIS LIST:

1. The PART NUMBER
2. The PART DESCRIPTION
3. The MODEL NUMBER
4. The NAME of ITEM

Lawson Division

UNITED STATES STOVE COMPANY • SOUTH PITTSBURG, TENNESSEE