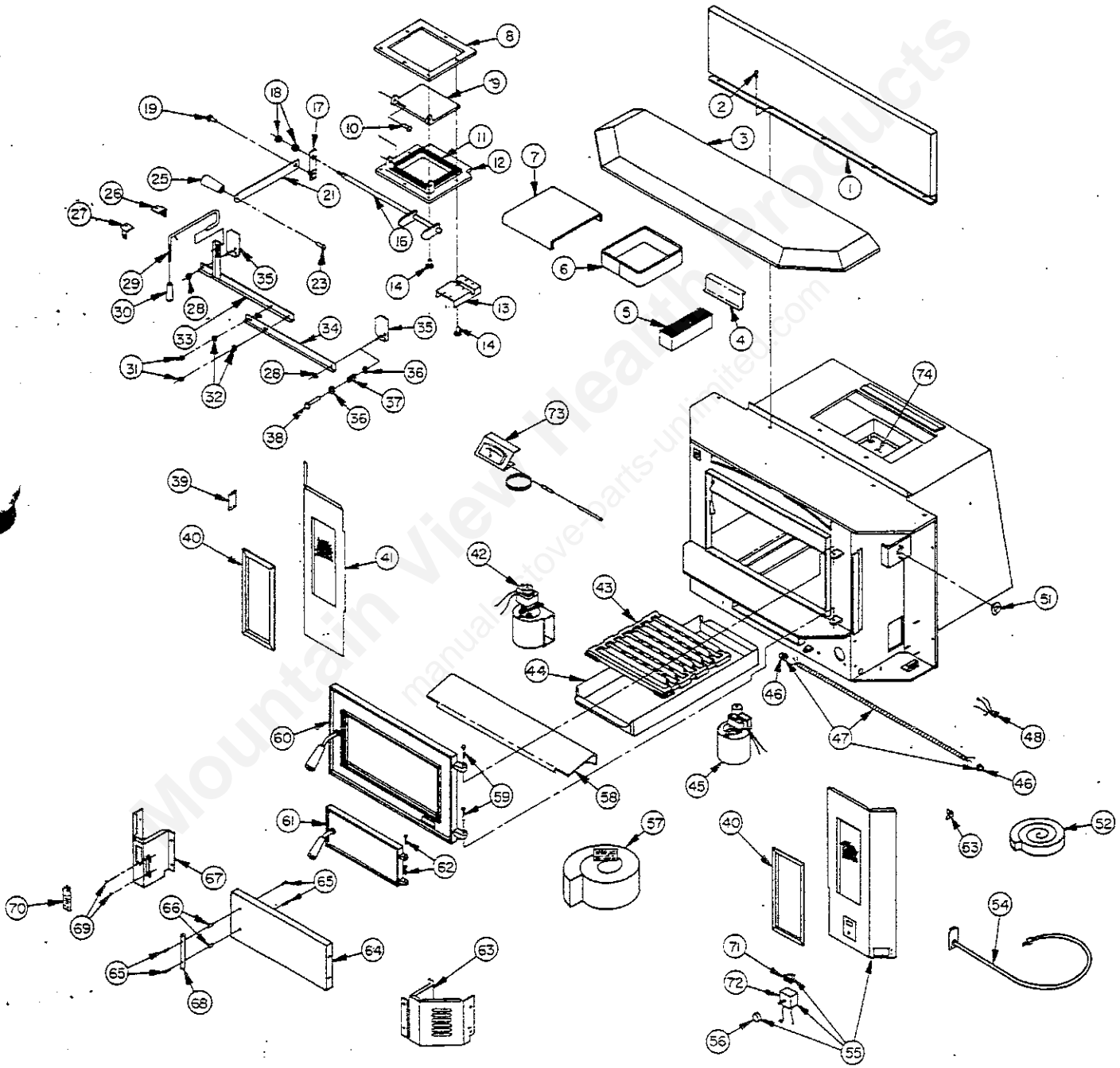


MCF2B

FIGURE 13 - FIREPLACE INSERT REPAIR PARTS. SEE LEDGER ON NEXT PAGE FOR PART NAMES AND PART NUMBERS

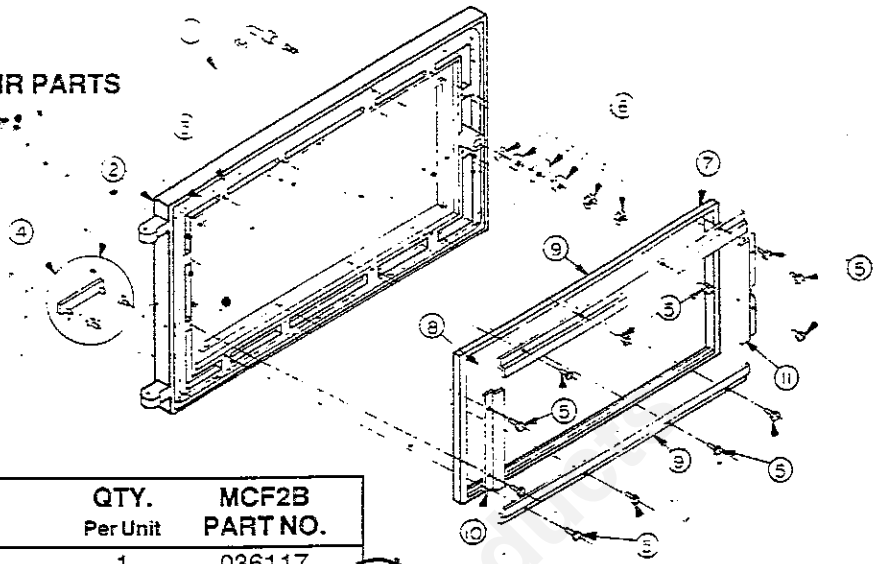


LEDGER FOR FIGURE 13, SEE FIGURE 13 FOR ILLUSTRATION OF PARTS.

KEY NO.	PART NAME	QTY. Per Unit	MCF2B PART NO.	KEY NO.	PART NAME	QTY. Per Unit	MCF2B PART NO.
1	Top Surround Assy.	1	029433	40	Frame Glass	2	025640
2	Screw 1/4 - 20 x 1/2 Mach.	15	*	41	Panel Left Side Assy.	1	051978
3	Hood Surround Assy.	1	037619	42	Blower Left Assy.	1	036377
4	Support Catalyst	2	045971	43	Grate	2	009133
5	Combustor Catalytic	3	035199	44	Pan Ash Assy.	1	011777
6	Wrap Combustor	1	046479	45	Blower Right Assy.	1	036961
7	Cover Catalyst	1	040140	46	Connector Conduit	2	008611
8	Gasket Bypass Damper	2	040079	47	Harness Assy.	1	030709
9	Damper Bypass Drilled	2	046627	48	Power Source Wiring Assy.	2	028107
10	Screw 10-24 x 3/4 Pan Mach.	4	*	51	Control Fan Thermostat	1	027124
11	Rope Fiberglass Kit	2	046846	52	Insulation 1-1/2 x 2 x 72	1	027588
12	Frame Bypass & Rope Assy.	2	046626	53	Fasteners Side Panel Kit	1	029236
13	Support Bypass Damper.Rod	1	047142	54	Cordset Cover Plate Assy	1	027828
14	Screw 5/16-18 x 3/4 Hex	10	*	55	Panel Right Side Assy.	1	046655
16	Rod Bypass Damper Assy.	1	052035	56	Knob	1	011656
17	Arm Bypass Damper Assy.	1	046433	57	Insulation Bagged Assy.	1	034690
18	Nut 3/8-16 NC Hex Jam	2	*	58	Retainer Ash Ptd.	1	046695
19	Screw 1/4 - 20 x 1/2 Mach Hex	1	*	59	Pin Hinge (Brass Plated)	2	026345
21	Lever Bypass Damper	1	052034	60	Door (Feed) & Handle Assy. (See Fig. 14 - For Components)	1	046699
23	Screw 1/4-20 x 1 Pan HD BRS.	1	*	61	Door (Ash) & Handle Assy. (See Fig. 15 - For Components)	1	037762
25	Handle	1	046533	62	Pin Hinge	2	027830
26	Support Lever Rear	1	046572	63	Corner Right Shroud Ptd.	1	046600
27	Support Lever Front	1	046426	64	Door Shroud Ptd.	1	037573
28	Nut 1/4 - 20 Locking Hex	2	*	65	Screw #8-32 x 3/8 PH Black	4	*
29	Lever & Key Assy. Ptd.	1	046693	66	Standoff Handle	2	TG10857
30	Handle	1	046535	67	Corner Left Shroud Ptd.	1	046599
31	Nut 1/4 - 20 Hex	4	*	68	Handle Door	1	TG10718
32	Washer 1/4 Star	4	032137	69	Bumper Plug	2	P6108
33	Tiebar Left Assy.	1	046425	70	Plate Inlet Air Info.	1	046590
34	Tiebar Right	1	040160	71	Switch Rocker	1	015426
35	Plate Inlet Air Assy. Ptd.	2	046694	72	Speed Control Assy.	1	030417
36	Cup Washer (.261 ID)	4	015964	73	Temp-Meter (Optional)	1	045403
37	Spring	2	P5262	74	Shield Flame	1	040163
38	Screw 1/4 - 20 x 1-1/2 Hex HD	2	*				
39	Cover Plate Ptd.	1	027625				

\*Purchase Locally

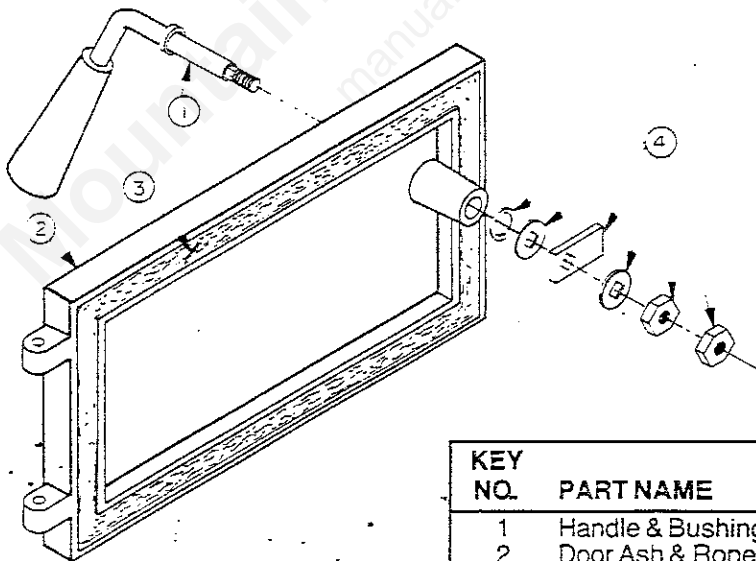
**FIGURE 14 - FUEL FEED DOOR REPAIR PARTS**



KEY NO.	PART NAME	QTY. Per Unit	MCF2B PART NO.
1	Handle & Bushing Assy.	1	036117
2	Door Feed Brs. w/Rope Ptd.	1	046697
3	Gasket 1/2 Dia. Fbrgl Rope	1	022433
4	King Logo & Fasteners	1	037815
5	Screw 1/4 x 1/2 Long Mach	12	"
6	Latch & Latch Fasteners	1	026029
7	Gasket Glass	1	037801
8	Glass Ceramic	1	024320
9	Retainer Glass (Top & Btm)	2	018175
10	Retainer Glass (Right)	1	018177
11	Retainer Glass (Left)	1	018176
* Purchase Locally			

NOTE: The Complete MCF2B Feed Door Assembly May Be Ordered By Using Part Number 046699 Or Individual Components May Be Ordered As Described Above.

**FIGURE 15 - ASH DOOR REPAIR PARTS**



KEY NO.	PART NAME	QTY. Per Unit	MCF2B PART NO.
1	Handle & Bushing Assy.	1	036950
2	Door Ash & Rope Assy.	1	028404
3	Gasket 1/2 Dia. Fbrgl. Rope	1	009535-04
4	Latch & Latch Fasteners	1	026029

NOTE: The Complete MCF2B Ash Door Assembly May Be Ordered By Using Part Number 037752 Or Individual Components May Be Ordered As Described Above.