

# #1560 Warming Shelf - Installation Instructions

for the Vigilant, Resolute, Radiance, Encore and Model 1910  
Defiant Stoves - #1690 Warming Shelf for the Madison



## Contents:

- (1) Warming shelf
- (1) Dragon bracket
- (1) Left bracket
- (1) Right bracket
- (2) Mitten racks
- (3) Washers
- (2) 1/4-20 x 1/2" hex-head cap screws
- (3) 1/4-20 x 5/8" hex-head cap screws

## Tool Required:

7/16" open-end wrench

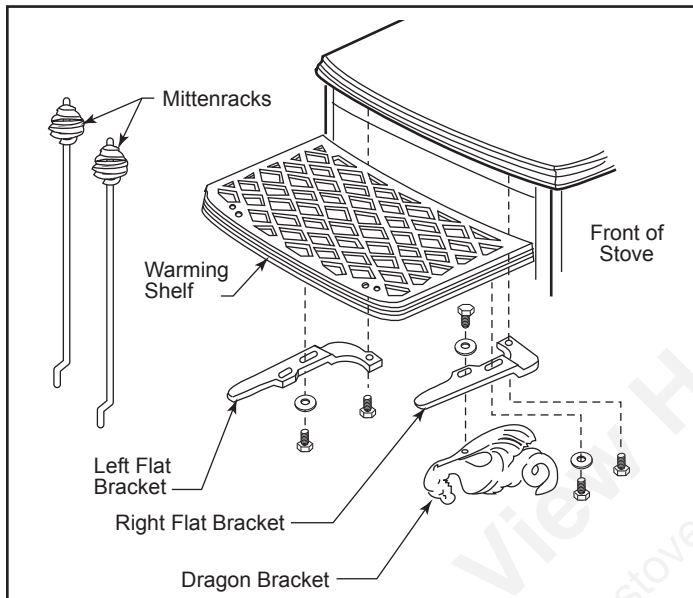


Figure 1 - Warming shelf parts.

Warming Shelves add versatility to your stove; they keep foods warm at mealtime, and provide a convenient spot to store a kettle or pan when you top-load your stove.

The Warming Shelf is designed to hold up to 30 pounds. However, always place objects on a shelf carefully to avoid sudden impact. Containers left on the shelves or on the stove for long periods of time should have water in them to prevent damage from overheating.

Take special care with stoves and shelves that are enameled, to avoid chipping the finish.

Each Shelf includes a pair of nickel-plated mittenracks that are ideal for drying damp mittens, socks, dish towels, etc. Do not leave combustible items unattended on the shelves or mittenracks for extended periods of time, however, as they may overheat.

The Shelf installation is done in three stages. The procedure is the same in all cases; first you attach the shelf loosely to the stove, leaving the screws loose enough to allow final adjustments. Then, you position the shelf and adjust the brackets so the shelf fits correctly. Finally, you tighten the screws.

These shelves cannot be installed on older model stoves that do not have drilled and tapped holes on the undersides of the top plate.

## Part 1. Attach the Brackets and the Shelf

1. Screw the flat brackets to the stove. Pass a 1/4"-20 x 1/2" hex-head cap screw up through each bracket and into the threaded hole in the stove's top plate. (Figure 2) Tighten the screws enough to secure the brackets, but keep them loose enough for the brackets to move slightly.

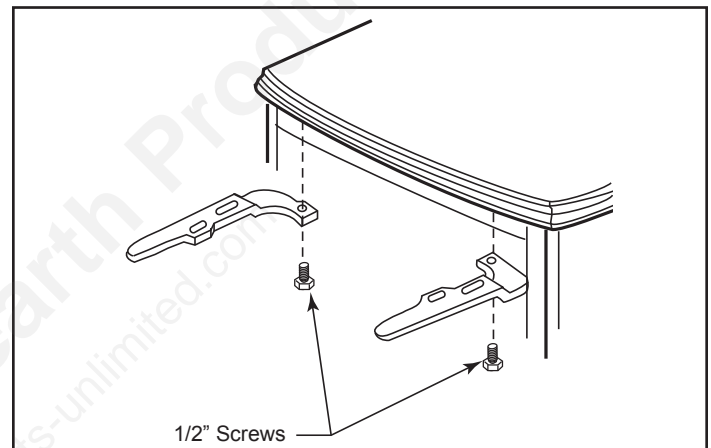


Figure 2 - Attach brackets to threaded holes in top plate.

2. Attach the dragon bracket to the flat bracket at the front of the stove using a flat washer under the head of a 1/4-20 x 5/8" screw. Tighten the screw only finger tight.. (Figure 3)

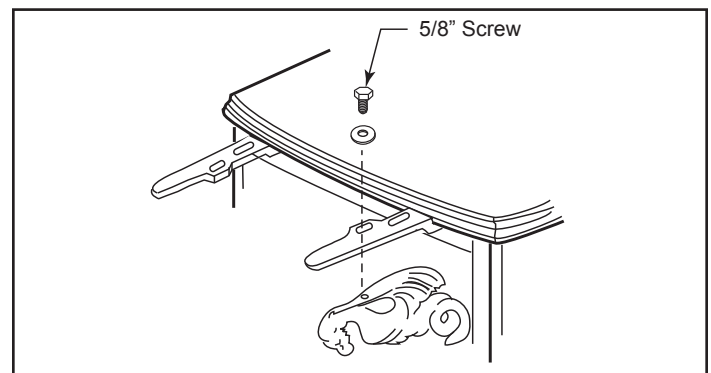
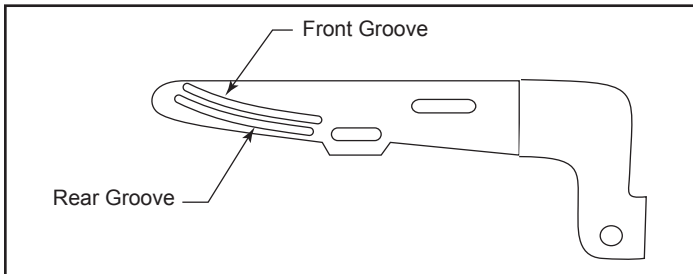


Figure 3 - Attach dragon bracket to front flat bracket.

There are two grooves on the underside of the flat bracket. (Figure 4) For the Encore, Vigilant and Defiant stoves, position the bracket so the top of the dragon bracket will fit in the front groove. For the Resolute and Madison, position the bracket so the top of the dragon bracket will fit in the rear groove.



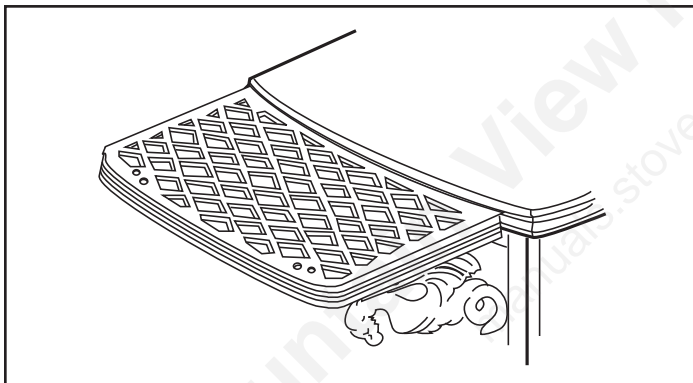
**Figure 4** - Grooves on underside of flat bracket.

3. Secure the shelf to the flat brackets with 1/4-20 x 5/8" screws, with a flat washer under the head of each screw. Finger tight is tight enough.

### Part 2. Position the Shelf and Tighten the Screws

1. Adjust the shelf so there is a small, even gap between the edge of the stove top and the shelf. Especially with enameled stoves, leave a gap to avoid chipping the finish. Tighten the screws holding the shelf to the flat brackets.

Use a flat washer under the head of the 1/4"-20 x 5/8" screw. Tighten the screw only finger-tight.



**Figure 5** - Warming shelf in place.

2. Level the shelf by raising or lowering the outside edge gently. Move the dragon bracket toward the stove until it just touches it. The dragon bracket will hold the shelf level.

Be sure the top of the dragon bracket is in the correct groove on the underside of the flat bracket. The dragon's tail should be to the rear of the raised molding on the side plate of the stove. Tighten the screw while holding the shelf level.

3. Position the shelf so the indentation on its bottom fits on the raised bead on the top of the flat bracket. Tighten the screws holding the flat brackets to the stove with a 7/16" wrench. If the shelf does not stay in position while you tighten the screws, remove it from the stove and start over.

Insert the mitten racks by passing their crooked ends downward through the holes in the outside edge of the shelf. The mitten racks will hang vertically until you are ready to use them. For use, slide them upward until their crooked ends meet the underside of the shelf, then position the racks horizontally.

**NOTE: Check the installation occasionally by gently striking the outside edge of the shelf with the heel of your hand. If the shelf is loose, tighten the screws a little. Check all screws for tightness every six months or any time the shelf feels loose.**