

CE Kit and Label

Installation Instructions

for use with CE Listed European Stove Models

This kit contains items unique to CE listed stove models for sale in Europe. References to US or Canadian codes and standards typically do not apply in Europe. It is very important to refer only to the European installation instructions and information on the CE rating label when installing this stove. The enclosed rating label should be permanently attached to the stove by the stove installer and be accessible after installation.

This solid fuel stove becomes very hot during operation. A glove is provided in this kit for use when touching handles or other iron components while operating your stove. We recommend this glove be used when refueling or making adjustments to the stove as outlined in the European operating instructions.

Contents of this Kit:

- European Installation Instructions
- CE Rating label
- Attachment wire and wire clamps
- A stove glove

Installation of the Permanent CE Rating Label:

The rating label must be attached in a location allowing access to read the label after the stove is installed. A length of wire is provided to allow flexibility in attachment location as necessary. However, we recommend the tether be secured to the current label on the stove; this will be either a US rating label or another permanent label riveted to the back of the stove.

As shown in Figure 1, loop the loose end of the tether wire under the existing label riveted to the back of the stove. Make the loop as tight as possible and using pliers, pinch the wire clamp to permanently secure the wire.

The tether may be coiled and the CE rating label stowed by slipping it behind the existing label.

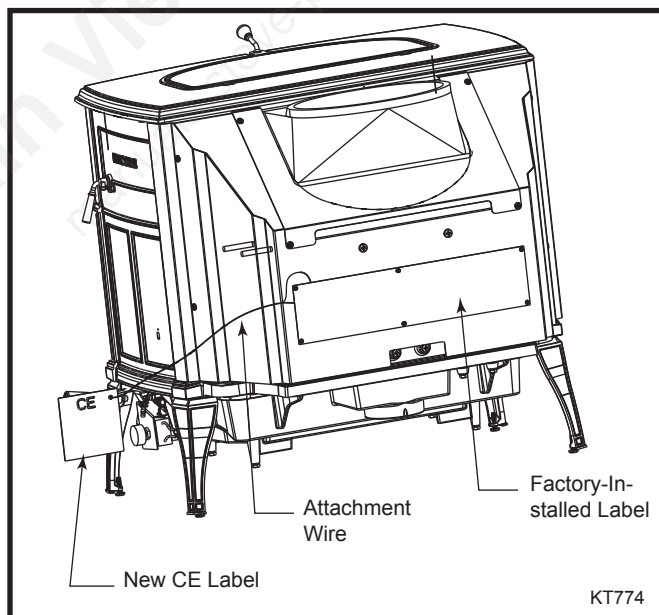


Fig. 1 Secure tether wire under existing label on back of stove.

Vermont Castings Group

149 Cleveland Drive • Paris, Kentucky 40361
www.vermontcastingsgroup.com