



## Update Defiant: "From Top to Bottom and Back Again"

**IMPORTANT:** This update should be used when rebuilding the Defiant I or Defiant IAI. These stoves were built before July of 1980. The Defiant I and IAI have nickel-plated thermostat covers. Later models have cast iron covers. On the I and IAI, the edges of the front plate fit in channels in the side plates. On later models the front plate wraps around the side plate, so the edges of the side plates fit in channels on the front plate. The Upper Fireback on the I and IAI is flat. On later models it is curved.

Changes in the design of some of the replacement interior castings modify your Defiant so that after the rebuild procedure has been completed, you will be able to remove all interior parts without taking the outside of the stove apart. This will make cleaning the baffle system behind the fireback, and replacing interior wear parts much more convenient.

Much of the information in the manuals, "Defiant: From Top to Bottom and Back Again", may still be used. This update will inform you of changes in parts and procedures.

Become familiar with all the parts of your stove by examining the exploded view on Pages 2 and 3 of the manual. Part #9 (Baffle) and Part #21 (Secondary Air Tube Extension) have been changed for the replacement kit, and a new piece, Support Leg, has been added. Figure 1 shows the new parts you will install.

Page 4 of the manual contains important general information and safety notes (Wear a particle mask and protective eyewear). Please read this information carefully.

### Defiant Disassembly

Follow the directions on Pages 5 and 6 of the manual to take your Defiant apart. Disregard the NOTE at the bottom of Page 5 and the Note in the middle of Page 6.

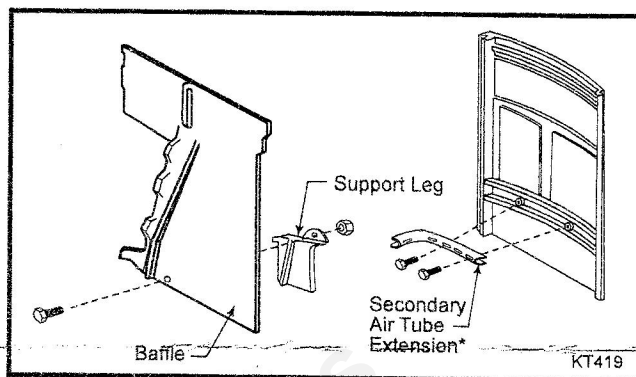


Fig. 1 New parts for Defiant Update.

### Defiant Assembly

Follow the directions starting on Page 7 of your manual to rebuild your Defiant.

In Step 4 on Page 7, screw the new Support Leg to the bottom of the redesigned Baffle before sliding the baffle into place.

### Defiant Exterior Assembly

The order for assembling the modified replacement parts is different from what is shown in the manual. Please follow these instructions for DEFIAANT ASSEMBLY procedures. Thorough cleaning of previously used parts is a requirement. A dry assembly (without using cement) is highly recommended. It may be necessary to reclean old parts or grind new parts to insure that all parts fit together correctly. Parts covered with wet furnace cement are hard to work with. When it is time for permanent assembly, follow the cementing instructions as shown on Pages 4, 6, 14 and 16 of the manual.

The exterior castings of the stove will be completely assembled before any interior parts are installed.

1. Remove the Secondary Air Tube Extension from the right end and either discard it or save it as a replacement of the Primary Air Tube if it should be necessary.
2. Follow the instructions on Page 7 of the manual for assembling the exterior castings, but DO NOT put the Baffle in place. The new Secondary Air Tube Extension will be installed on the right end later in the procedure.
3. Install the left end as illustrated in Figures 14 and 15 on Page 9 of the manual. Install only the left end at this time. Interior parts will be installed later in the procedure.
4. Install the top plate and tie rods as shown in Steps 7 and 8 on Page 10 of the manual.

## Defiant Interior Assembly

Install the interior parts of your Defiant in the following order:

1. Refer to Step 5 on Pages 8 and 9 of the manual for instructions on installing the upper and lower fireback. You will notice differences from the illustrations.

- The left end is in place, and the baffle is not.
- The upper and lower firebacks will be seated by tapping them to the left (to seat them against the left end) rather than to the right (to seat them against the baffle).
- A tie rod instead of a 1/2" x 1" board will be used to smooth the cement on the inside of the secondary air tube.
- The smokesheff must be installed as you move the upper fireback into position. See Figure 13 on Page 9 of the manual for the correct placement of the smokesheff.

2. Place the damper in position resting on the smokesheff with the damper pin on the left end of the damper passing through the left end of the Defiant.

3. Position the baffle in the stove with the front edge seated in the vertical groove (formed by a ridge and three tabs) just to the right of the door opening, and the rear edge against the side of the stove (Fig. 2)

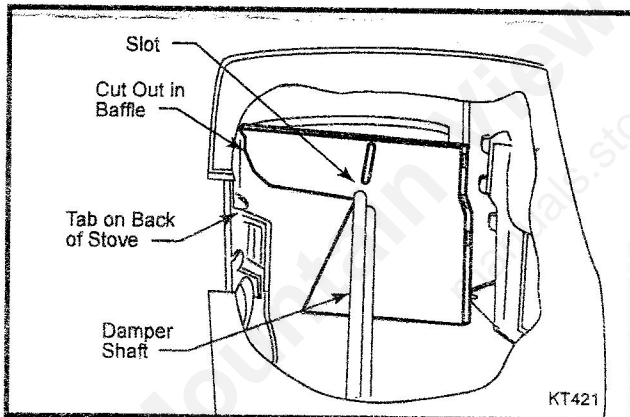


Fig. 2 Position baffle in stove.

4. As you swing the rear edge of the baffle toward the center of the stove:

- Position the damper so the shaft on the right end of the damper passes through the slot at the top of the baffle.
- The tab to the rear of the baffle slides along the secondary air passage on the back of the stove.
- The cut out at the rear of the top of the baffle clears the tab on the back of the stove. The cut may have to be slightly enlarged to clear the tab.

- It may be necessary to pull the top right hand end of the upper fireback forward so it will seat properly against the baffle.

5. Lift the baffle straight up about 1". The top rear corner of the baffle will slide into a groove on the back of the stove. If you have trouble lifting the baffle up, check to be sure the slot in the back of the stove is clear of any soot or creosote, and make sure the top of the baffle lines up with the slot. (Fig. 3)

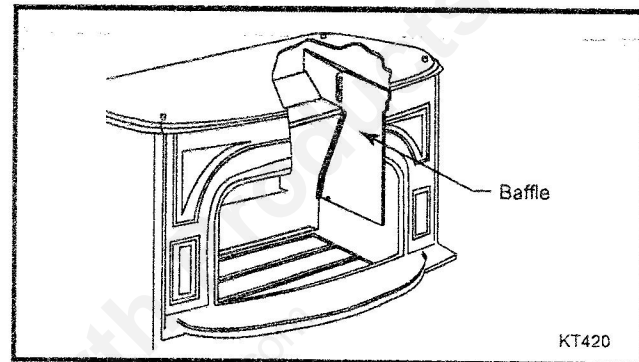


Fig. 3 Lift baffle straight up about 1". Top rear corner of the baffle will slide into a groove on the back of the stove.

6. Position the support leg under the rear of the baffle, against the lower fireback. Secure it to the baffle with a 1/4 x 20 hex head screw and hex nut. (Fig. 4)

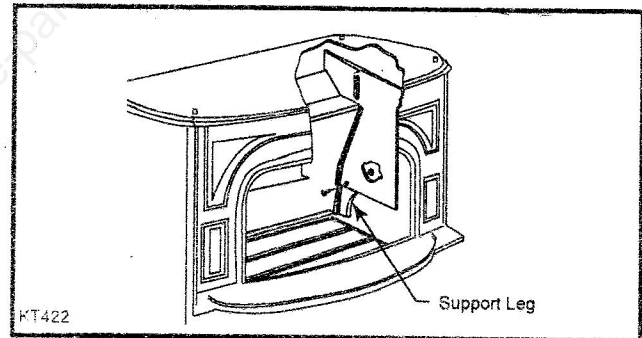


Fig. 4 Position support leg under rear of baffle.

7. To install the new secondary air tube extension, place the back end of the tube in position in the secondary combustion chamber against the support leg and baffle, and then swing the front of the tube against the side of the stove. Screw the secondary air tube extension to the right end with two 1/4 x 20 x 1 1/2" flathead screws.

8. Refer to Step 9 on Page 11 of the manual for instructions on finishing the rebuild procedure.

Pay attention to the note on Page 11, entitled "REMEMBER".

## Vermont Castings Group

149 Cleveland Drive • Paris, Kentucky 40361  
www.vermontcastingsgroup.com