



Defiant 1945/1910 Catalytic Service Procedure

REPLACING THE REFRACTORY PACKAGE

Wear gloves, a dust mask and protective eyewear when servicing a stove.

1. Open the damper and remove the handle stub (“faucet”).
2. Remove the slotted andirons and andiron shelf. Remove the two 7/16” hex head bolts. Lift out the andirons and the shelf.
3. Remove the throat baffle by lifting straight up and disengaging the support brackets on the lower fireback. Take it out of the stove. See Fig. 1

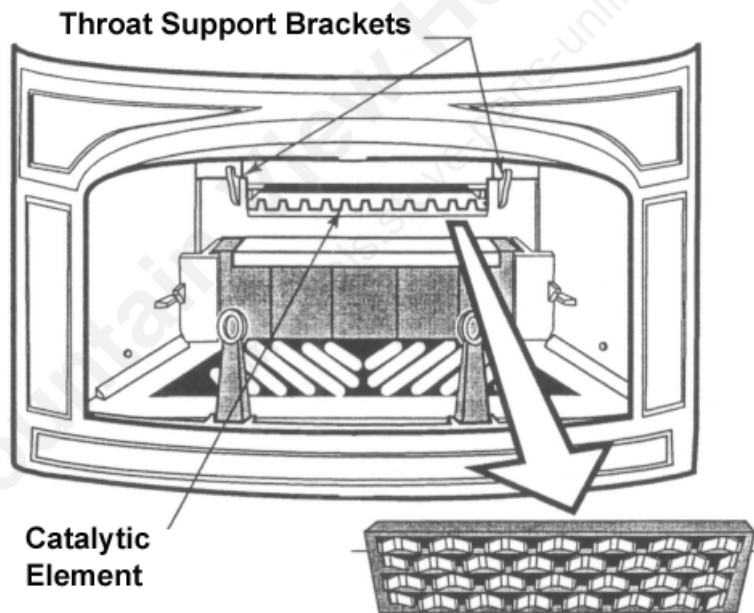


Fig. 1 Remove Throat Baffle

4. Pry the firebrick retainer clip off the firebricks. Remove the bricks and the clip (Fig. 2).
5. Pry up and remove the left and right wedges. Pull the lower fireback forward and remove it from the firebox. You may need to lift it slightly to remove it. Slide the top of the lower fireback forward and simply lift it out of the firebox (Fig. 3).

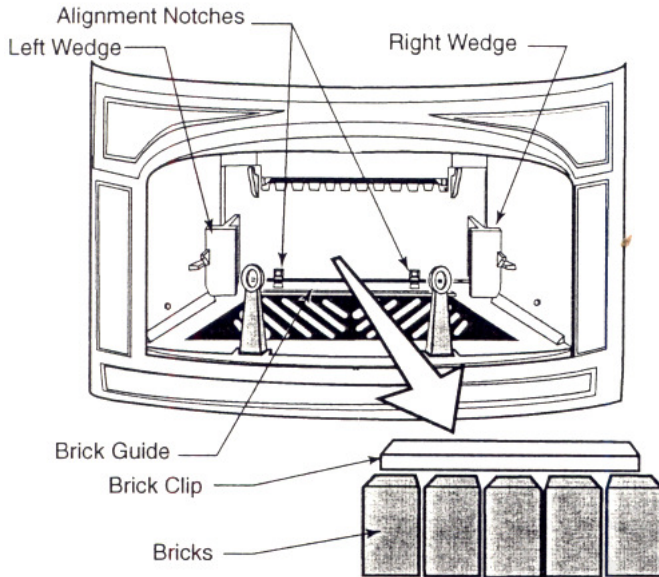


Fig. 2 Remove Bricks

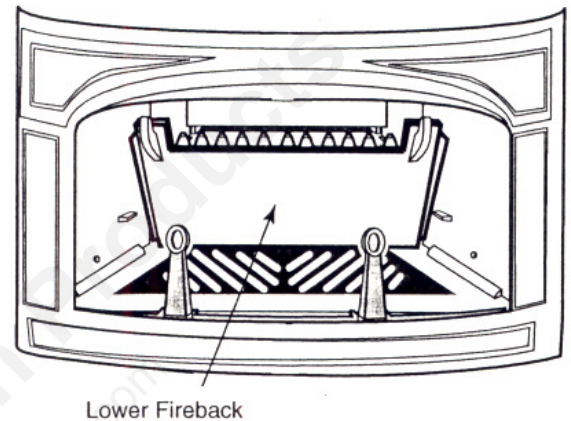


Fig. 3 Remove Lower Fireback

6. If the damper is closed, open it. Use an Allen key wrench to remove the damper handle stub from the left end of the damper rod.
7. If in place, remove the rear heat shield. Use a 7/16" ratchet socket to remove the four bolts at the top/back of the stove holding the upper fireback assembly in place (Fig. 4).



**Fig. 4 Remove 4 Upper Fireback Bolts
(Rear of 1945 Model)**

8. Remove the upper fireback assembly by swinging its right end forward. Watch the left end to be sure it clears its hole in the left side of the stove. Capture the damper rod spacer in the left side of the stove and make sure the small washer stays on or with the damper rod. Removing the right air plate (2 - 7/16 hex head cap screws) may make the removal of the upper fireback easier.
9. Remove the left and right stainless steel deflectors.
10. Gently slide the entire refractory package straight forward and remove it. Do not lift the chamber until it has cleared the secondary air probe stick through the back of the assembly or remove the probe on the back of the stove before sliding the package out. The chamber is very fragile and must be handled with care.
11. Remove the secondary air cover (two Phillips Pane Head Bolts) and the secondary temperature probe (one Phillips 10-24 bolt) from the rear of the stove (Fig 5). Unhook the probe from the door linkage.



Fig. 5 Remove Secondary Air Probe

12. Remove the access panel and the catalytic element from the old refractory package. Install the catalytic element in the new refractory package and insert new access panel.
13. Reverse the above procedure to complete the installation. Pilot a small hole in the refractory assembly rear for the secondary temperature probe by installing the probe and sliding the new refractory gently in place to mark where the hole should be drilled.