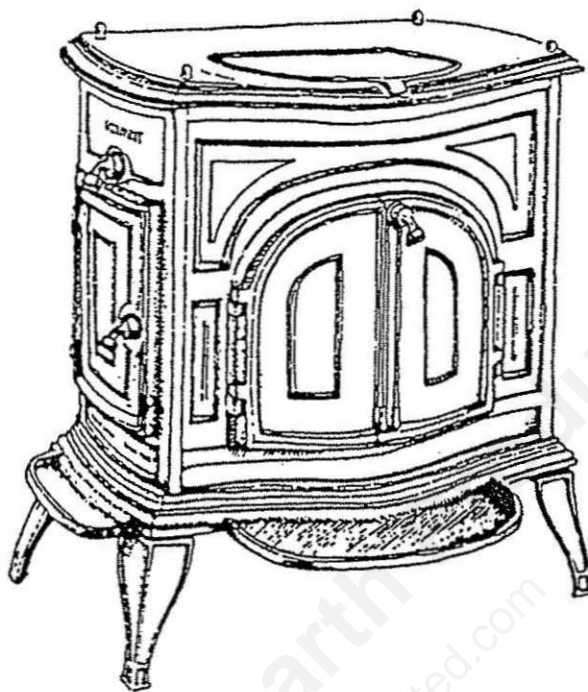


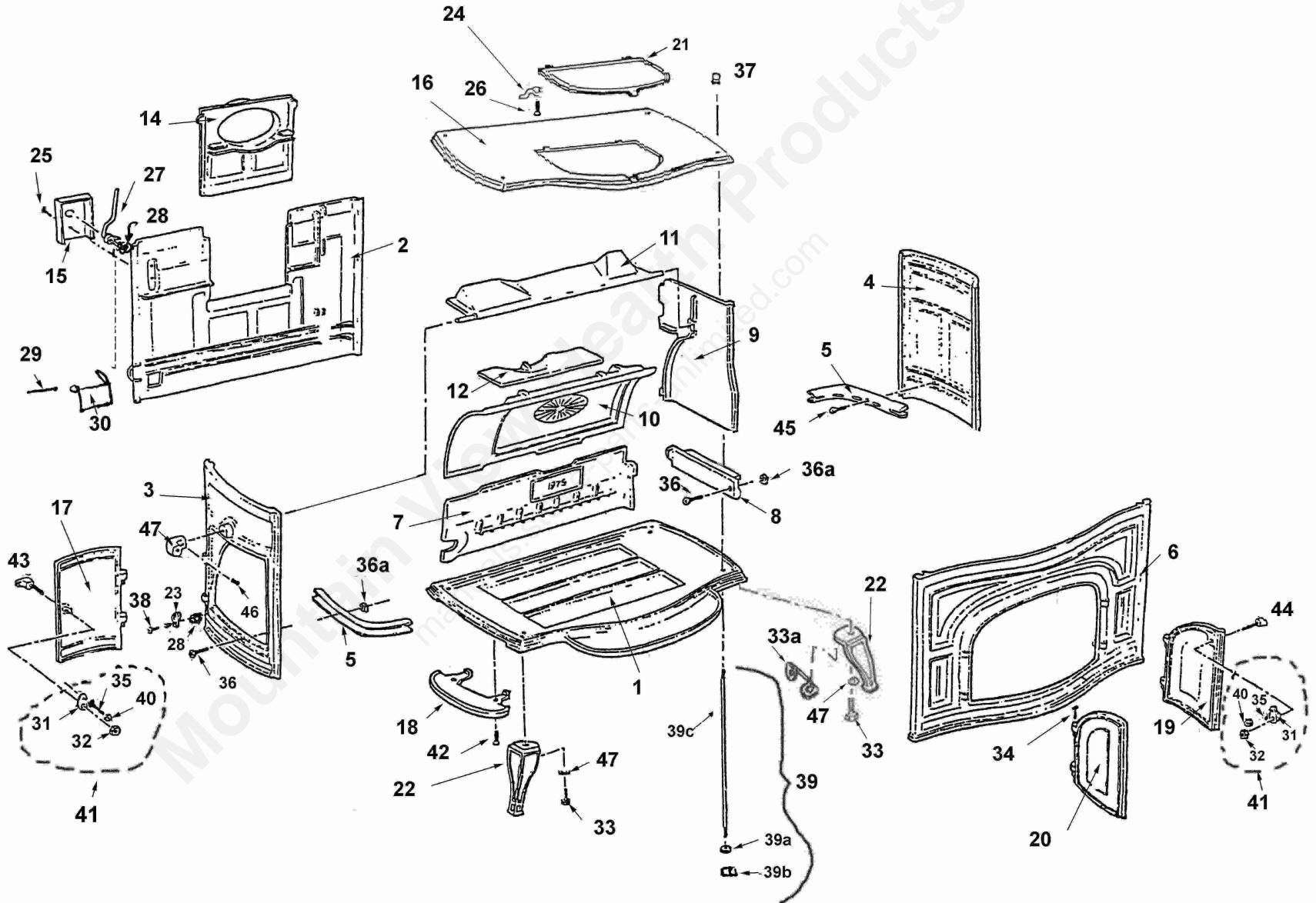
DEFIANT III WOODSTOVE



This section deals with Defiants manufactured after January, 1985. Defiants manufactured before this time are discussed in the Defiant II and Defiant I sections of this manual.

1. Exploded view stove part diagram and tap guide.
2. Exploded view stove key.
3. Directions for entire interior plate disassembly and assembly.
4. Directions for complete refurbishment.
5. Individual part replacement instructions:
 - A. Top plate
 - B. Bottom plate

DEFIANT III



DEFIANT III

MODEL #: 0019 & 0028 DEFAINT III

FEATURES: Manufactured 1/30/85 through 4/8/88. Has top loading griddle, wrap around front & two piece, concave shaped fireback.

* denotes dead product - no substitute

ITEM #	PART #	DESCRIPTION	ITEM #	PART #	DESCRIPTION
1	130-3148	Bottom	26	120-1338	1/4-20 x 1/2" Quad Hex Head
2	130-3070	Back	27	500-5467	Thermostat Assembly
3	5000202*	Left End with Door	28	120-1846	Tension Spring for Thermostat
4	130-3116*	Right End	29	160-1555	Thermostat Flap Pin Only
5	130-3162	AirTube	30	000-5800	Thermostat Flap w/ Eyelet
6	500-0285*	Front with Doors	31	120-0417	1/4-20 x 1/4" Socket Set Screw
7	130-3092	Lower Fireback	32	120-3290	3/8-16 Large Pawl Jam Nut
8	130-3100	Lower Baffle	33	120-1432	3/8-16 x 1" Hex Head Cap Screw
9	130-3108	Upper Baffle		000-5807	Leg Bolt Set w/ Washers & Hdle Holder
10	130-3078	Upper Fireback	33a	160-0600	Handle Holder
11	500-0323	Damper With Welded Pin	34	160-0546	Door Pin
12	130-3184	Smoke Shelf	35	120-0436	Striker Bolt Only
14	130-3192*	Rear Exit Insert	36	120-0830	1/4-20 x 1 3/4" Phillips Flat Head
	130-3203*	Top Exit Insert	36a	120-3329	1/4-20 Plain Nut
15	130-3084*	Thermostat Cover	37	160-0575	Finial Nut
16	130-3144	Rear Exit Top	38	120-1007	10-24 x 3/4" Phillips Trs Head
	130-3135	Top Exit Top	39	500-7497	Set of 4 Tie Rods, Washers & Bolts
17	130-3000	Side Load Door	39a	120-2461	Star Washer (included in 500-7497)
18	130-3170	Side Ash Lip	39b	120-3226	1/4-20 Hex Head Nut (included in 500-7497)
19	130-3008	Right Door	39c	160-1617	Tie Rod Only (included in 500-7497)
20	130-3016	Left Door	40	120-0436	Striker Bolt Only
21	130-0797	Griddle	41	500-4024	Pawl Assembly (no jam nut)
22	130-3225	Leg (one only)	42	120-0865	1/4-20 x 5/8" Phillips Flat Head
	500-0360	Legs (set of 4)	43	500-4244	Side Door Handle Stub w/ Shaft
23	130-0671	Secondary Air Control Cover	44	500-4237	Front Door Handle Stub w/ Shaft
24	130-0809	Griddle Quad Straight	45	120-0889	1/4-20 x 1 1/2" Phillips Flat Head
	000-4444	Griddle Quad (130-0809) w/ Bolt	46	120-0563	5/16-18 x 5/16 Socket Set Screw
25	120-1010	10-24 x 1 1/2" Truss Head Phillips	47	500-4265	Damper Handle Stub w/ Set Screw

ITEMS NOT SHOWN

000-4342 Fallaway Handle Complete
160-0620 Ceramic Handle Only
120-1294 Handle Screw
160-0650 Handle Stub
120-1832 Handle Stub Roll Pin

ACCESSORIES

000-0124 Defaint Screen
000-0868 Set of 4 Short (3") Legs

REPAIR KITS

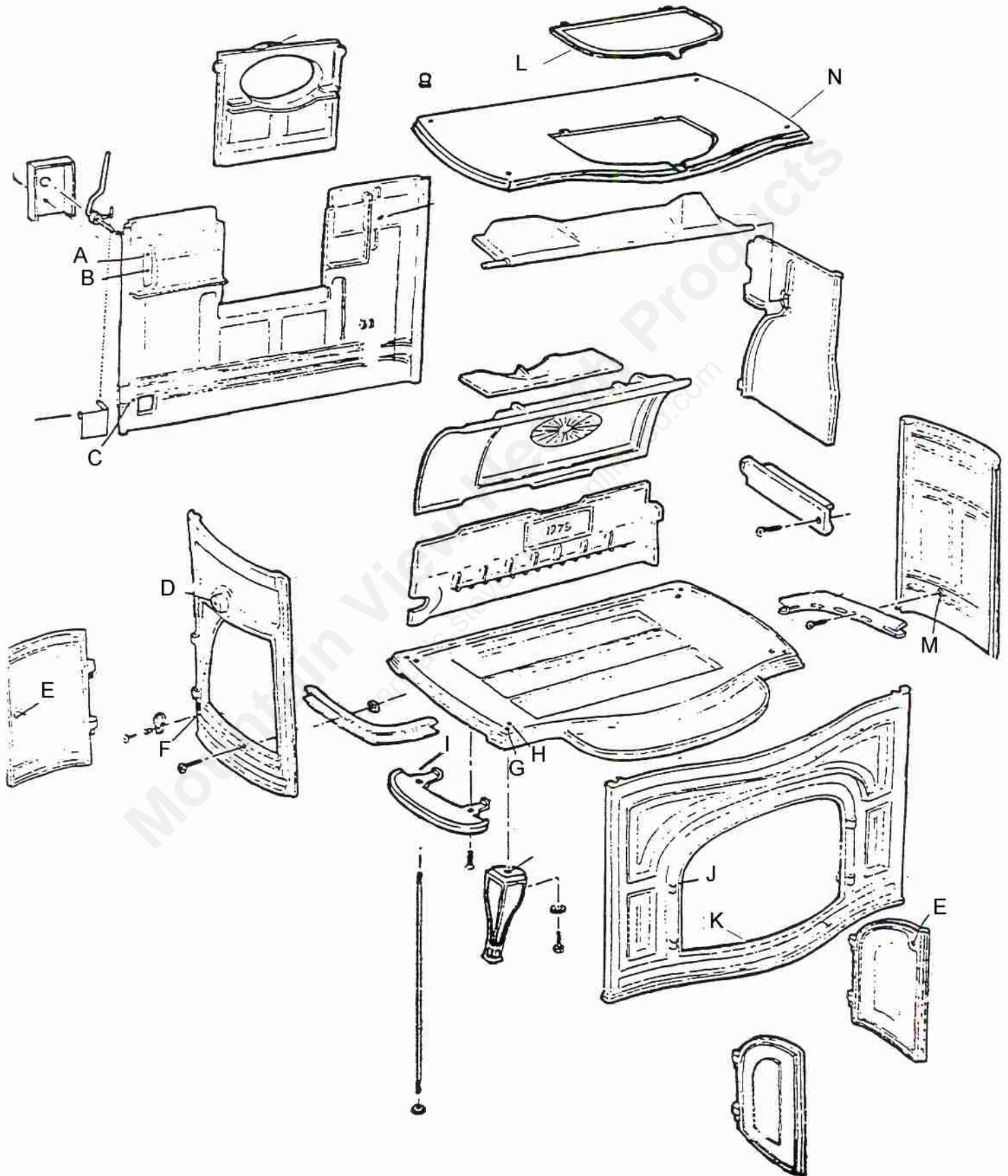
000-5837 DEFIANT II & III FIREBACK AND BAFFLE KIT

000-5833 Box 1 - includes: upper fireback and lower fireback
000-5836 Box 2 - includes: upper baffle, lower baffle, lower baffle nut & bolt, instructions.

GASKETS

120-3588	5/16" Medium Density 6ND Gasket	4.5'	Upper Fireback
		7'	Front Doors
		4'	Side Doors
120-3668	5/16" Gasket Wire Fiberglass with Core	4'	Top for Griddle

DEFIANT III DRILL & TAP GUIDE



DEFIANT III DRILL AND TAP KEY

DIAGRAM #	TO ACCOMMODATE THIS HOLE	DRILL SIZE	TAP SIZE
A	Thermostat hole	#22	10-24
B	Thermostat cover screw hole	#22	10-24
C	Draft damper wire holes	1/8" x 3/22" deep	N/A
D	Damper pin hole	#W (.3860")	N/A
E	Door handle hole	3/8"	N/A
F	Secondary air cover screw hole	#22	10-24
G	Leg bolt holes	5/16"	3/8-16
H	Bottom tie rod holes	5/16"	N/A
I	Ashlip screw holes	13/64"	1/4-20
J	Door pin holes	3/16"	N/A
K	Andiron holes	#3 (.2130") x 5/8" deep	1/4-20
L	Quad screw hole	#3 (.2130") x 14/32" deep	1/4-20
M	Secondary air tube hole	#22	10-24
N	Top tie rod hole	5/16"	N/A

Mountain View Hearth Products
manuals.stove-parts-unlimited.com

DISASSEMBLING THE DEFIANT III INTERIOR CASTINGS

STEP 1 Remove the lower baffle

With a large Phillips head screwdriver, remove the screw in the lower baffle. This screw fastens into a square nut, which rests in a slot behind the baffle, so no pliers or wrench is required. If the head is stripped, drill it off with a 1/4" drill bit. The shaft will fall free after removing the lower baffle.

To remove the lower baffle, reach in through the front doors and pull the forward end of the lower baffle toward the load door end of the stove. (fig. 1)

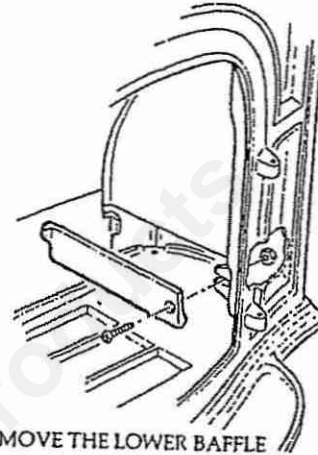


FIG. 1 REMOVE THE LOWER BAFFLE

In the event the lower baffle is frozen in place after removing the screw, and you are replacing the part, break the lower baffle in half by striking it with a steel head hammer.

As the lower baffle comes away, the upper baffle should slide straight down into position for removal. (fig. 2)



FIG. 2 SLIDE UPPER BAFFLE DOWNWARD

Step 2 Remove the upper baffle

After the upper baffle has slid down into the position previously occupied by the lower baffle, swing the back edge toward the right end. This will disengage the baffle from the tabs on the back plate. Bring the back edge completely into the corner above the secondary air tube. This will disengage the front edge from the tabs on the front plate, allowing the baffle to be maneuvered around the damper pin and out of the stove. (fig. 3)

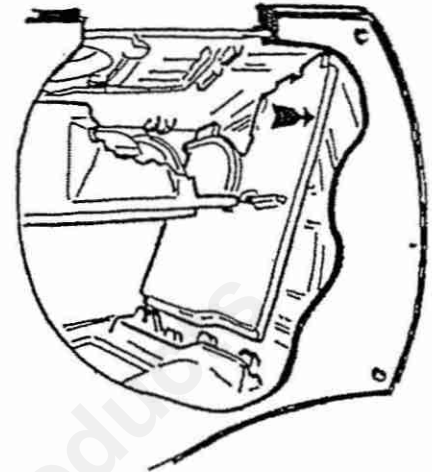


FIG. 3 SWING UPPER BAFFLE TOWARD RIGHT END
VIEW FROM TOP OF STOVE

Step 3 Remove the damper

With a 1/8" allen wrench, loosen the set screw on the damper handle and pull it off the handle pin. Reach through the griddle and slide the damper toward the right end to disengage the handle pin from the load door end. Bring the damper forward and down into the firebox to be removed. (fig. 4)

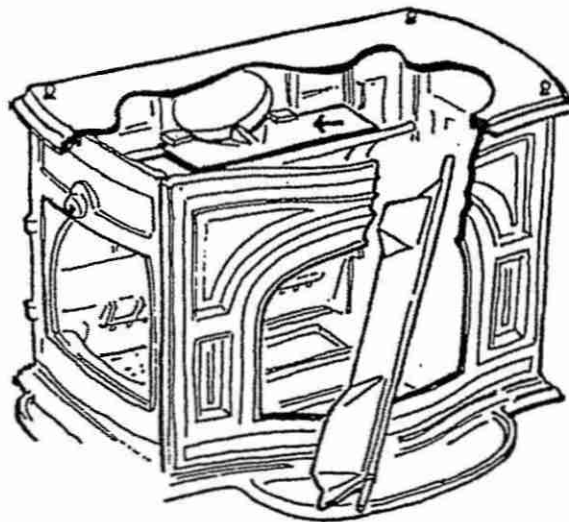


FIG. 4 REMOVE THE DAMPER

Step 4 Remove the smokeshelf

Reach in through the flue collar and lift the front of the smokeshelf upwards. Slide it toward the load door end to disengage it from the tabs on the back plate, and rotate the other end out the flue collar or out through the front doors.

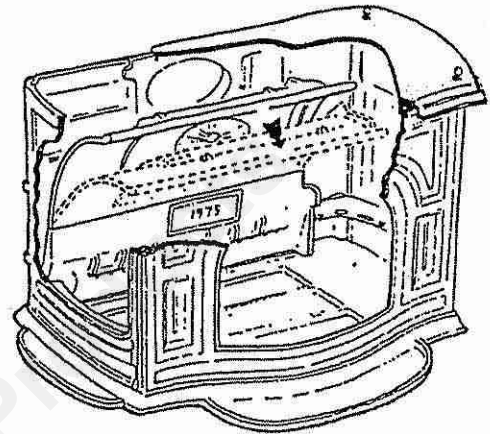


FIG. 5 REMOVE THE UPPER FIREBACK

Step 5 Remove the upper fireback

Reach in through the front doors and hold the upper fireback along its top edge. Slide it towards the right end with a lifting motion to disengage it from the load door end. Let it fall forward slightly, lift it off the lower fireback, and remove. (fig. 5)

Step 6 Remove the primary and secondary air tubes

Unscrew the primary and secondary airtube screws and remove. Soaking the primary air tube screw/nut with penetrating oil may be helpful. If the screws are frozen, shocking the threads by tapping the Phillips head screwdriver with a hammer, or using an impact wrench, may also be helpful.

(fig. 6) (fig. 7)

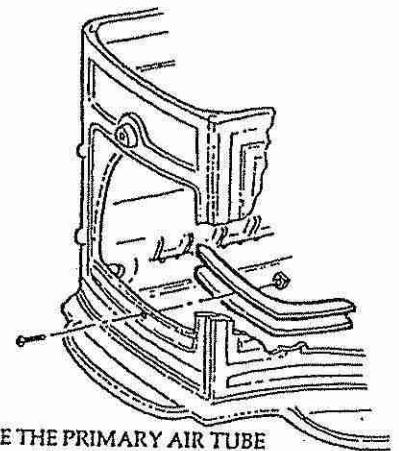


FIG. 6 REMOVE THE PRIMARY AIR TUBE

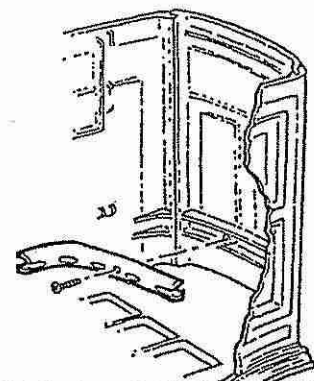


FIG. 7 REMOVE THE SECONDARY AIR TUBE

If the screw head is stripped, drill it off with a 1/4" drill bit and pull the air tube out. On the secondary air tube, remove the remaining shaft by using a vise grip.

Step 7 Remove the lower fireback

Reaching in through the front doors, hold the top edge of the lower fireback and slide it toward the right end to disengage it from the load door end. Tip it forward and remove it. Since this piece is cemented, it may be necessary to pry it away from the back plate. (fig. 8)

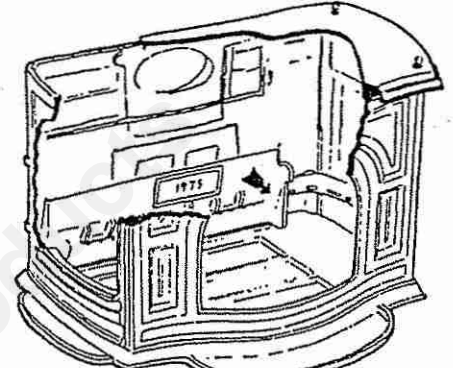


FIG. 8 REMOVE THE LOWER FIREBACK

THIS COMPLETES THE DISASSEMBLY OF THE INTERIOR BAFFLE PLATES IN THE DEFIANT III.

Step 8 Clean the stove and stove parts

Clean and vacuum the grooves that the lower fireback fits in and the channels on the back plate and lower fireback of all dried furnace cement and soot. Wipe with a damp cloth so that the replacement furnace cement will stay in place when applied.

Clean the areas where the air tubes attach to the left and right ends and also the grooves that hold the firebacks on the left end.

ASSEMBLING THE DEFIANT III INTERIOR CASTINGS

Step 1 Install the secondary air tube

Place the edges of the secondary air tube in the channels on the right end plate. Use the Phillips head 1/4 - 20 x 1 1/2" flathead machine screw provided. (fig.7)

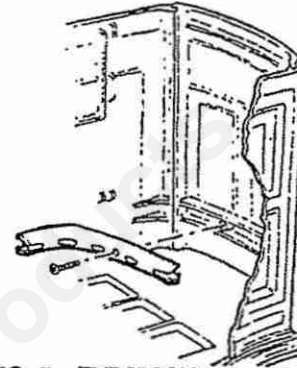


FIG. 7 THE SECONDARY AIR TUBE

Step 2 Install the lower fireback

Cement the secondary air tube channels along the backplate. Cement the channel between the tabs and ridge on the opening in the load door end. (fig. 9)

Place the bottom edge of the lower fireback between the back plate and the rib on the bottom plate. Pivot the top of the lower fireback towards the back plate and gently tap it left to engage the tabs at the load door end. The right end of the lower fireback fits over the secondary air tube. (fig. 10)

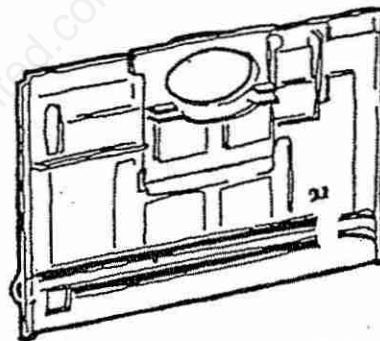


FIG. 9 CEMENT SECONDARY AIR TUBE CHANNELS ON THE BACK PLATE

Note: If replacing the firebacks or baffles, it is sometimes necessary to grind the cast pieces for a proper fit. It is our recommendation to pre-grind specific areas on some of these parts to insure a proper fit and to avoid potential problems during assembly.

The areas of concern are:

1. The interlocking tabs between the upper and lower firebacks. If the cast on these tabs is too thick, the upper fireback will not seat completely down on the top of

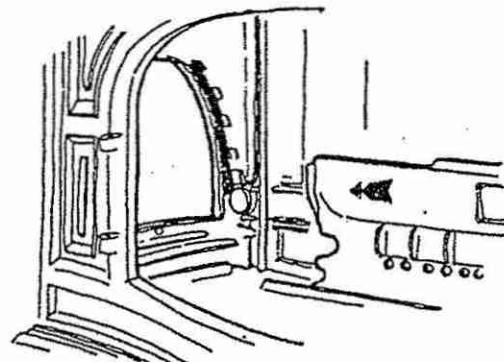


FIG. 10 ENGAGE LOWER FIREBACK WITH TABS IN THE LEFT END

the lower fireback and consequently will cause interference against the damper resting on top of the upper fireback. This interference will possibly show up as the damper binding when the stove is hot and all the plates are expanded.

2. The notched area or cut out section in the upper rear portion of the upper baffle should be enlarged to insure adequate clearance past its corresponding tab on the back plate. This will insure against potential problems during assembly and any subsequent disassembly that may be needed.

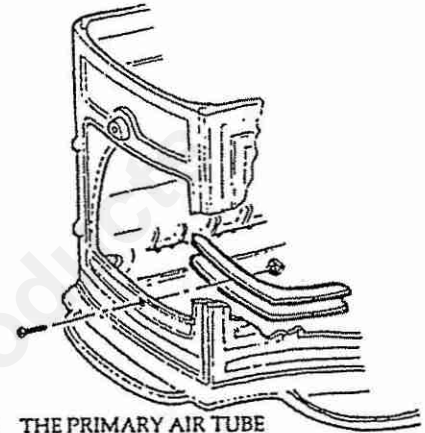


FIG. 6 THE PRIMARY AIR TUBE

Step 3 Install the primary air tube
Fit the lower edge of the primary air tube between the tabs provided on the load door end. The Phillips head screw is started on the outside of the load door end, and the square nut goes in the recessed square on the tube. (Fig. 6)

Step 4 Install the upper fireback
Place the upper fireback on top of the lower fireback so the interlocking tabs fit between each other. (Fig. 11) Pivot the upper edge of the upper fireback backwards and gently tap it left to engage the tabs at the load door end.

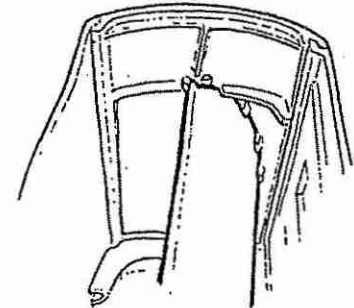


FIG. 11 ENGAGE UPPER FIREBACK WITH TABS IN THE LEFT END

Step 5 Install the damper
Set the damper on top of the upper fireback so the handle pin protrudes through the hole in the load door end. There is a rib at the load door end of the back plate upon which the damper rests in its lowered position. Make sure the damper is not caught under this rib. (Fig. 12)

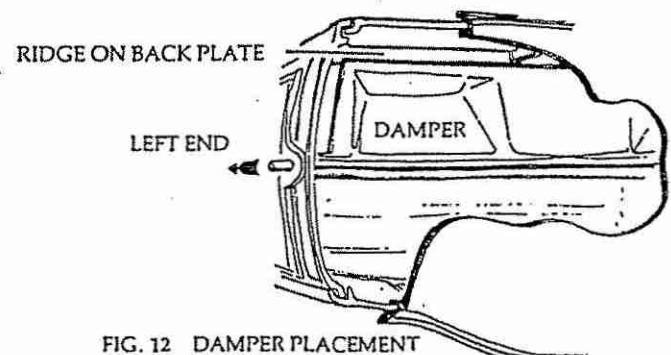


FIG. 12 DAMPER PLACEMENT

Step 6 Install the upper baffle

Rest the lower edge of the upper baffle on the secondary air tube in the back corner of the stove while you locate the front edge of the upper baffle between the tabs on the inside of the front plate.

Now rotate the back edge toward the fireback and at the same time lift up to hook the baffle over the end of the damper shaft. Check to make sure the front edge of the upper baffle remains between the tabs as you are rotating and lifting. The rear edge of the upper baffle makes a clean corner with the fireback when in proper position. (Fig. 13)

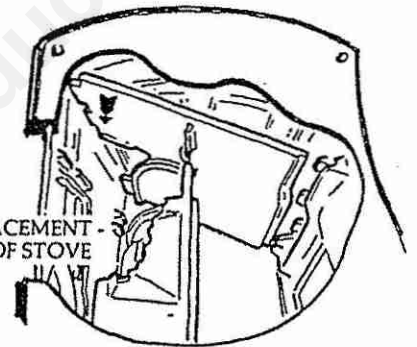


FIG. 13 UPPER BAFFLE PLACEMENT - VIEW FROM TOP OF STOVE

Step 7 Install the lower baffle

Grab the upper baffle and raise it straight up so that you can hook the tab of the lower baffle into the fireback. Be careful when lifting not to displace the upper baffle towards the right end. You can carefully rest the weight of the upper baffle on this little tab, remove your hand, and rotate the forward edge of the lower baffle into place. Install the Phillips head screw and nut in the lower baffle. (Fig. 14)

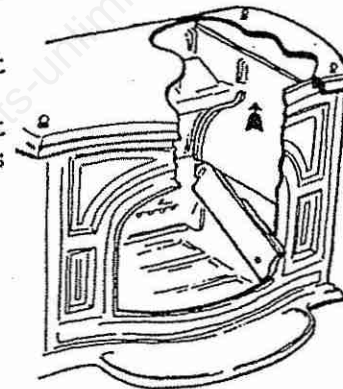


FIG. 14 RAISE UPPER BAFFLE TO POSITION LOWER

Step 8 Install the smokeshelf

Hold the smokeshelf so the triangular fin is upward and pointing toward the back plate of the stove. Position it into the stove through the flue collar to rest on the upper fireback and between the tabs on the back plate. (Fig. 15)

Replace the damper handle and you have completed the reassembly of the interior castings.

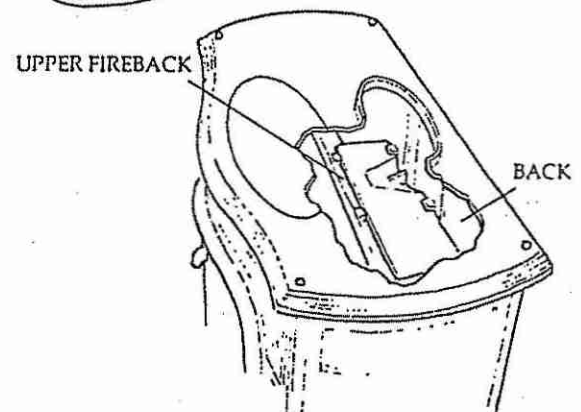


FIG. 15 SMOKESHelf PLACEMENT

DIRECTIONS FOR COMPLETE REFURBISHMENT OF DEFIANT III

Step 1 Preparation

With assistants, lift the Defiant off the floor onto blocks of wood or a stand high enough to remove the legs.

Remove the legs with a 9/16" socket wrench. Remove the griddle, front and loading doors, damper handle, thermostat assembly, and all accessories from the stove.

Use a winch strap or rope to securely hold the front, rear and side plates together.

Step 2 Remove Top

Break the tie rods by gripping the finial nuts with vise grips in a vertical position and rocking them back and forth. Pull the tie rods down through the bottom plate; you may have to bend them to remove them completely.

With a dead blow hammer, hammer upward under the outer edges of the top plate to loosen the seal. Lift off the top plate and set it aside for cleaning.

Step 3 Remove the interior castings.

Follow instructions provided in the Disassembly of Defiant III Interior Castings section of this manual.

Step 4 Remove exterior castings

Remove the winch strap or rope. Loosen the cement seams by tapping outward along the upper edges of the four side plates.

When the cement seal is broken, lift out the exterior castings in this order: front, left end, right end, back. (fig. 16)

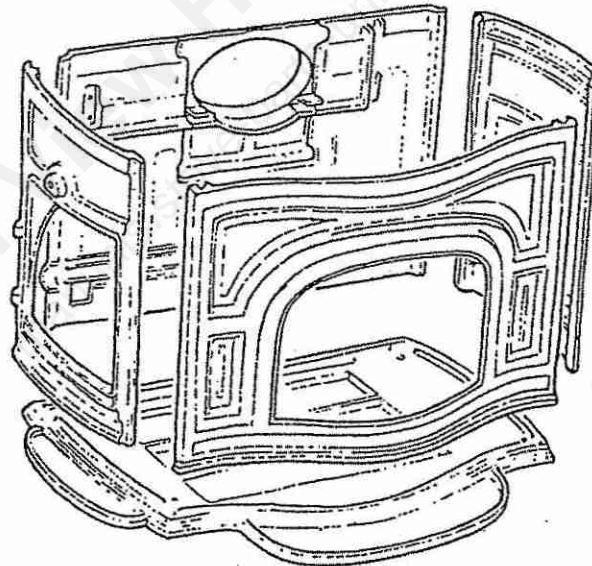


FIG. 16 LOOSEN AND REMOVE EXTERIOR CASTINGS

Step 5 Cleaning

The cement channels in each cast iron plate and the edges that fit into the cement channels will have to be cleaned of dried furnace cement and soot. It is important to thoroughly clean these areas to avoid problems in re-assembly. A hammer and narrow chisel or screwdriver usually performs this operation very easily.

Step 6 Assemble exterior castings

(fig. 17)

Place the bottom plate back up on the blocks or stand. Tape over the leg bolt holes with masking tape or install the leg bolts to avoid cement seeping into the holes. Should cement seep into the hole and harden on the threads, use a 3/8 - 16 tap to chase the threads.

Cement the four channels in the bottom plate.

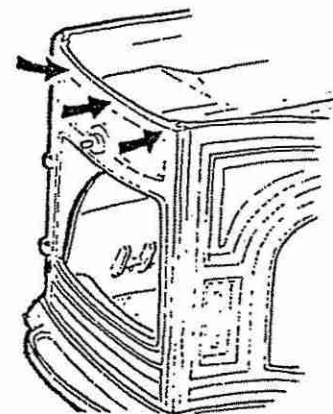
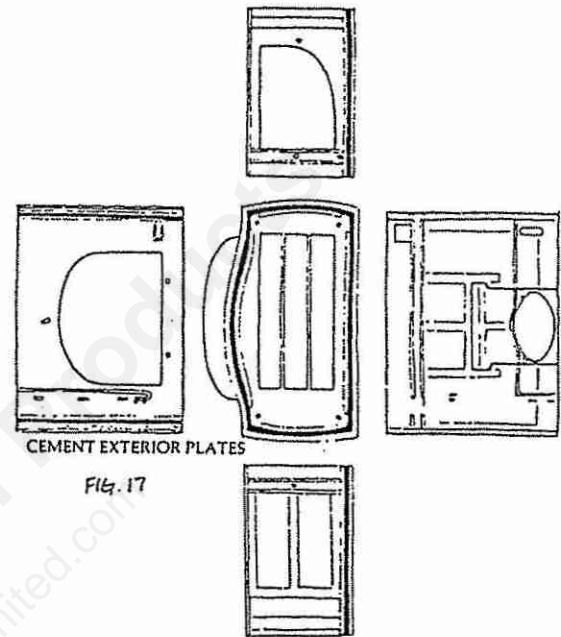
Cement the side channels in the front, back, left and right plates.

Assemble the outer castings in the following order: Back plate, right end overlapping the edge of the back plate, left end overlapping the edge of the back plate, and front plate overlapping the edges of the right and left ends. Use a winch strap or rope to securely hold these pieces together.

Hammer along the upper edges, particularly the corners, to seat the outer castings securely in place.

Step 7 Assemble the interior castings

Follow instructions provided in the Assembling the Defiant III Interior Castings section of this manual.



HAMMER UPPER EDGES OF CASTINGS TO SEAT SECURELY

Fig 18

Step 8 Install the top plate (Fig's. 18 + 19)

Cement the channel in the top plate. Place the top plate over the four outside castings. Hammer around the perimeter of the top plate to insure it seating over the outer castings. You may have to hammer the upper corners of the side plates inward to get the top to seat properly.

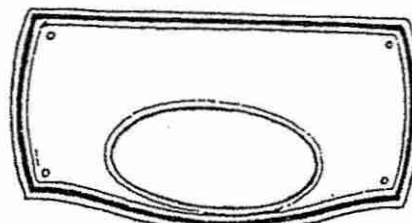


FIG 19 CEMENT CHANNELS IN TOP PLATE

Step 9 Install the tie rods (Fig. 20)

Screw the finial nuts tightly onto the four tie rods (on the end with a shorter length of threads). Slide the star washers under the finial nuts. Guide the rods down from the top plate through the bottom plate. It may be necessary on the rear left tie rod to attach vise grips immediately under the finial nut and rotate it while tapping on the finial nut.

Using a plastic cap or cardboard to protect the finial nuts, hold them with vise grips and tighten the hex nuts onto the bottom of the tie rods. Hammer the outside corners of the top and side plates to insure that they are in place, then tighten the tie rod nuts again. Break off the excess tie rod at the bottom, just below the hex nuts, by wrenching back and forth with the vise grips. Otherwise, the rod prevents the legs from being attached.

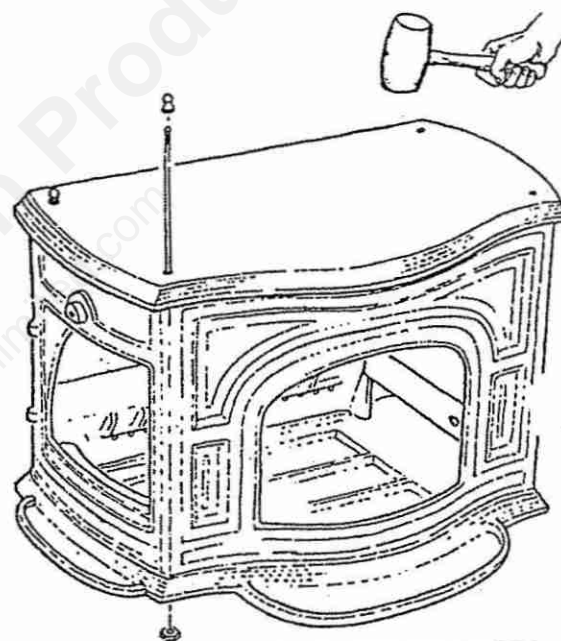


FIG. 20 REPLACE TOP AND ATTACH TIE RODS

Remove excess furnace cement that has squeezed from the seams onto the outside of the stove with a putty knife. Smooth furnace cement remaining in the seam with a wet cloth, achieving a uniform finish.

- * Repaint the stove.
- * Re-gasket the doors.
- * Wire brush and oil the griddle.
- * Re-attach the hardware: Damper handle, secondary air tube cover, and thermostat assembly.

Break off the excess tie rod at the bottom, just below the hex nuts, by wrenching back and forth with the vise grips. Otherwise, the rods prevents the legs from being attached.

DEFIANT III TOP REPLACEMENT

Step 1 - Preparation

Raise or lift the stove onto an appropriate stand so that the stove legs are off the floor.

Remove the legs with a 9/16" socket or open end wrench.

Remove the griddle, loading door, and front doors.

Step 2 - Top Plate Removal

Tie a rope securely around the body of the stove to secure the end seals when the top plate is removed.

Break the tie rods by gripping the finial nuts with vise grips and bending back and forth.

Tap upwards under the edge of the top plate to loosen. Remove the top plate.

Push the tie rods down through the stove and remove. Discard these tie rods as new ones will be used.

Cement the perimeter of the new top plate in the appropriate channel (Fig.1).

Replace the top plate over the four outside castings.

Hammer all the way around the perimeter of the top plate to seat it down over the outer cast plates. You may have to hammer the upper corners of the side plates inward to get the top to settle down correctly.

Step 3 - Install the tie rods

Screw the new finial nuts onto the shorter threaded ends of the new tie rods. Guide the rods down through the top plate and through the tie rod holes in the bottom plate.

Screw the hex nuts onto the bottom of the tie rods and tighten with

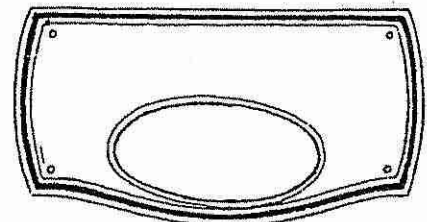


FIG.1 CEMENT CHANNELS IN TOP PLATE

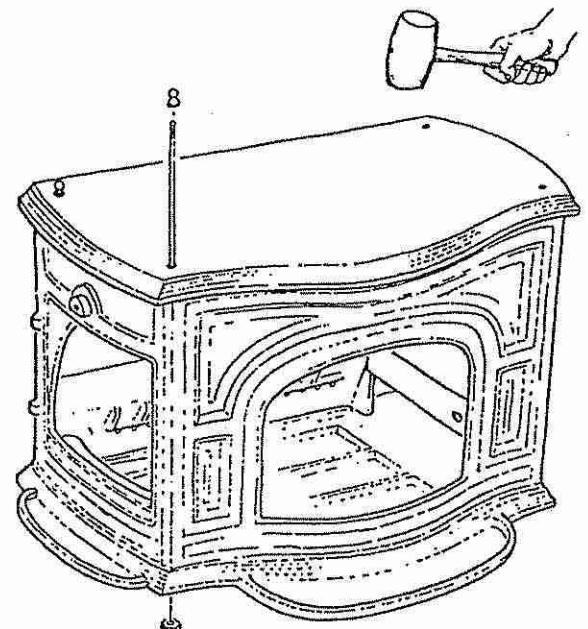


FIG.2 REPLACE TOP AND ATTACH TIE RODS

a 7/16" deep socket. Hammer the outside corners of the top and side plates to insure that they are in place. Tighten the tie rod nuts again.

Break off the excess tie rod at the bottom, just below the hex nuts, by wrenching back and forth with vise grips. Otherwise, the rod prevents the legs from being attached.

Step 4 - Finishing

Smooth the cement underneath the top with a putty knife.

Remove all excess cement from the outside of the stove with warm water and a rag.

Wipe the seams with a dry rag.

Repaint the new top plate.

Reattach the primary airtube.

Gasket the griddle opening and replace the griddle, loading door and front doors.

DEFIANT III BOTTOM PLATE REPLACEMENT

Step 1 - Preparation

Lift or raise the stove onto a stand or blocks so that the stove legs are off the ground.

Remove the legs using a 9/16" socket or open end wrench.

Clean the stove bottom of all insulating sand or ash.

Remove the griddle, loading door, and front doors.

Gently roll the stove over onto its top plate.

Tie a rope securely around the body of the stove to prevent breakage of the end seals when the bottom plate is removed.

Step 2 - Bottom plate removal

Using a 7/16" socket or open end wrench, remove the hex nuts from the bottom of the tie rods. Hold the finial nuts with vise grips if necessary to prevent rod spin.

Gently tap underneath the bottom plate edge with a rubber mallet to loosen. Remove the bottom plate.

Push the tie rods down through the stove and remove. New tie rods will be installed so bend the used ones if necessary.

Step 3 - Install new bottom plate

Place masking tape over the corner leg bolt holes to prevent cement from entering them.

Cement the perimeter of the new bottom plate in the appropriate channel (fig 1).

Flip the cemented bottom plate over onto the stove and set the front, back and end plate edges into the channels of the bottom plate. Tap the bottom plate down to assure correct fitting.

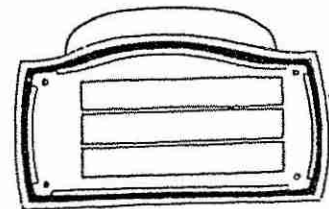


FIG 1

Step 4 - Tie rod installation

Screw the tie rod hex nuts onto the longer threaded ends of the tie rods.

Feed the shorter threaded ends down through the bottom plate tie rod holes and out through the top plate tie rod holes.

Step 4 - continued

Screw the finial nuts onto the tie rods underneath the top plate.

Tighten the hex nuts with a 7/16" deep socket, tapping the bottom plate down to assure correct fit.

When the bottom plate is secure, break the excess tie rod above the hex nuts by gripping them with vise grips and bending back and forth. Failure to do this will prevent replacement of the stove legs.

Step 5 - Finishing

Screw the side ashlip onto the bottom plate. Gently roll the stove back over onto the new bottom plate. Remove the rope from around the stove.

Check the damper for free movement. If the damper sticks, tap the upper fireback down as it may have ridden up when the stove was rolled over.

Wash the excess cement off the bottom plate seam with warm water and a rag.

Wipe the seam dry with a dry rag.

Paint the bottom plate and any other sections of the stove that is necessary.

Replace the griddle, loading door, front doors, and primary air tube on the left end.