



# #1078 Warming Shelf

## Installation Instructions

Please read these instructions carefully before mounting the Warming Shelf to the stove.

### Contents:



- Warming Shelf
- 1/4" -20 x 5/8" Hex Short Bolts, (2)
- Brackets, (2)

Please contact your dealer if any of these parts are missing.

The warming shelf can mount on either side of the small or large Dutchwest convection stoves built after mid-1993. Mounting it on the left side of stoves built between mid-1993 and fall 1996 will require replacing the damper operating rod. For the small stove, use rod #7001131(C). For the large stove, use rod # 7001145 (C).

### Installation Instructions

1. Loosen, but do not remove, all four bolts that hold the top to both sides of the stove.
2. Remove only the two bolts and washers from the side of the stove to which the shelf will be mounted. Retain washers for later use.
3. Mount the two brackets to the stove as shown in Figure 2. Using the original bolts, thread the bolts into place and tighten. Re-tighten the bolts on the other side of the stove. Do not over-tighten.
4. Mount the warming shelf onto the two brackets using the two short bolts and washers. Note that there are two slots in each bracket; you will use only the inner slots, as shown in Figure 2. The shelf should fit snugly and level against the side of the stove's top plate.

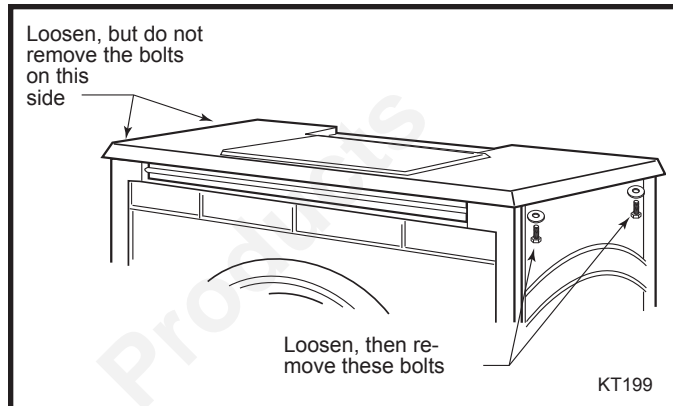


Fig. 1 Loosen and remove bolts on side of stove where shelf will be attached.

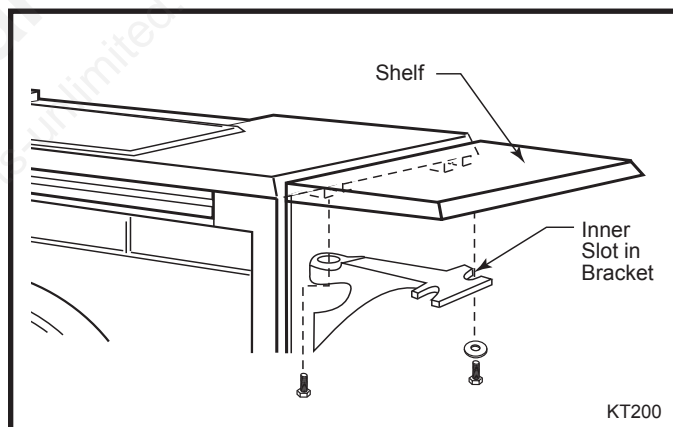


Fig. 2 Mount bracket to stove, then shelf to brackets.

### Vermont Castings Group

149 Cleveland Drive • Paris, Kentucky 40361  
www.vermontcastingsgroup.com