

Flue Collar Heat Shield Horizontal/Vertical Termination - Installation Instructions for the Dutchwest NonCatalytic Models 2477, 2478, 2479



Tools required:

- Phillips screwdriver

Please read these instructions completely before you begin the installation.

These instructions apply to Kits #0328 and 0329, Flue Collar HS Horizontal/Vertical.

These heat shields act as a barrier between your stove and any combustible materials by reflecting the radiant heat from the flue collar and keeping nearby combustible walls and/or protected surfaces cooler. Complete details on approved clearances to combustible surfaces are in the Owner's Manual supplied with your stove.

The stove has pre-drilled holes on the outer back for mounting the flue collar heat shield. NOTE: The flue collar heat shields are shipped flat (Figure 1) and need to be bent into the correct form before installation on the stove.

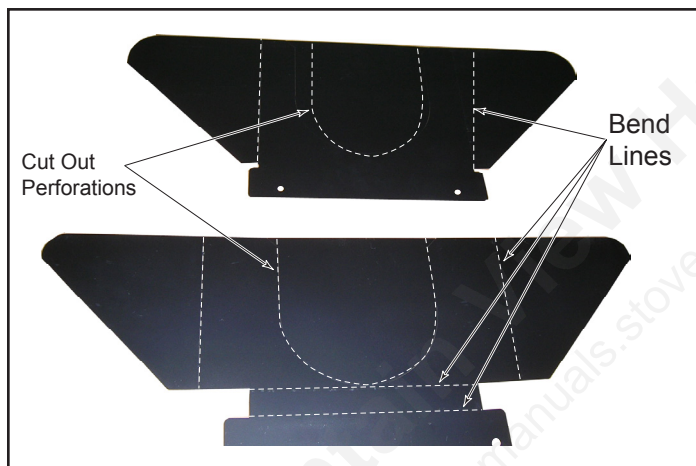


Figure 1

 CAUTION
Sheet metal parts may be sharp. Wearing gloves is recommended.

Installation Instructions

1. For the Dutchwest Large stove flue collar heat shield, bend the lower mounting flange forward and down at right angles along the bend lines as shown in Figure 2.



Figure 2

2. For both heat shields, bend the sides forward along the bend lines at right angles as shown. Figure 3
3. For a vertical pipe installation, the center cut out remains in place. Figure 3

For a horizontal pipe installation, remove the center cut out by flexing the cut out back and forth until the attachment tabs break. Figure 4

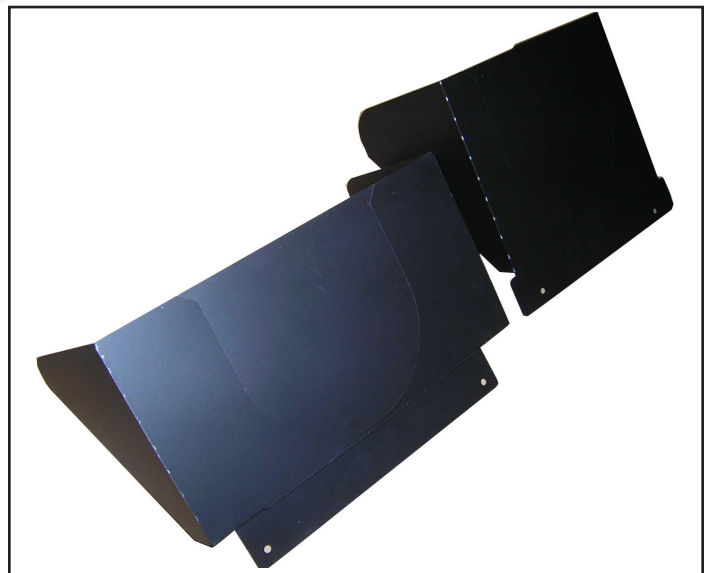


Figure 3 - Vertical Configuration

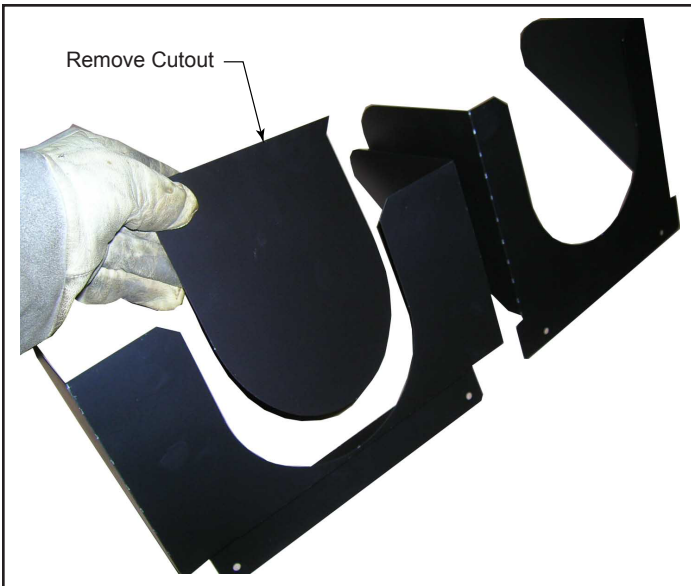


Figure 4 - Horizontal Configuration

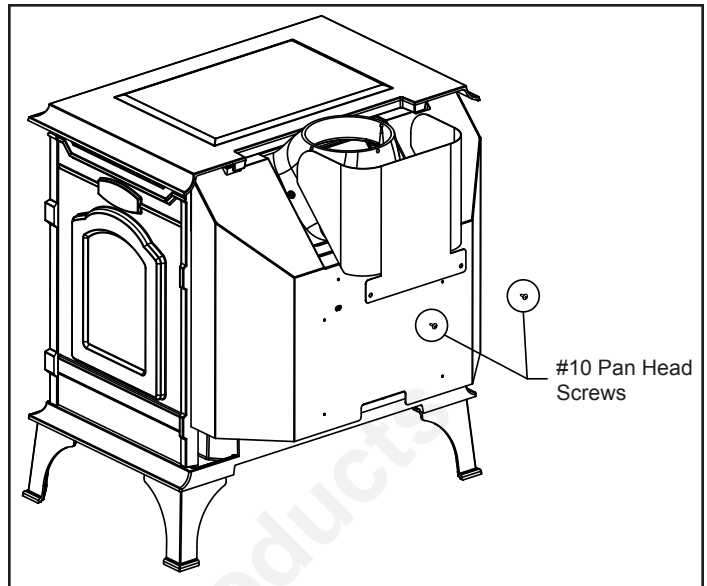


Figure 7 - Flue Collar Installation with Vertical Termination

4. Remove the two #10 x 1/4" pan head screws from the hardware bag.
5. Align the holes of the shield with the holes of the outer back and secure the shield using the two #10 pan head screws. Tighten firmly with the phillips screwdriver. Figures 6 & 7.

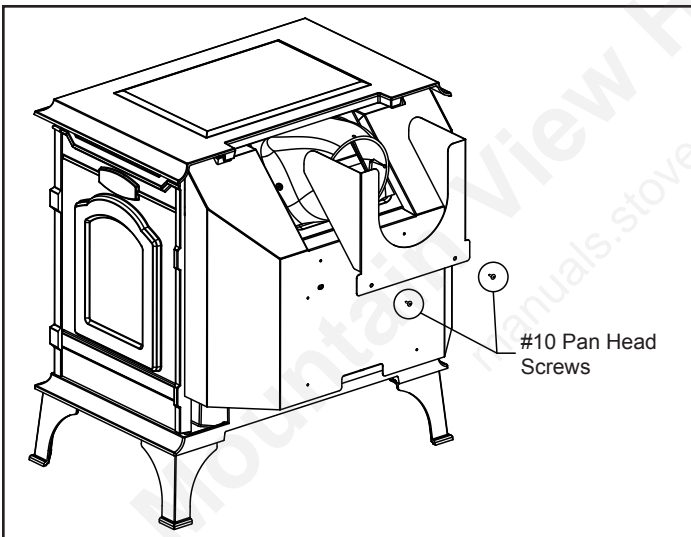


Figure 6 - Flue Collar Installation with Horizontal Termination

VERMONT
CASTINGS

352 Mountain House Road • Halifax, PA 17032
www.vermontcastings.com