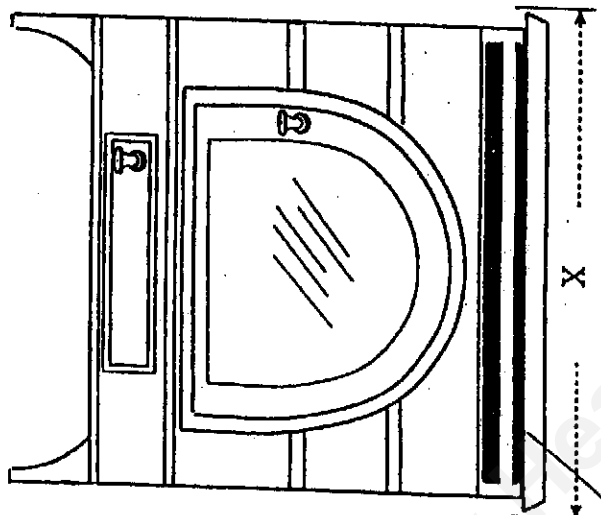


**Identification guide
for
1984-1997 Dutchwest Stoves**

Dutchwest

There is a wide variety of Dutchwest stoves. This guide will help you identify stoves built between 1984-1997. Sometimes two or three model numbers appear on the identification plate; the model number for a stove may not be checked off. To start on identifying a stove, measure across the top plate, including where it overhangs the sides. Then, compare features with this guide to determine which stove you have. Note that measurements are approximate.

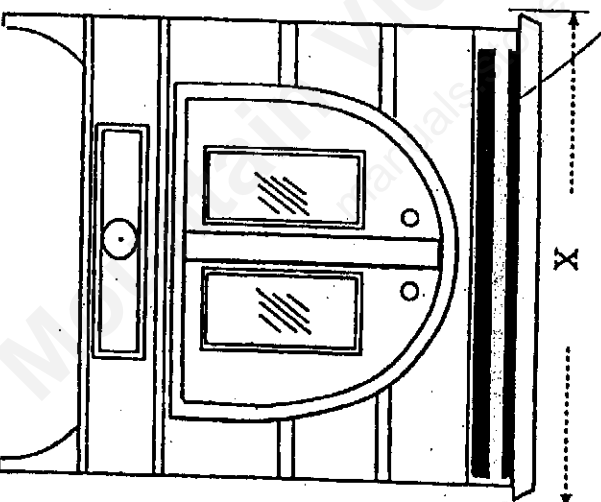
The convection air outlet is a horizontal slot with a brass bar.



1993- units

Single main front door

- If X = 22", stove is model 2460 (small convection)
- If X = 26", stove is model 2461 (large convection)
- If X = 28", stove is model 2462 (extra-large convection)



1990-1993 units

Two front doors, side by side

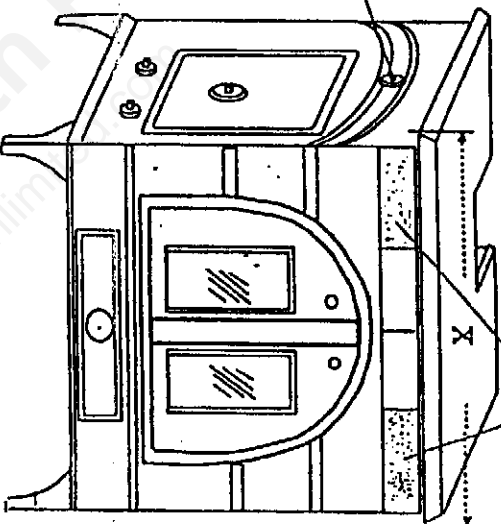
- If X = 22", stove is model 2181 (small convection)
- If X = 26", stove is model 2183 (large convection)
- If X = 28", stove is model 2184 (extra-large convection)
(The extra-large has arched windows)



REPLACEMENT PARTS

1984-86 and 1986-1990 Dutchwest Convection stoves

Two separate screened air outlets here.



Units built in 1984-86 have no air inlet over the side door;

Units built in 1986-90 have an air inlet over the side door.

If X = 22", stove is model FA224CCL (small convection).

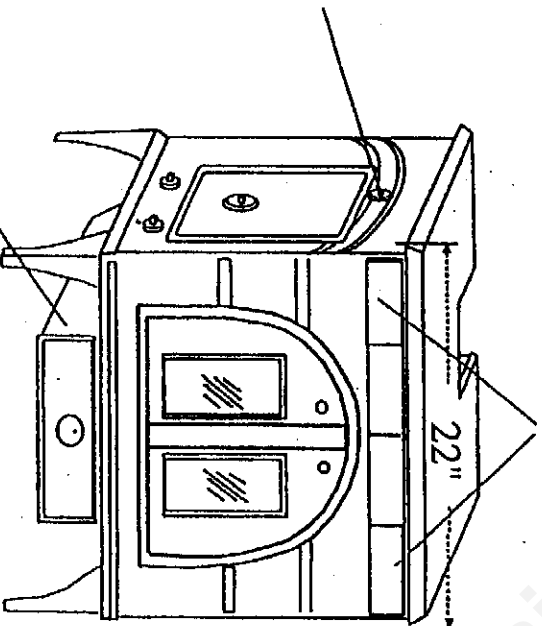
If X = 26", stove is model FA264CCL (large convection).

If X = 26" and the side-load door is on the right-hand side (as you face the stove), the stove is model FA264CCL-R.

If X = 28", stove is model FA288CCL (extra-large convection). 1985-90 versions of model FA288CCL have arched windows.

FA224ACL 'A-plus' Stove

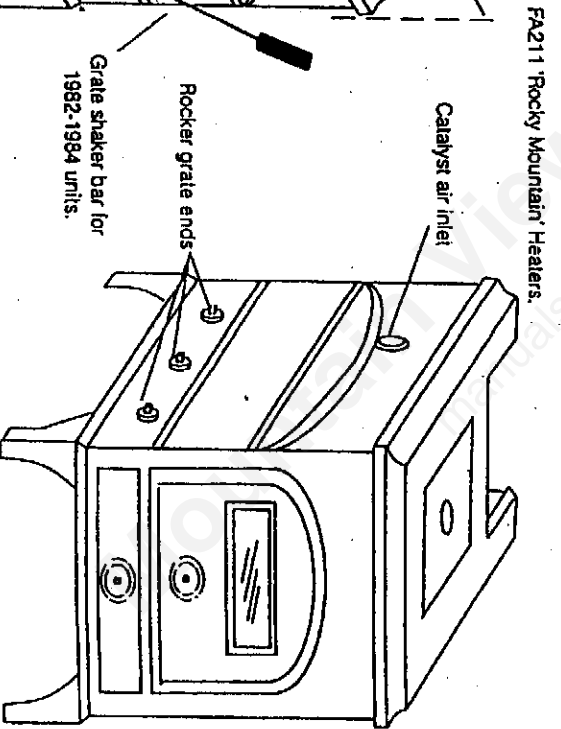
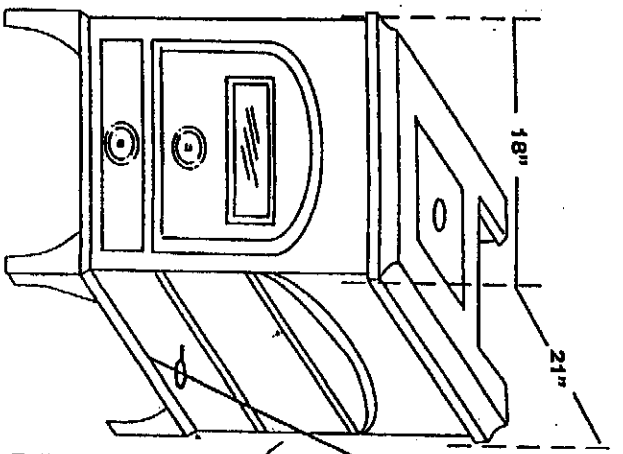
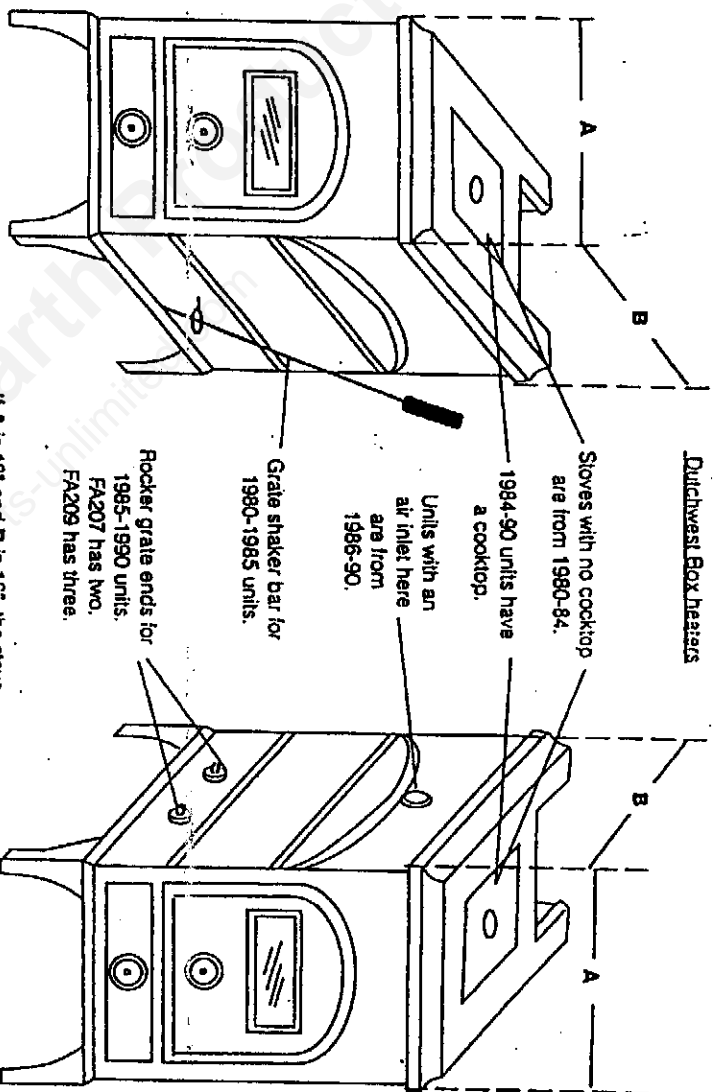
no air outlets here.



Units built in 1984-86 have no air inlet over the side door;

Units built in 1986-90 have an air inlet over the side door.

External ashpan

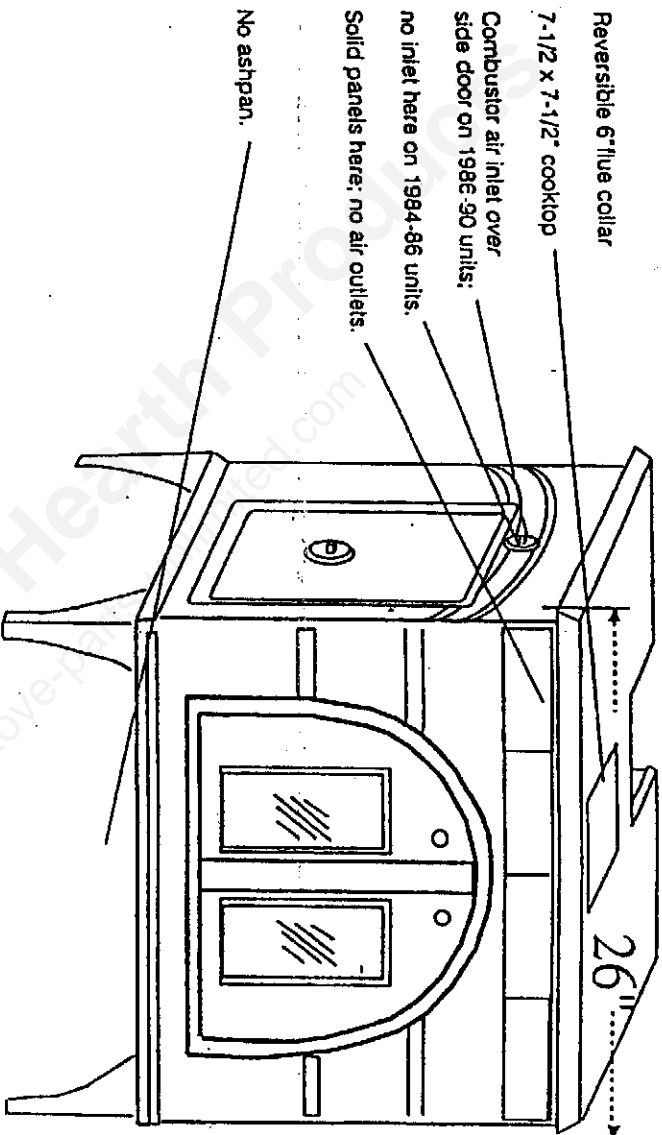


Units with a shaker bar, and no catalyst air inlet are from 82-84.

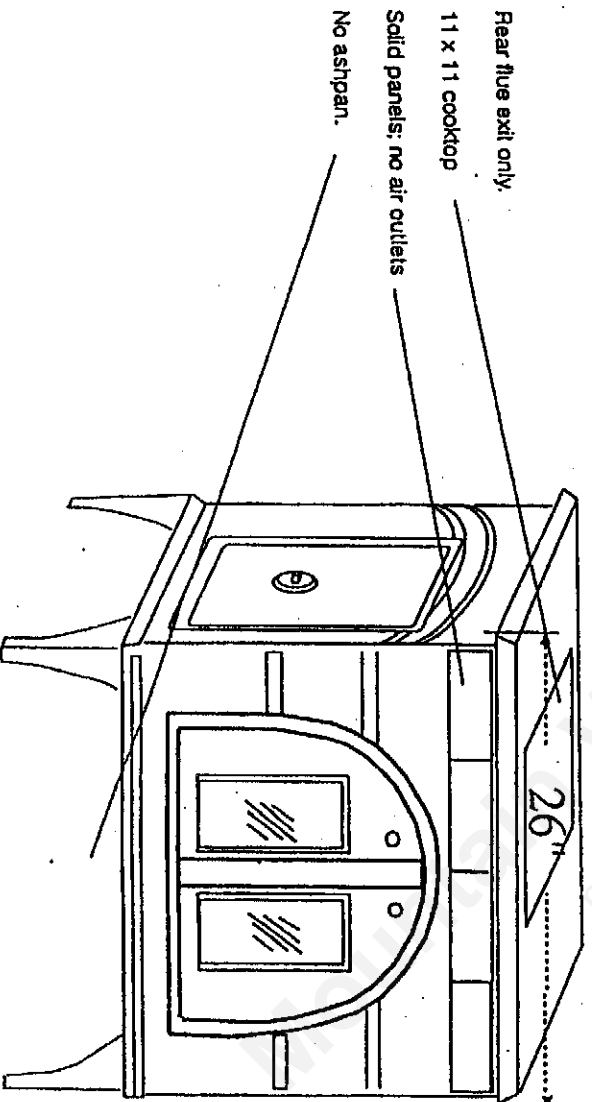
Units with rockers and no catalyst air inlet are from 84-86.

Units with rockers and a catalyst air inlet are from 86-90.

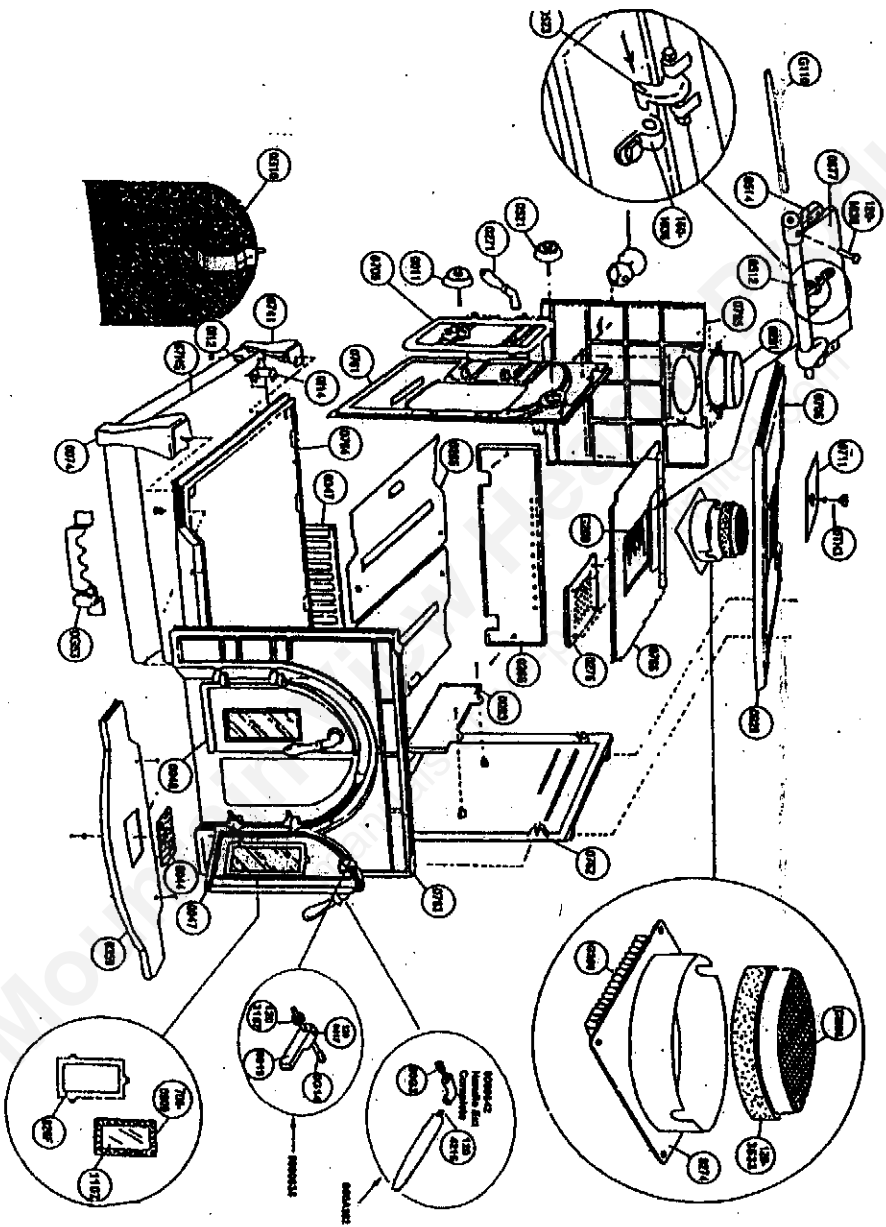
Catalytic FA267CL 'Adirondack' stove



Non-catalytic FA267L 'Adirondack' stove
(built 1982-84)



ADIRONDACK MODEL # 267C





REPLACEMENT PARTS

Adirondack (267C)

ITEM # PART DESCRIPTION

CAST PARTS

AA-7000765	BAGK
7000276	BAFFLE
AA-7000764	BOFGM
7000877	BY-PASS GATE
7000523	BY-PASS GATE CONNECTOR
700512A	BY-PASS GATE CRANK
7000514	BY-PASS GATE SIDE SUPPORT
7000274	COMBUSTOR CHAMBER
7000711	COOK TOP
0000838	DOOR LATCH
AA-7000063	BOGR-PANEL
AA-7000265	FIXED-GRATE SECTION
AA-7000294	FLUE COLLAR
AA-7000763	FRONT
AA-7000347	FRONT-GRATE
AA-0007635	FRONT-WIDGORS-ASSEMBLY
AA-7000268	GRATE-BAGK
AA-7000359	HEARTH
AA-7000924	INNER-TOP
AA-7000928	INNER-TOP-CHANNEL
AA-7000048	LEFT-DOOR
AA-7000764	LEFT-SIDE
AA-000761S	LEFT-SIDE-WIDGOR-ASSEMBLY
7000074	LEG 8" (1)
7000SL8	LEG PKG.(4)
AA-7000047	RIGHT-DOOR
AA-7000709	SIDE-DOOR
7001020	SIDE HALF WALL
7000093	STRAINER
7000275	TOP
AA-7000706	TOP

SUBSTITUTE:

7001020
7000093
7000275
AA-7000706

SIDE HALF WALL
STRAINER
TOP

Mountain View
manuals.stove-parts-unlimited.com

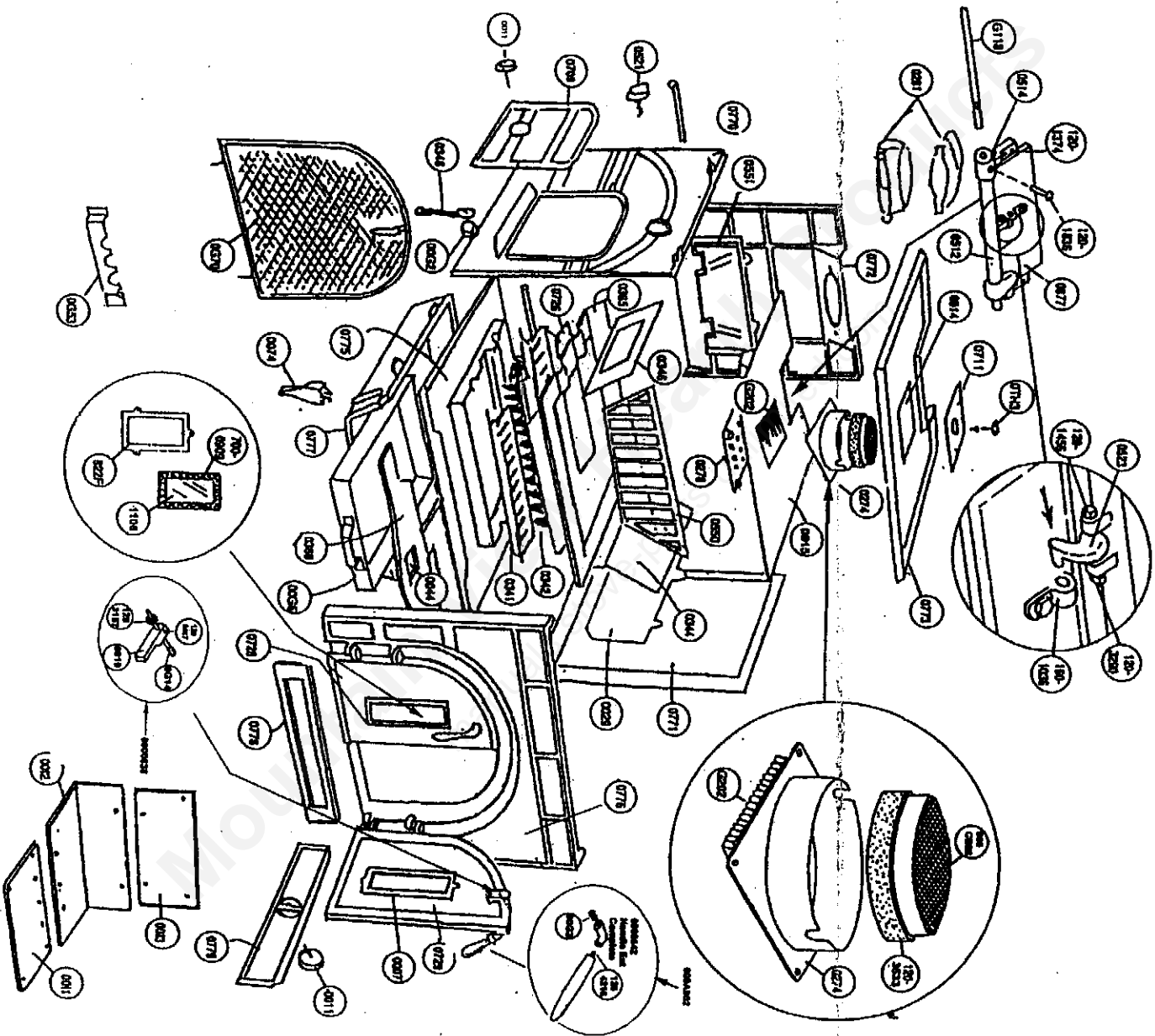
NON-CAST PARTS

7000G46	2-1/8 LG. 2MM ALLEN WRENCH
NA-7000G44	2-3/8-3MM ALLEN WRENCH
700G200	AIR TUBE
NA-0000944	BRASS DIAL DAMPER
SUBSTITUTE: 7000011	
NA-0000949	BRASS DIAL DAMPER COMBUSTOR
SUBSTITUTE: 7000521	
000A902	BRASS HANDLE ASSEMBLY
700G110	BYPASS GATE OPERATING ROD
000CB56	CATALYTIC COMBUSTOR
0000TH3	CATALYTIC PROBE THERMOMETER
7000G13	DOOR SHAFT INSERT THREAD REPAIR
7000G14	DOOR STEM
NA-7000G19	FIREGREEN
700826F	FRAME
7001107	GLASS 4" x 9"
0000842	HANDLE EXTENSION C/W STUD & SPRING
70000G3	HANDLE SPRING
NA-70067HS	HEAT SHIELD
7000114	HEAT SHIELD BRACKET
0000112	HEAT SHIELD SPACER
NA-000TB14	THERMOSTAT
1601036	TORSION BAR CLIP
NA-7009G53	WALL BRACKET

HARDWARE, GASKETS, & ACCESSORIES

SEE HARDWARE, GASKETS AND ACCESSORIES FOR ALL 8889 PRODUCT

A PLUS MODEL 224ACL





REPLACEMENT PARTS

A-Plus (224ACL)

ITEM # PART DESCRIPTION

CAST PARTS

NA-7000777	ASH BIN
7000779	ASH DOOR
NA-7000778	ASH DOOR FRAME
7000772	BACK
7000276	BAFFLE
7000775	BOTTOM
7000877	BY-PASS GATE
7000523	BY-PASS GATE CONNECTOR
700512A	BY-PASS GATE CRANK
7000514	BY-PASS GATE SIDE SUPPORT
7000274	COMBUSTOR CHAMBER
7000711	COOK TOP
0000838	DOOR LATCH
7000007	DOOR PANEL
7000342	FIXED GRATE SECTION - 12 1/2" LONG
NA-7000291	FLUE COLLAR
NA-7000776	FRONT
7000550	FRONT GRATE
NA-7000765	FRONT W/DOORS ASSEMBLY
7000551	GRATE BACK
7000365	GRATE FRAME
7000369	HEARTH
7000915	INNER TOP
7000914	INNER TOP CHANNEL
NA-7000729	LEFT DOOR
NA-7000770	LEFT SIDE
7000346	LEFT SIDE GRATE
NA-7000705	LEFT SIDE W/DOOR ASSEMBLY
7000074	LEG 8" (1)
NA-7000729	RIGHT DOOR
7000771	RIGHT SIDE
7000344	RIGHT SIDE GRATE
7000341	ROCKER GRATE
70000G2	SHAKER GRATE CAP ASSEMBLY
7000726	SHAKER GRATE COVER
7000709	SIDE DOOR
SUBSTITUTE: 7001020	
7000029	SIDE HALF WALL
7000275	STRAINER
7000773	TOP

Mountain View Hearth Products manuals.stove-parts-unlimited.com

CANADIAN A-PLUS (NEW)

USES SEQUOIA STYLE DOOR LATCHES

7002777 FRONT
 NA-700777S FRONT WITH DOORS
 NA-7002774 LEFT SIDE
 NA-700774S LEFT SIDE WITH DOOR

NON-CAST PARTS

7000G46 2-1/8 LG. 2MM ALLEN WRENCH
 NA-7000G44 2-3/8-3 MM ALLEN WRENCH
 700G202 AIR TUBE
 7000G79 ASHPAN
 NA-00000044 BRASS DIAL DAMPER
 NA BRASS DIAL DAMPER COMBUSTOR

SUBSTITUTE: 7000011

SUBSTITUTE: 7000521

000A902 BRASS HANDLE ASSEMBLY
 7000044 BRASS NAME PLATE
 NA-7000G44B BYPASS-GATE OPERATING ROD
 0000TH3 CATALYST PROBE THERMOMETER
 000CB56 CATALYTIC COMBUSTOR
 7000G13 DOOR SHAFT INSERT THREAD REPAIR
 7000G14 DOOR STEM THREADED
 7000G70 FIRESCREEN
 700822F FRAME
 7001106 GLASS
 0000842 HANDLE EXTENSION
 70000G3 HANDLE SPRING
 7000011 HEAT SHIELD
 7000013 HEAT SHIELD BACK
 7000018 HEAT SHIELD BRACKET BOTTOM
 NA-7000014 HEAT SHIELD BRACKET REAR
 7000012 HEAT SHIELD MIDDLE
 7000G45 OUTLET SCREEN
 7000348 SHAKER GRATE TOOL

SUBSTITUTE:

1601036 TORSION BAR CLIP
 NA-7000G53 WALL BRACKET

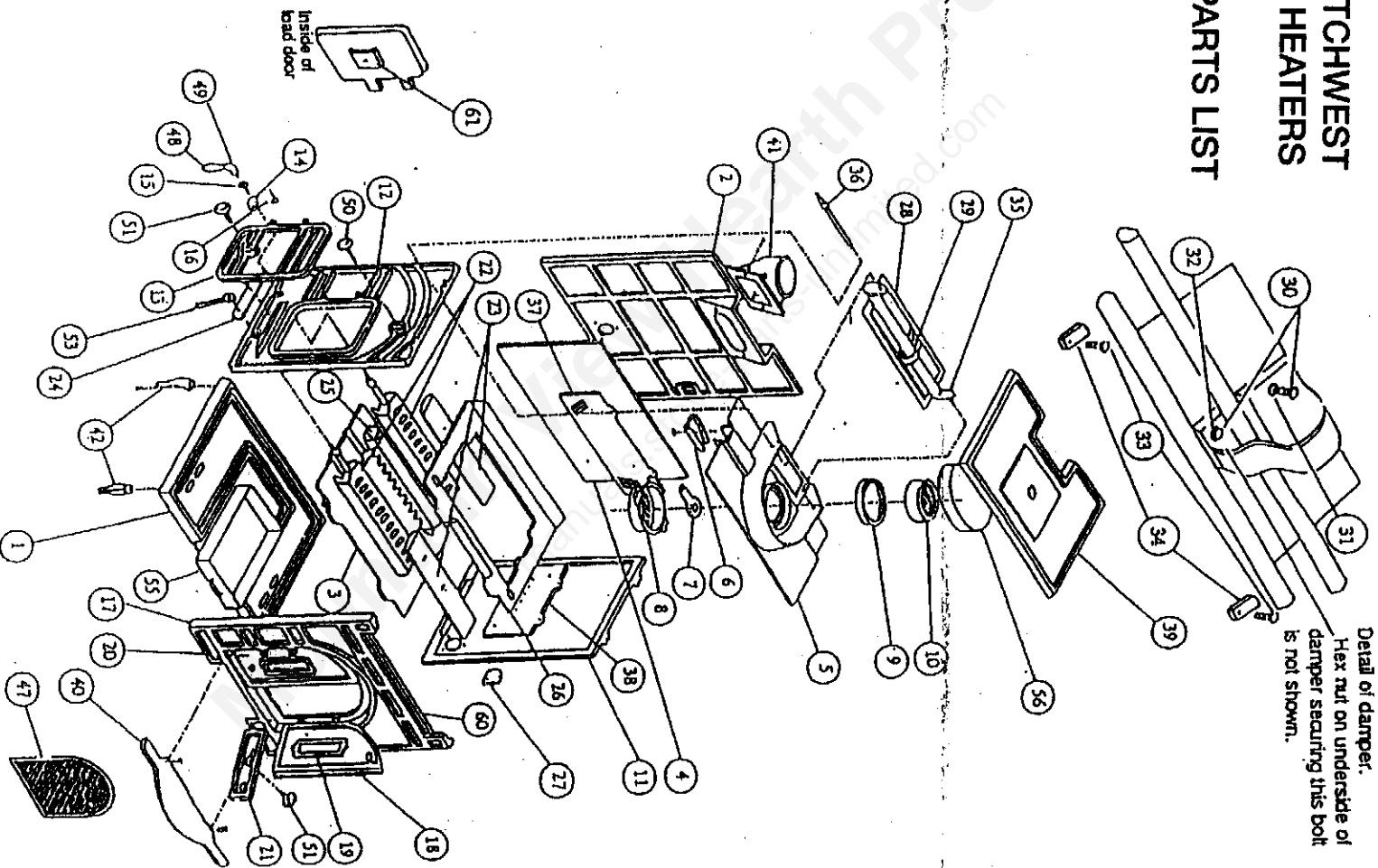
HARDWARE, GASKETS, & ACCESSORIES

SEE HARDWARE, GASKETS AND ACCESSORIES FOR ALL 88-89 PRODUCT

**1990-1993 DUTCHWEST
CONVECTION HEATERS**

X-VIEW AND PARTS LIST

MODEL:
2181 (Small)



Small Convection Model #2181

MANUFACTURED 1990-1993

DIAGRAM #	ITEM #	PART DESCRIPTION
1	7000958	BOTTOM
2	NA-7000969	BAGK
	7001183	
SUBSTITUTE:		
3	7001017	INNER BOTTOM
4	NA-7000959	INNER-BAGK
SUBSTITUTE:		
5	7001173	INNER TOP WITH WEB
6	0000003	INNER TOP CHANNEL CAP
7	7000961	AIR DISTRIBUTOR
8	7000952	BAFFLE
9	7000953	INTERAM GASKET 6"
10	0000837	CATALYST
11	000CB56	
12	NA-7000967	RIGHT-SIDE
SUBSTITUTE:		
13	7001217	LEFT SIDE
14	7000966	LEFT-SIDE-WITH-DOOR
15	NA-0009664	LEFT SIDE DOOR
16	7001020	DOOR LATCH W/SET SCREW + UNTHREADED SHAFT (#15)
17	0000836	DOOR SHAFT UNTHREADED
18	700G809	5/16-18 X 5/16 USS SOC
19	1200563	FRONT
20	NA-7009574	FRONT-WITH-DOORS
21	NA-0009574	RIGHT DOOR
22	7001019	DOOR PANEL
23	7000007	LEFT DOOR
24	7001018	ASH DOOR
25	7001027	ROCKER GRATE
26	7001084	GRATE COVER
27	7000726	GRATE SEAL
28	7001083	FIXED GRATE
29	7000342	GRATE FRAME
30	7000365	FAN PLATE
31	7000037	BYPASS GATE
32	7000954	BYPASS ADJUSTER
33	7000950	1/4-20 X 1/2 HEX HD
34	1201376	1/4-20 HEX HD NUT
35	1203210	1/4 WASHER
	1202527	1/4-20 X 1/2 HEX HD
	1201338	DAMPER TAB
	1601488	BYPASS GATE CRANK
	7000951	

36	7000964	BYPASS GATE OPERATING ROD
37	7000551	BACK GRATE
38	7000968	BALANCE AIR PLATE
	SUBSTITUTE: 7001198	
39	7000960	TOP
40	7000369	HEARTH
41	7000969	FLUE COLLAR
42	7000016	6" LEG (1)
	7000SL6	6" LEG SET
	7000G70	FIRESCREEN
47	000A902	BRASS HANDLE ASSEMBLY
48	0000842	HANDLE EXTENSION ASSEMBLY
49	7000521	BRASS DIAL SMALL
50	7000011	BRASS DIAL LARGE
51	7000348	SHAKER GRATE TOOL
53	7000G79	ASH PAN
55	1602515	REFRACTORY
56	70000G8	SPRING HANDLE
57	AA-7999965	FRONT BRASS ROD
60	7001179	DOOR AIR DIFFUSER PLATE
	SUBSTITUTE: 7000945	
61		

ITEMS NOT SHOWN

1205147	5/32 ALLEN WRENCH
7000044	BRASS NAME PLATE
7001030	GENERAL INSTRUCTIONS
0005840	STOVE BAG KIT
7001106	GLASS
700822F	GLASS FRAME
7000948	THERMOMETER

HARDWARE

1201836	HINGE PIN
0005810	HARDWARE PACKAGE
1601488	DAMPER TAB
1203210	1/4-20 HEX HD NUT (BACK, FRONT, BYPASS ADJUSTER)
1202473	14 FLAT WASHER (BYPASS ADJUSTER)
1201338	1/4-20 X 1/2 HEX HD



REPLACEMENT PARTS

- 1201322 (DOOR PANEL, DAMPER TAB)
10-24 X1/2 HEX HD
(FAN PLATE)
- 1203110 1/4-20 WING NUT
(GRATE COVER)
- 1200815 1/4-20 X 1 1/2 PHIL FL HD
(GRATE COVER)
- 1202527 1/4 WASHER
(GRATE COVER)
- 1200563 5/16-18 X 5/16 \SS SOC
(DOOR LATCH)
- 1204214 1/4-20 X 1 1/2 FUL THD CRS STUD
(BACK, FRONT)
- 1201372 1/4-20 X 5/8 HEX HD
(DIFFUSER PLATE)
- 1201374 1/4-20 X 3/4 HEX HD
(BAFFLE, GRATE BACK, BALANCE AIR PLATE)
- 1201392 1/4-20 X 2 HEX HD
(INNER TOP CHANNEL)
- 1201394 1/4-20 X 3 3/4 HEX HD
(INNER BOTTOM)
- 1201678 10 X 1/2 PH PAN HD
(PIPE TO FLUE COLLAR SCREWS)
- 1201376 1/4-20 X 1HEX HD
(RIGHT SIDE, LEFT SIDE, TOPLEGS, SHROUD)
- 1202470 1/4 FLAT WASHER
(BAFFLE, BACK, FRONT, TOP, INNER BOTTOM, GRATE BACK, LEGS)
- 1200482 1/4-20 X 1/2 SOC FL HD
(BRASS NAME PLATE)
- 1200907 1/4-20 X 1 PH RD HD
(FLUE COLLAR)
- 1203329 1/4-20 SQ NUT
(FLUE COLLAR)

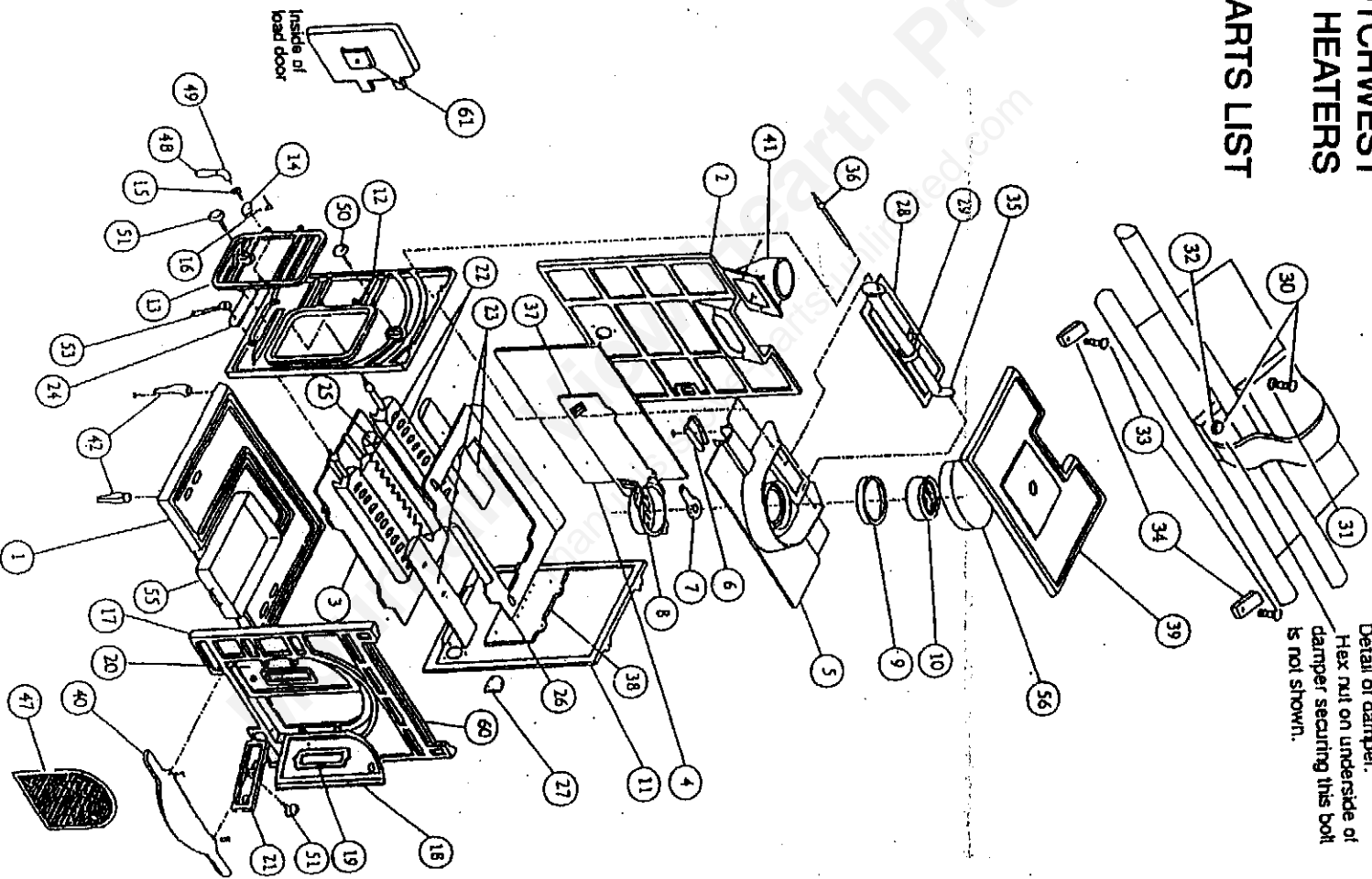
GASKETS AND ACCESSORIES

SEE EXTRA LARGE CONVECTION MODEL #2184 FOR GASKETS AND ACCESSORIES

1990-1993 DUTCHWEST
CONVECTION HEATERS

X-VIEW ANDPARTS LIST

Model:
2183 (Large)



Large Convection Model #2183

MANUFACTURED 1990-1993

DIAGRAM #	ITEM #	PART DESCRIPTION
1	7000978	BOTTOM
2	AA-7000979	BAGK
3	7001014	INNER BOTTOM
4	AA-7000979	INNER-BAGK
	SUBSTITUTE: 7001183 / 7001166 / (2) 1201374	
5	0000004	INNER TOP WITH WEB
6	7000974	INNER TOP CHANNEL CAP
7	7000952	AIR DISTRIBUTOR
8	7000953	BAFFLE
9	0000837	INTERAM GASKET
10	000CB56	CATALYST
11	AA-7000967	RIGHT SIDE
	SUBSTITUTE: 7001217	
12	7000966	LEFT SIDE
13	AA-0009664	LEFT SIDE WITH DOOR
14	7001020	LEFT SIDE DOOR
15	0000836	DOOR LATCH W/SET SCREW & UNTHREADED SHAFT
16	700G809	DOOR SHAFT UNTHREADED
17	1200563	5/16-18 X 5/16 " SS SOC
	7000971	FRONT
18	AA-0009714	FRONT WITH DOORS
19	AA-7001022	RIGHT DOOR
20	7000063	DOOR PANEL
	AA-7001021	LEFT DOOR
21	7001015	ASH DOOR
	7001126	MAY ALSO BE USED BUT HAS NO HOLE FOR DIAL DAMPER
22	7001085	ROCKER GRATE
23	7000710	GRATE COVER
24	7001082	SEAL GRATE
25	7000356	FIXED GRATE - 13-3/4"
26	7000352	GRATE FRAME
27	7000037	FAN PLATE
28	7000954	BYPASS GATE
29	7000950	BYPASS ADJUSTER
30	1201376	1/4-20 X 1 HEX HD
31	1203210	1/4-20 HEX HD NUT
32	1202527	1/4 WASHER
33	1201338	1/4-20 X 1/2 HEX HD
34	1601488	DAMPER TAB
35	7000951	BYPASS GATE CRANK

36	7000976	BYPASS GATE OPERATING ROD
37	7000362	BACK GRATE 21 1/2" WIDE
38	7000968	BALANCE AIR PLATE
	7001198	MAY ALSO BE USED
39	7000972	TOP
40	AA-7000359	HEARTH
41	7000969	FLUE COLLAR
42	7000016	6" LEG (1)
42	7000SL6	6" LEG SET
47	AA-7000G40	FIREGREEN
48	000A902	BRASS HANDLE ASSEMBLY
49	0000842	HANDLE EXTENSION
50	AA-0000849	BRASS-DIAL-SMALL
51	NA	BRASS-DIAL-LARGE
53	NA	SHAKER-GRATE-TOOL
	SUBSTITUTE: 7000348	ASH PAN
55	7000G69	REFRACTORY
56	1602515	SPRING HANDLE
57	70000G3	FRONT BRASS ROD
60	7000977	DOOR AIR DIFFUSER PLATE
61	7000945	

ITEMS NOT SHOWN

1205147	5/32 ALLEN WRENCH
7000044	BRASS NAME PLATE
7001030	GENERAL INSTRUCTIONS
0005840	STOVE BAG KIT
7001107	GLASS
700826F	GLASS FRAME
7000948	THERMOMETER

HARDWARE

1201836	HINGE PIN
0005810	HARDWARE PACKAGE
1601488	DAMPER TAB
1203210	1/4-20 HEX HD NUT (BACK, FRONT, BYPASS ADJUSTER)
1202473	14 FLAT WASHER (BYPASS ADJUSTER)
1201338	1/4-20 X 1/2 HEX HD (DOOR PANEL, DAMPER TAB)

1201322	10-24 X 1/2 HEX HD (FAN PLATE)
1203110	1/4-20 WING NUT (GRATE COVER)
1200815	1/4-20 X 1 1/2 PHIL FL HD (GRATE COVER)
1202527	1/4 WASHER (GRATE COVER)
1200563	5/16-18 X 5/16 " SS SOC (DOOR LATCH)
1204214	1/4-20 X 1 1/2 FUL THD CRS STUD (BACK, FRONT)
1201372	1/4-20 X 5/8 HEX HD (DIFFUSER PLATE)
1201374	1/4-20 X 3/4 HEX HD (BAFFLE, GRATE BACK, BALANCE AIR PLATE)
1201392	1/4-20 X 2 HEX HD (INNER TOP CHANNEL)
1201394	1/4-20 X 3 3/4 HEX HD (INNER BOTTOM)
1201678	10 X 1/2 PH PAN HD (PIPE TO FLUE COLLAR SCREWS)
1201376	1/4-20 X 1 HEX HD (RIGHT SIDE, LEFT SIDE, TOPLEGS, SHROUD)
1202470	1/4 FLAT WASHER (BAFFLE, BACK, FRONT, TOP, INNER BOTTOM, GRATE BACK, LEGS)
1200482	1/4-20 X 1/2 SOC FL HD (BRASS NAME PLATE)
1200907	1/4-20 X 1 PH RD HD (FLUE COLLAR)
1203329	1/4-20 SQ NUT (FLUE COLLAR)

GASKETS AND ACCESSORIES

SEE EXTRA LARGE CONVECTION MODEL # 2184 FOR GASKETS AND ACCESSORIES

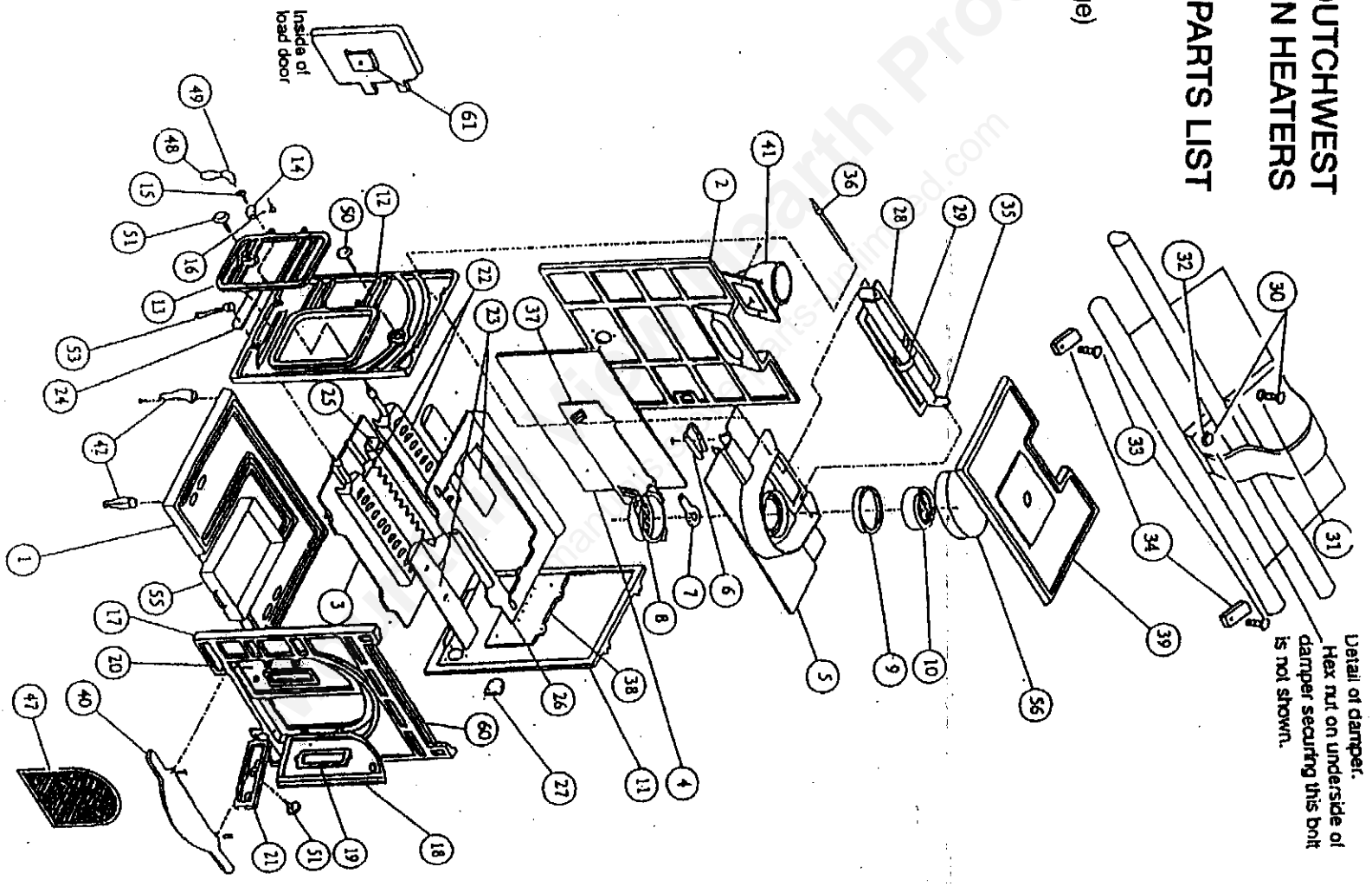


REPLACEMENT PARTS

**1990-1993 DUTCHWEST
CONVECTION HEATERS**

X-VIEW and PARTS LIST

Model:
2184 (Extra-Large)



Extra Large Convection Model #2184

MANUFACTURED 1990-1993

DIAGRAM #	ITEM #	PART DESCRIPTION
1	7000979	BOTTOM
2	7000980	BACK
3	N/A	INNER BOTTOM
4	7000984	INNER BACK
5	0000016	INNER TOP ASS'Y C/W GASKETS, INNERTOP & REFRACTORY
6	7000987	INNER TOP CHANNEL CAP
7	7001003	AIR DISTRIBUTOR HALF
8	7000953	BAFFLE
9	0000837	INTERAM GASKET
10	000CB56	CATALYST
11	NA-7000994	RIGHT SIDE
SUBSTITUTE: 7001218		
12	NA-7000929	LEFT SIDE
SUBSTITUTE: 7001177		
12	NA-0009804	LEFT SIDE WITH DOOR
13	7001025	LEFT SIDE DOOR
14	0000836	DOOR LATCH W/SET SCREW & UNTHREADED DOOR SHAFT
15	700G809	DOOR SHAFT UNTHREADED
16	1200563	5/16-18 X 5/16 " SS SOC
17	NA-7000982	FRONT
17	0009824	FRONT WITH DOORS
18	7001024	RIGHT DOOR
19	7000448	DOOR PANEL GAST
20	7001023	LEFT DOOR
21	NA-7001016	ASH DOOR
SUBSTITUTE: 7001156		
22	7001086	ROCKER GRATE
23	7000569	GRATE COVER
24	7001083	GRATE SEAL
25	7000395	FIXED GRATE
26	NA-7000744	GRATE FRAME
27	7000037	FAN PLATE
28	7000954	BYPASS GATE
29	7000950	BYPASS ADJUSTER
30	1201376	1/4-20 X 1 HEX HD
31	1203210	1/4-20 HEX HD NUT
32	1202527	1/4 WASHER

33	1201338	1/4-20 X 1/2 HEX HD
34	1601488	DAMPER TAB
35	7000951	BYPASS GATE CRANK
36	7000989	BYPASS GATE OPERATING ROD
37	7000396	BACK GRATE
38	7000968	BALANCE AIR PLATE
	7001199	BALANCE AIR PLATE
39	7000985	TOP
40	N/A	HEARTH
41	1304280	FLUE COLLAR
42	7000016	6" LEG (1)
42	7000SL6	6" LEG SET
47	7000G12	FIRESCREEN
48	000902A	BRASS HANDLE ASSEMBLY
49	0000842	HANDLE EXTENSION ASSEMBLY
50	N/A	BRASS-DIAL SMALL
	SUBSTITUTE: 7000521	BRASS-DIAL LARGE
51	N/A	
	SUBSTITUTE: 7000011	SHAKER GRATE TOOL
53	N/A	
	SUBSTITUTE: 7000348	ASH PAN
55	7000G89	REFRACTORY
56	1602515	SPRING HANDLE
57	70000G3	FRONT BRASS ROD
60	7000990	DOOR AIR DIFFUSER PLATE
61	7000945	

ITEMS NOT SHOWN

7000952	AIR DISTRIBUTOR
7000044	BRASS NAME PLATE
7001030	GENERAL INSTRUCTIONS
0005840	STOVE BAG KIT
7001108	LEFT GLASS
7001109	RIGHT GLASS
70028FL	LEFT GLASS FRAME
70028FR	RIGHT GLASS FRAME
7000948	THERMOMETER

HARDWARE

1201836	HINGE PIN
0005810	HARDWARE PACKAGE

1601488	DAMPER TAB
1203210	1/4-20 HEX HD NUT (BACK, FRONT, BYPASS ADJUSTER)
1202473	14 FLAT WASHER (BYPASS ADJUSTER)
1201338	1/4-20 X 1/2 HEX HD (DOOR PANEL, DAMPER TAB)
1201322	10-24 X1/2 HEX HD (FAN PLATE)
1203110	1/4-20 WING NUT (GRATE COVER)
1200815	1/4-20 X 1 1/2 PHIL FL HD (GRATE COVER)
1202527	1/4 WASHER (GRATE COVER)
1200563	5/16-18 X 5/16 " SS SOC (DOOR LATCH)
1204214	1/4-20 X 1 1/2 FUL THD CRS STUD (BACK, FRONT)
1201372	1/4-20 X 5/8 HEX HD (DIFFUSER PLATE)
1201374	1/4-20 X 3/4 HEX HD (BAFFLE, GRATE BACK, BALANCE AIR PLATE)
1201392	1/4-20 X 2 HEX HD (INNER TOP CHANNEL)
1201394	1/4-20 X 3 3/4 HEX HD (INNER BOTTOM)
1201678	10 X 1/2 PH PAN HD (PIPE TO FLUE COLLAR SCREWS)
1201376	1/4-20 X 1HEX HD (RIGHT SIDE, LEFT SIDE, TOPLEGS, SHROUD)



REPLACEMENT PARTS

- 1202470 1/4 FLAT WASHER
(BAFFLE, BACK, FRONT, TOP, INNER BOTTOM, GRATE BACK, LEGS)
- 1200482 1/4-20 X 1/2 SOCC FL HD
(BRASS NAME PLATE)
- 1200907 1/4-20 X 1 PH RD HD
(FLUE COLLAR)
- 1203329 1/4-20 SQ NUT
(FLUE COLLAR)

GASKET SIZE AND LOCATION

PRICES SHOWN ARE PRICED PER FOOT. INTERAM IS PRICE PER PIECE.

- 1203589 3/8" LOW DEN FIBERGLASS GASKET
2.08' INNER TOP ALL MODELS
4.06' TOP SMALL MODEL
4.16' TOP LARGE & EX LARGE MODELS
- 0000837 6' INTERAM GASKET
(CATALYST)
- 7000910 7/16" ROUND GASKET
3.25' SIDE DOOR SMALL & LARGE MODELS
3.83' SIDE DOOR EX LARGE MODEL
7.42' FRONT DOOR SMALL MODEL
8' FRONT DOOR LARGE MODEL
9.25' FRONT DOOR EX LARGE MODEL
- 1203560 1/4" FIBERGLASS GASKET
3' FLUE COLLAR
- 1203661 1/4" WITH WIRE MESH AROUND FIBERGLASS
.6' GRATE SEAL
- 1203556 3/16" FIBERGLASS GASKET
2.5' BALANCE AIR PLATE

GASKET KITS

000GK 99

STOVE GASKET KIT

INCLUDES: 7' -3/8" FIBERGLASS

3- 1/4" FIBERGLASS

5- 3/4" FLAT GASKET

13- 7/16" ROUND GASKET

8- 5/16" FIBERGLASS

2.5- 3/16" FIBERGLASS

3 OZ GASKET CEMENT

INSTRUCTIONS

ACCESSORIES

FAN KIT #9973

7000949

INLET PLATE

1201374

1/4-20 X 3/4 HEX HD CAP SCREW

7000943

INSTRUCTIONS

WARMING SHELF #A521

700521B

BRACKET

GLASS KITS

#822A SMALL CONVECTION A-PLUS.209

7001106

GLASS

700822F

FRAME

7000909

3/4" FLAT GASKET (4' USED)

700GLPI

INSTRUCTIONS

#826A LARGE CONVECTION

7001107

GLASS

700826F

FRAME

7000909

3/4" FLAT GASKET (4' USED)

700GLPI

INSTRUCTIONS

#828A EXTRA LARGE CONVECTION

7001108

LFT GLASS

7001109

RT GLASS

70028FR

RIGHT FRAME

70028FL

LEFT FRAME

7000909

3/4" FLAT GASKET (5' USED)

700GLPI

INSTRUCTIONS



REPLACEMENT PARTS

COAL KIT PARTS

- 7000344 RIGHT GRATE, SMALL, LARGE
- 7000346 LEFT GRATE, SMALL, LARGE
- 7000550 FRONT GRATE
- 7000275 STRAINER
- 7000361 FRONT GRATE, LARGE
- 7000391 LEFT GRATE, EXTRA LARGE
- 7000392 RIGHT GRATE, EXTRA LARGE
- 7000393 FRONT GRATE, EXTRA LARGE

REAR HEAT SHIELDS- FEDERAL MODELS, #'S 1057, 1058, 1059

- 7000114 BRACKET (1)
- 7001076 FAN COVER
- NA ~~FUE-GOZZAR COVER (SM & LG CONV)~~
- 7001078 FLUE COLLAR COVER (EX LG CONV)
- 1201372 1/4-20 X 5/8 HEX HD CAP SCR (10 USED)
- 1203210 HEX NUT (10 USED)
- 7001094 INSTRUCTIONS

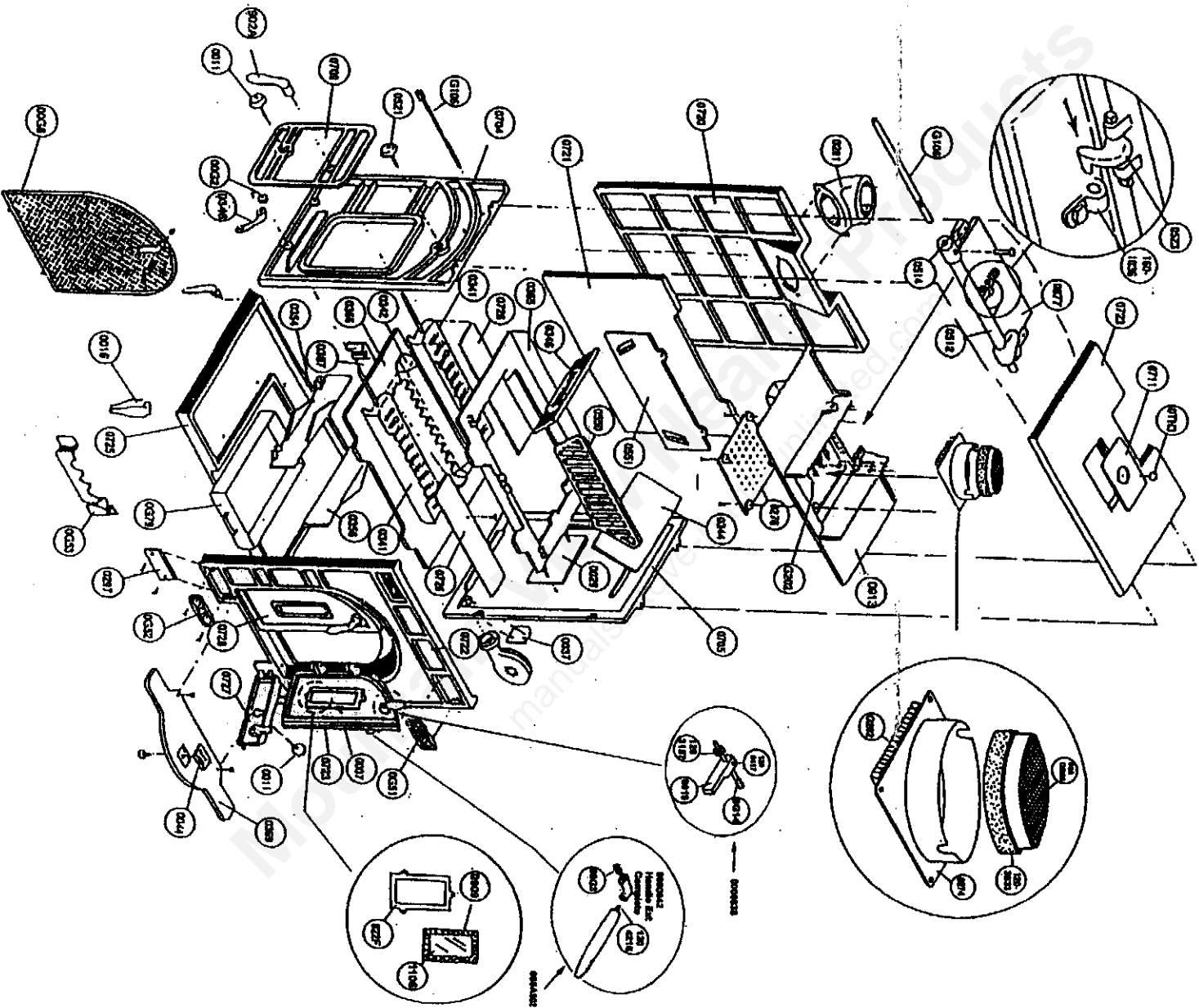
BOTTOM HEAT SHIELDS- FEDERAL MODELS #'S 1074, 1075, 1076

- 7000114 BRACKET
- 1201338 1/4-20 X 1/2" HEX HD CAP SCR (4 USED)
- 1203210 1/4-20 NUT (4 USED)



REPLACEMENT PARTS

SMALL CONVECTION MODEL # 224CCL



Small Convection (224CCL)

ITEM #	PART DESCRIPTION
--------	------------------

CAST PARTS

NA-7000727	ASH DOOR
NA-7000720	BAGK
7000276	BAFFLE
NA-7000725	BOTTOM
7000877	BY-PASS GATE
7000523	BY-PASS GATE CONNECTOR
700512A	BY-PASS GATE CRANK ASSEMBLY
7000514	BY-PASS GATE SIDE SUPPORT
7000274	COMBUSTOR CHAMBER
7000711	COOK TOP
0000838	DOOR LATCH ASS'Y W/SET SCREW AND THREADED DOOR SHAFT
7000007	DOOR PANEL
7000037	FAN PLATE
7000342	FIXED GRATE SECTION (12-1/2")
NA-7000287	FLUE GOLFAR
700822F	FRAME, GLASS
NA-7000722	FRONT
7000550	FRONT GRATE
NA-700722S	FRONT W/DOORS ASSEMBLY
7000365	GRATE
7000551	GRATE BACK
NA-7000015	HANDLE EXTENSION
NA-7000369	HEARTH
NA-7000297	INLET PLATE
NA-7000721	INNER BAGK
NA-7000366	INNER BOTTOM
SUBSTITUTE 7001017	INNER TOP
NA-7000957	FRONT BOTTOM
7000958	MUST USE 2181 DAMPER PARTS
NA-7000919	FRONT DOOR
SUBSTITUTE 0000003	FRONT DOOR
NA-7000728	LEFT SIDE
NA-7000704	LEFT SIDE GRATE
7000346	LEFT SIDE W/DOOR ASSEMBLY
NA-700704S	LEG 6" (1)
7000016	LEG PKG.(4)
7000SL6	REAR PARTITION
NA-7000997	RIGHT DOOR
NA-7000729	RIGHT SIDE
NA-7000705	



REPLACEMENT PARTS

7000344 RIGHT SIDE GRATE
 7000341 ROCKER GRATE
 70000G2 SHAKER GRATE CAP ASSEMBLY
 7000726 SHAKER GRATE COVER
 7000348 SHAKER GRATE TOOL
~~NA-7000709 SIDE DOOR~~
 7000029 SIDE HALF WALL
~~NA-7000954 SIDE PARTITION~~
 7000275 STRAINER
~~NA-7000729 TOP~~

NON-CAST PARTS

7000G46 2-1/8 LG. 2MM ALLEN WRENCH
 N/A 2-3/8 3-MMM ALLEN WRENCH
 700G202 AIR TUBE
 7000G79 ASH PAN

SUBSTITUTE 7000011

~~NA-0000949 BRASS DIAL DAMPER COMBUSTOR~~

SUBSTITUTE 7000521

000A902 BRASS HANDLE ASSEMBLY
 7000044 BRASS NAME PLATE
 700G118 BYPASS GATE OPERATING ROD
 0000TH3 CATALYST PROBE THERMOMETER
 000CB56 CATALYTIC COMBUSTOR
 7000G14 DOOR SHAFT THREADED
 7000G13 DOOR SHAFT INSERT/ NUT
 (not used in current model)

(new) 000C50M

7000G70 FIRESCREEN
 7001106 GLASS
 700822F FRAME
~~NA-7000067 HANDLE SPRING~~
~~NA-7000052 INLET SCREEN~~
~~NA-7000051 OUTLET SCREEN~~
 1601036 TORSION BAR CLIP
~~NA-7000053 WALL BRACKET~~

HARDWARE, GASKETS, & ACCESSORIES

SEE HARDWARE, GASKETS AND ACCESSORIES FOR ALL 88-89 PRODUCT

Large Convection (264CCL & 264CCLR)

Parts used on the right end loader (264R) are listed at the end.
An * shows which parts are different between the two models.

ITEM #	PART DESCRIPTION
--------	------------------

CAST PARTS

AA-7000360	ASH DOOR
AA-7000704	BAGK
AA-7000276	BAFFLE
AA-7000890	BOTTOM PARTITIONS INCLUDED
7000877	BY-PASS GATE
7000523	BY-PASS GATE CONNECTOR
700512A	BY-PASS GATE CRANK
7000514	BY-PASS GATE SIDE SUPPORT
7000274	COMBUSTOR CHAMBER
7000711	COOK TOP
0000838	DOOR LATCH ASSEMBLY CW THREADED DOOR STEM & LATCH
AA-7000969	DOOR PANEL
7000037	FAN PLATE*
7000356	FIXED GRATE SECTION
AA-7000284	FLUE COLLAR
AA-7000709	FRONT
7000361	FRONT GRATE
AA-0007095	FRONT W/DOORS ASSEMBLY
7000362	GRATE BACK
7000352	GRATE FRAME
AA-7000359	HEARTH
AA-7000358	INLET PLATE
AA-7000702	INNER BAGK
AA-7000354	INNER BOTTOM
7000888	INNER TOP CHANNEL*
7000889	INNER TOP*
AA-7000048	LEFT DOOR
7000346	LEFT SIDE GRATE
AA-7000704	LEFT SIDE*
7000016	LEG (1)
7000SL6	LEG PKG. (4)
AA-7000355	REAR PARTITION
AA-7000047	RIGHT DOOR
7000344	RIGHT SIDE GRATE
AA-7000705	RIGHT SIDE*
7000357	ROCKER GRATE

70000G2 SHAKER GRATE CAP ASSEMBLY
 7000710 SHAKER GRATE COVER (11 3/8" LONG)
 0000834 SHAKER GRATE TOOL
 NA-7000709 ~~SIDE DOOR*~~
 7000029 SIDE HALF WALL
 NA-7000354 ~~SIDE PARTITION~~
 7000275 STRAINER
 NA-7000706 TOP

NON-CAST PARTS

7000646 2-1/8 LG. 2MM ALLEN WRENCH
 NA-7000G44 ~~2-3/8-3MM ALLEN WRENCH~~
 700G200 AIR TUBE
 7000G69 ASH PAN

NA-0000949 BRASS BALL DAMPER COMBUSTOR

SUBSTITUTE 7000521

NA-0000944 BRASS BALL DAMPER

SUBSTITUTE 7000011

000A902 BRASS HANDLE ASSEMBLY
 7000044 BRASS NAME PLATE
 700G101 BYPASS GATE OPERATING ROD
 0000TH3 CATALYST PROBE THERMOMETER
~~000CB56 CATALYTIC COMBUSTOR~~
 7000G13 DOOR SHAFT INSERT THREAD REPAIR
 7000G14 DOOR STEM THREADED
 NA-7000G10 FIREGREEN

new # 000456m

700826F FRAME
 7001107 GLASS
 0000842 HANDLE EXTENSION
 70000G3 HANDLE SPRING
 7000114 HEAT SHIELD BRACKET
 7000G50 INLET SCREEN
 7000G45 OUTLET SCREEN
 1601036 TORSION BAR CLIP
 NA-7000G53 WALL BRACKET

RIGHT SIDE DOOR LOADER PARTS (264CCLR)

NA-7000904 INNER TOP
 NA-7000903 INNER TOP CHANNEL (NOT AVAILABLE)
 NA-7000743 LEFT SIDE
 NA-7000744 RIGHT SIDE (NOT AVAILABLE)
 NA-7000745 RIGHT SIDE DOOR
 NA-7000744S RIGHT SIDE WINDOW ASSEMBLY
 NA-7000747 ROCKER GRATE

HARDWARE, GASKETS, & ACCESSORIES

SEE HARDWARE, GASKETS AND ACCESSORIES FOR ALL 88-89 PRODUCT



REPLACEMENT PARTS

Extra-Large Convection (288CCL)

ITEM # PART DESCRIPTION

CAST PARTS

NA-7000745	ASH DOOR
NA-7000754	BAGK
NA-7000759	BAGK COVER PANEL
7000276	BAFFLE
NA-7000748	BOTTOM
7000878	BY-PASS GATE
7000523	BY-PASS GATE CONNECTOR
700568A	BY-PASS GATE CRANK
7000514	BY-PASS GATE SIDE SUPPORT
7000274	COMBUSTOR CHAMBER
7000711	COOK TOP
0000838	DOOR LATCH ASSEMBLY
7000037	FAN PLATE
7000395	FIXED GRATE SECTION
NA-7000400	FLUE COLLAR
NA-7000749	FRONT
7000393	FRONT GRATE
NA-700749S	FRONT W/DOORS-ASSEMBLY
7000396	GRATE BACK
NA-7000744	GRATE FRAME
NA-7000998	HEARTH
NA-7000100	INLET PLATE
NA-7000742	INNER BAGK
NA-7000743	INNER BOTTOM
7000983, 7000984, 7000979	INNER TOP (700-0882 CHANNEL)
7000883	INNER TOP (700-0882 CHANNEL)
NA-7000746	LEFT DOOR
NA-7000447	LEFT DOOR PANEL
NA-7000753	LEFT SIDE
7000391	LEFT SIDE GRATE
NA-0007535	LEFT SIDE W/DOOR-ASSEMBLY
7000016	LEG 6" (1)
7000SL6	LEG PKG.(4)
NA-7000407	REAR PARTITION
NA-7000747	RIGHT DOOR
NA-7000448	RIGHT DOOR PANEL
NA-7000752	RIGHT SIDE
7000392	RIGHT SIDE GRATE
7000394	ROCKER GRATE
70000G2	SHAKER GRATE CAP ASSEMBLY
7000569	SHAKER GRATE COVER

AA-7000349 SHAKER GRATE TOOL
 AA-7000756 SIDE DOOR
 7001025 SIDE DOOR
 0000838 DOOR LATCH
 AA-7000397 SIDE HALF WALL
 AA-7000406 SIDE PARTITION
 7000275 STRAINER
 AA-7000750 TOP

NON-CAST PARTS

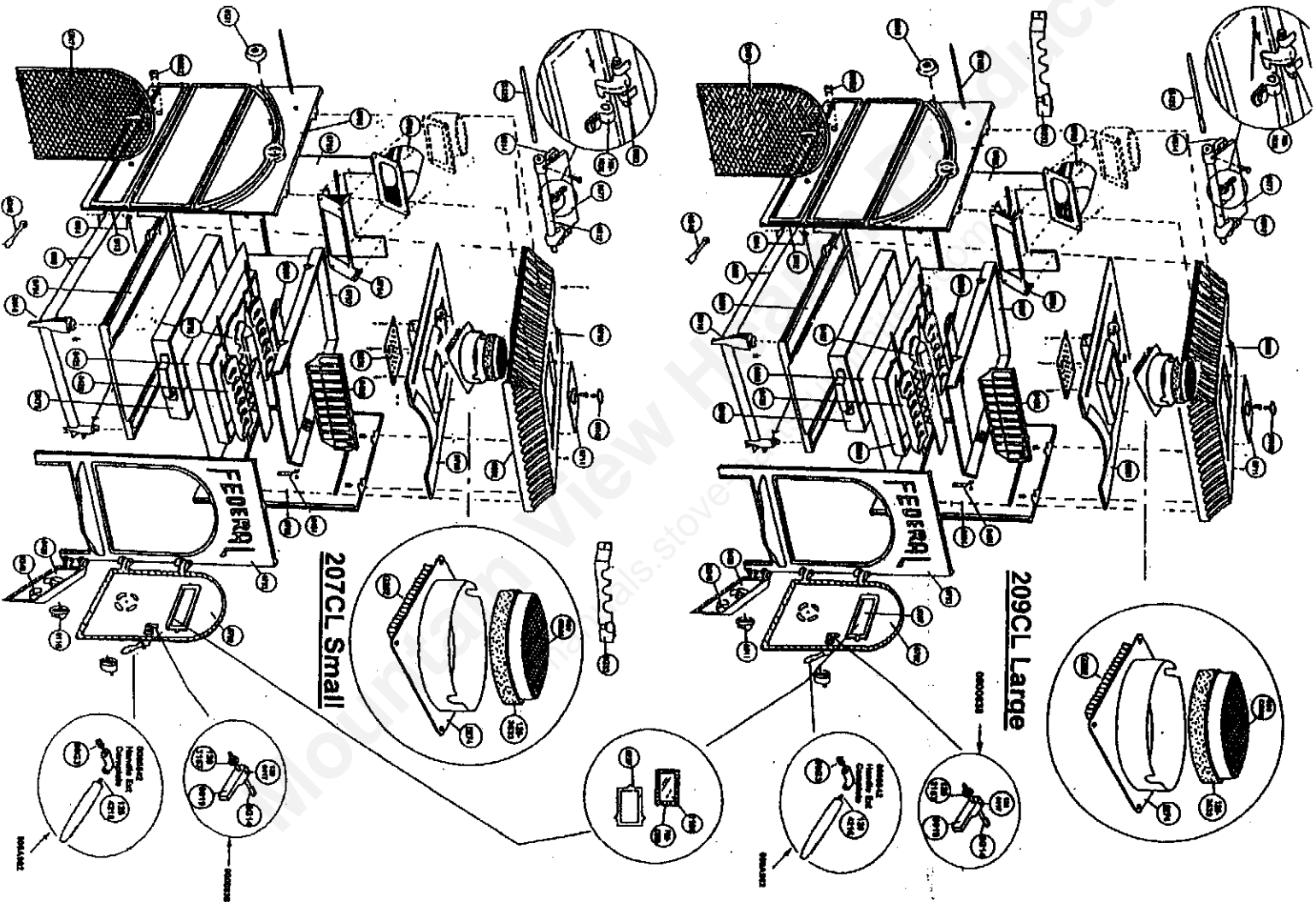
AA-7000653 WALL BRACKET
 7000G50 INLET SCREEN
 7000G45 OUTLET SCREEN
 700G200 AIR TUBE
 1601036 TORSION BAR CLIP
 7000G107 (secures bypass gate)
 7000G13 BYPASS GATE OPERATING ROD
 DOOR SHAFT INSERT
 (not used on current models)
 7000G14 DOOR STEM
 000CB56 CATALYTIC COMBUSTOR
 AA-0000949 BRASS DIAL DAMPER COMBUSTOR
 7000521 BRASS DIAL DAMPER

SUBSTITUTE: AA-0000944 BRASS DIAL DAMPER
 7000011 BRASS HANDLE ASSEMBLY
 000A902 HANDLE EXTENSION
 AA-7000915 HANDLE SPRING
 AA-7000907 BRASS NAME PLATE
 7000044 2-1/8 LG. 2MM ALLEN WRENCH
 7000G46 ASH PAN
 7000G89 2-3/8 3-MM ALLEN WRENCH
 AA-7000G44 LEFT GLASS
 7001108 RIGHT GLASS
 7001109 FRAME RIGHT
 70028FR FRAME LEFT
 70028FL FIRESCREEN
 7000G12 CATALYTIC PROBE THERMOMETER
 0000TH3 HEAT SHIELD BRACKET
 7000114

HARDWARE, GASKETS, & ACCESSORIES

SEE HARDWARE, GASKETS AND ACCESSORIES FOR ALL 88-89 PRODUCT

FEDERAL BOX STOVES MODELS 209CL & 207CL



Federal Box Stove

(Large-209CL, Small-207CL)

ITEM #	PART DESCRIPTION
--------	------------------

CAST PARTS - LARGE BOX STOVE

7000429	ASH DOOR
AA-7000745	BAGK
7000276	BAFFLE
AA-7000784	BOOT-PLATE
AA-7000794	BOTTOM
7000877	BY-PASS GATE
7000523	BY-PASS GATE CONNECTOR
700512A	BY-PASS GATE CRANK
7000514	BY-PASS GATE SIDE SUPPORT
7000274	COMBUSTOR CHAMBER
7000711	COOK TOP
0000838	DOOR LATCH ASSEMBLY
7000007	DOOR PANEL
7000427	FIXED GRATE SECTION (9-1/2" LONG)
AA-7000786	FLUE-GEAR
AA-7000793	FRONT
AA-7000792	FRONT-DOOR
7000430	FRONT GRATE
AA-000793S	FRONT-W/DOOR-ASSEMBLY
7000451	GRATE BRACKET
7000797	GRATE FRAME
AA-7000796	INVER-BOTTOM
AA-7000933	INVER-TOP
AA-7000932	INVER-TOP-CHANNEL
AA-7000786	LEFT-SIDE
7000016	LEG 6" (1)
7000SL6	LEG PKG.(4)
AA-7000785	RIGHT-SIDE
7000428	ROCKER GRATE
70000G2	SHAKER GRATE CAP ASSEMBLY
AA-7000599	SHAKER-GRATE-COVER
AA	SHAKER-GRATE-TOOL
SUBSTITUTE: 7000348	STRAINER
7000275	TOP
7000798	TOP

CAST PARTS- SMALL BOX STOVE

7000429	ASH DOOR
AA-7000795	BAGK
7000276	BAFFLE
AA-7000794	BOGT-PLATE
NA	BOTTOM
7000877	BY-PASS GATE
700512A	BY-PASS GATE CRANK
7000514	BY-PASS GATE SIDE SUPPORT
7000523	BYPASS GATE CONNECTOR
7000274	COMBUSTOR CHAMBER
7000711	COOK TOP
0000838	DOOR LATCH
7000007	DOOR PANEL
7000427	FIXED GRATE SECTION (9-1/2" LONG)
AA-7000780	FLUE COLLAR
AA-7000793	FRONT
AA-7000792	FRONT-DOOR
7000430	FRONT GRATE
AA-000793S	FRONT-W/DOOR-ASSEMBLY
AA-7000697	GRATE-FRAME
7000451	GRATE SIDE SUPPORT
AA-7000698	INNER-BOTTOM
AA-7000934	INNER-TOP
AA-7000930	INNER-TOP-CHANNEL
AA-7000693	LEFT-SIDE
7000016	LEG 6"(1)
7000SL6	LEG PKG.(4)
AA-7000694	RIGHT-SIDE
7000428	ROCKER GRATE
70000G2	SHAKER GRATE CAP ASSEMBLY
AA-7000590	SHAKER-GRATE-COVER
AA	SHAKER-GRATE-TOOL
7000275	STRAINER
AA-7000696	TOP

Mountain View
manuals.stove-parts-unlimited.com

NON CAST PARTS

NA-7000G659	WALL BRACKET
700G200	AIR TUBE
1601036	TORSION BAR CLIP
700G125	(used to hold bypass gate)
7000G13	BYPASS GATE OPERATING ROD
7000G14	DOOR SHAFT INSERT
000CB56	DOOR STEM
NA-0000949	CATALYTIC COMBUSTOR
	BRASS-DIAL DAMPER-GOMBUSTOR
	7000521

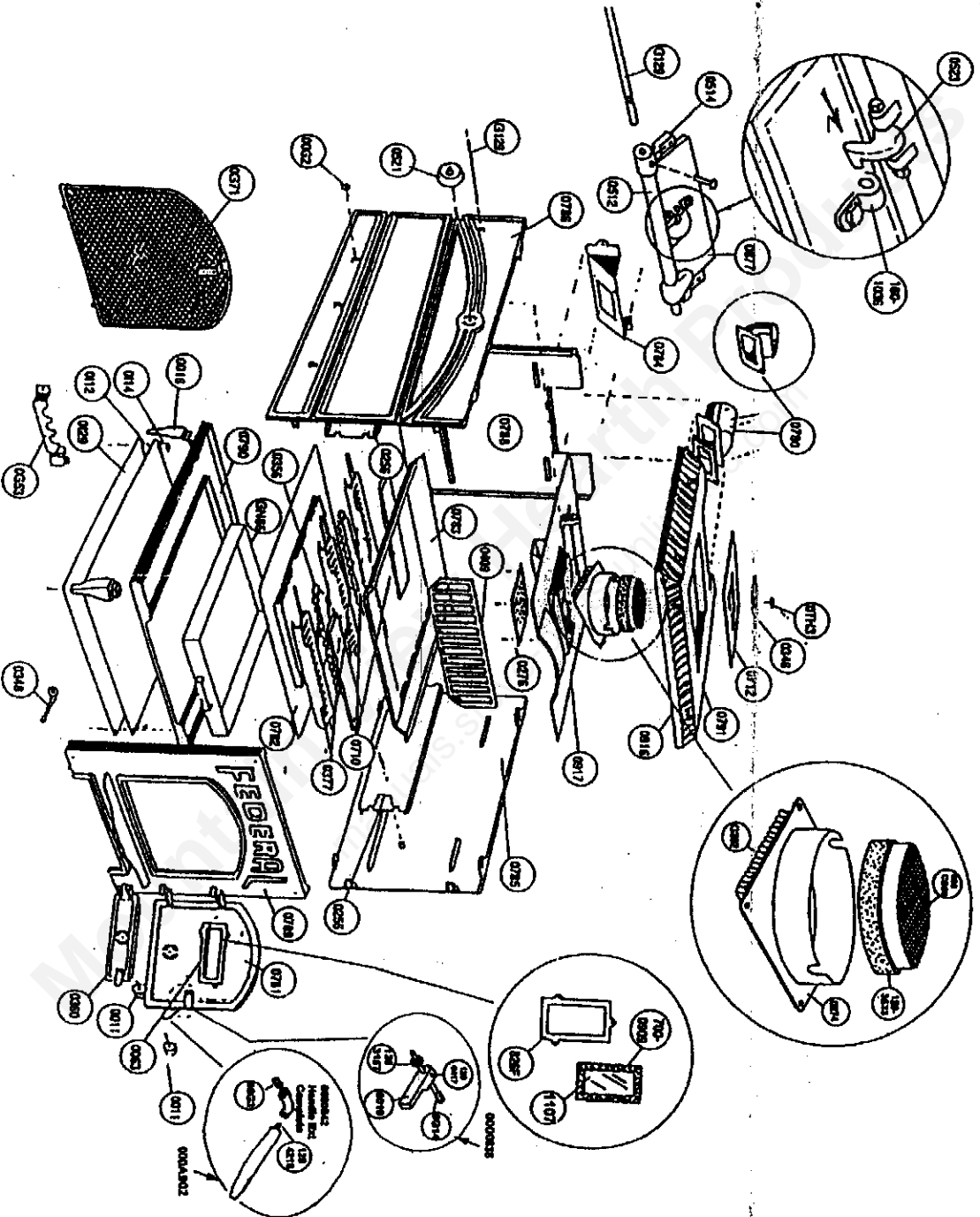
SUBSTITUTE: NA-0000944
BRASS-DIAL DAMPER
7000011

000A902	BRASS HANDLE ASSEMBLY
0000842	HANDLE EXTENSION
70000G3	HANDLE SPRING
7000G46	2-1/8 LG 2 MM ALLEN WRENCH
NA-7000GN66	ASH PAN - SMALL
NA-7000GN76	ASH PAN - LARGE
NA-7000G44	2-3/8 3MM ALLEN WRENCH
7001106	GLASS 3-1/2" x 7-1/2"
700822F	FRAME
NA-7000GN74	FIREGREEN
7000119	HEAT SHIELD
7000114	HEAT SHIELD BRACKET
7000112	HEAT SHIELD SPACER
0000TH3	CATALYTIC PROBE THERMOMETER

HARDWARE, GASKETS, & ACCESSORIES

SEE HARDWARE, GASKETS AND ACCESSORIES FOR ALL 88-89 PRODUCT

ROCKY MOUNTAIN MODEL # 211C



Rocky Mountain (211C)

ITEM #	PART DESCRIPTION
--------	------------------

CAST PARTS

NA-7000360	ASH DOOR
NA-7000788	BAGK
7000276	BAFFLE
NA-7000784	BOOT PLATE
NA-7000799	BOTTOM
7000877	BYPASS GATE
7000523	BYPASS GATE CONNECTOR
700512A	BYPASS GATE CRANK
7000514	BYPASS GATE SIDE SUPPORT
7000274	COMBUSTOR CHAMBER
7000711	COOK TOP
0000838	DOOR LATCH
NA-7000063	DOOR PANEL
7000356	FIXED GRATE SECTION 13-3/4"
NA-7000780	FLUE COLLAR
NA-7000789	FRONT
NA-7000781	FRONT DOOR
7000409	FRONT GRATE
NA-000789S	FRONT W/DOOR ASSEMBLY
NA-7000783	GRATE FRAME
NA-7000782	INNER BOTTOM
NA-7000917	INNER TOP
NA-7000916	INNER TOP CHANNEL
NA-7000786	LEFT SIDE
7000016	LEG 6" (1)
7000SL6	LEG PKG. (4)
NA-7000785	RIGHT SIDE
7000377	ROCKER GRATE
70000G2	SHAKER GRATE CAP ASSEMBLY
7000710	SHAKER GRATE COVER
NA	SHAKER GRATE TOOL
SUBSTITUTE: 7000348	
NA-7000256	SIDE HALF WALL
7000275	STRAINER
NA	TOP



REPLACEMENT PARTS

NON-CAST PARTS

NA 7000G53	WALL BRACKET
700G200	AIR TUBE
1601036	TORSION BAR CLIP
700G129	BYPASS GATE OPERATING ROD
7000G13	DOOR SHAFT INSERT
7000G14	DOOR STEM
000CB56	CATALYTIC COMBUSTOR
NA 0000843	BRASS-BIAL DAMPER-COMBUSTOR
SUBSTITUTE: 70000521	
NA 0000844	BRASS-BIAL DAMPER
SUBSTITUTE: 7000011	
000A902	BRASS HANDLE ASSEMBLY
0000842	HANDLE EXTENSION
7000G3	HANDLE SPRING
7000G46	2-1/8 LG. 2MM ALLEN WRENCH
NA 700GN86	ASH PAN
NA 7000G44	2-3/8 3MM ALLEN WRENCH
7001107	GLASS
700826F	FRAME
NA 700GN71	FRESHSCREEN
NA 7000I29	HEAT SHIELD
7000I14	HEAT SHIELD BRACKET
7000I12	HEAT SHIELD SPACER
0000TH3	CATALYTIC PROBE THERMOMETER

HARDWARE, GASKETS, & ACCESSORIES

SEE HARDWARE, GASKETS AND ACCESSORIES FOR ALL 88-89 PRODUCT