

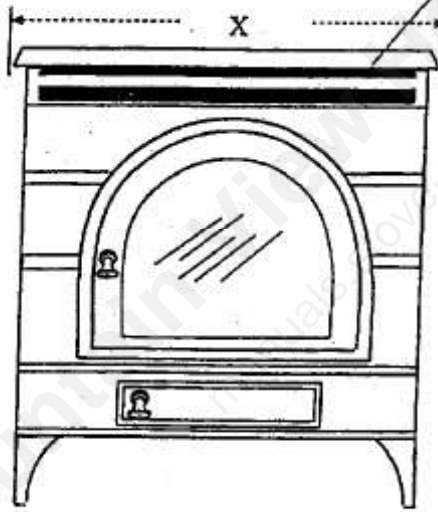


# Identification guide for 1984 - 1997 Dutchwest Stoves

There is a wide variety of Dutchwest stoves. This guide will help you identify stoves built between 1984-1997. Sometimes two or three model numbers appear on the identification plate; the model number for a stove may not be checked off. To start on identifying a stove, measure across the top plate, including where it overhangs the sides. Then, compare features with this guide to determine which stove you have. Note that measurements are approximate.

## 1990 - 1993 and 1993 + Dutchwest Convection Stoves

The convection air outlet is a horizontal slot with a brass bar.



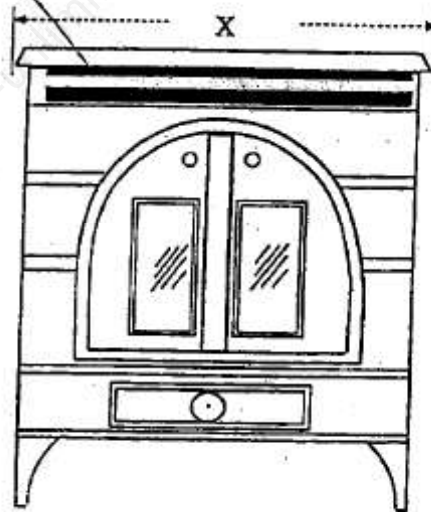
**1993 - units**

Single main front door

If X = 22", stove is model 2460 (small convection)

If X = 26", stove is model 2461 (large convection)

If X = 28", stove is model 2462 (extra-large convection)



**1990 - 1993 units**

Two front doors, side by side

If X = 22", stove is model 2181 (small convection)

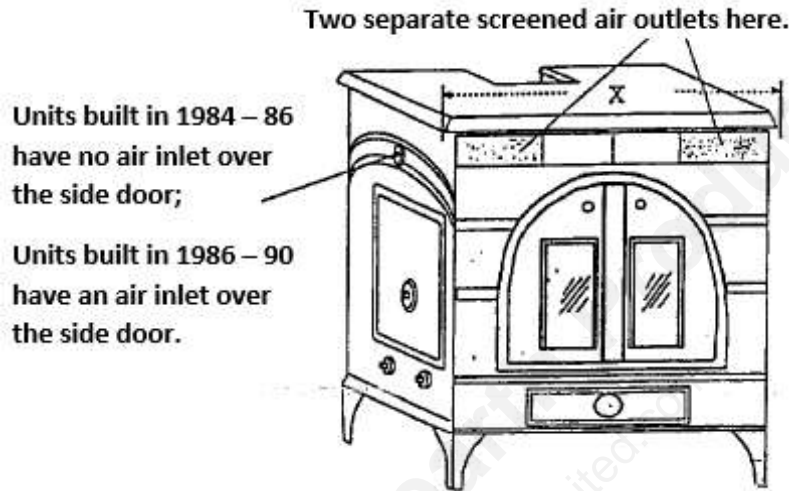
If X = 26", stove is model 2183 (large convection)

If X = 28", stove is model 2184 (extra-large convection) The extra-large has arched windows



# Identification guide for 1984 - 1997 Dutchwest Stoves

## 1984 - 1986 and 1986 - 1990 Dutchwest Convection Stoves



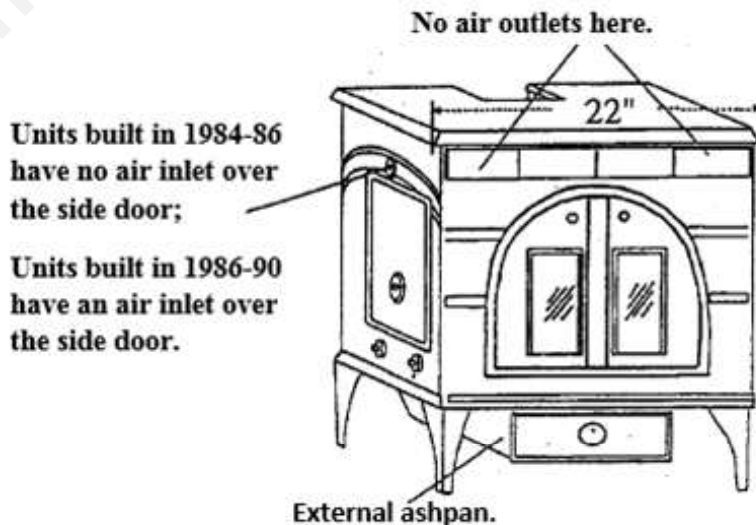
If X = 22", stove is model FA224CCL (small convection)

If X = 26", stove is model FA264CCL (large convection)

If X = 26" and side load door is on the right-hand side (facing the stove), stove is model FA264CCL-R

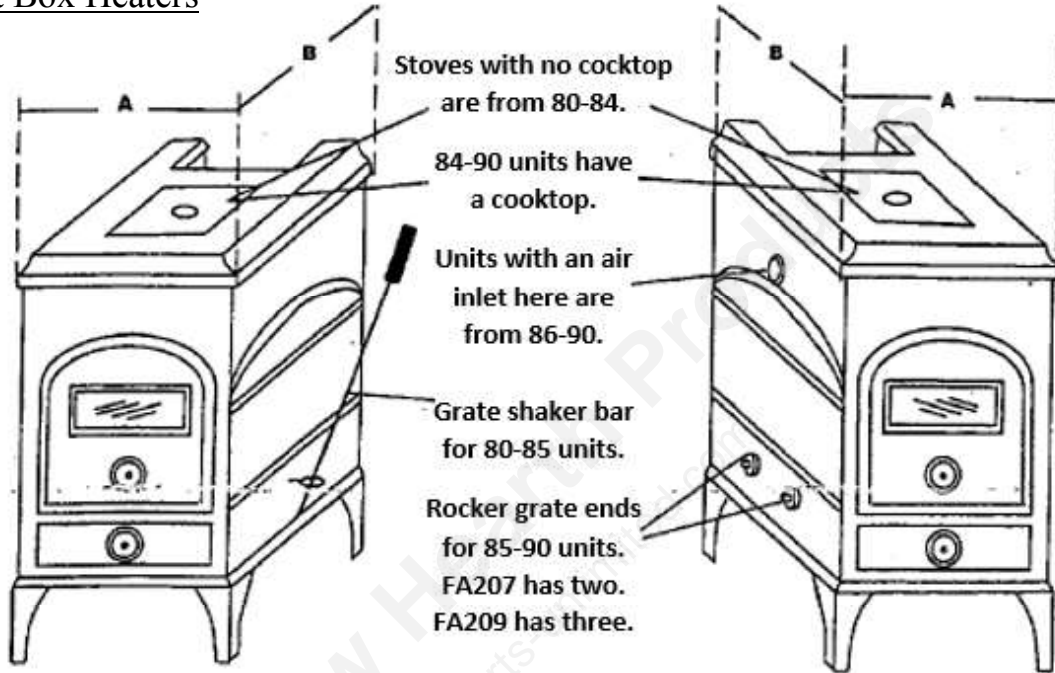
If X = 28", stove is model FA288CCL (extra-large convection). 1985-90 versions of model FA288CCL have arched windows.

## FA224ACL 'A-Plus' Stove



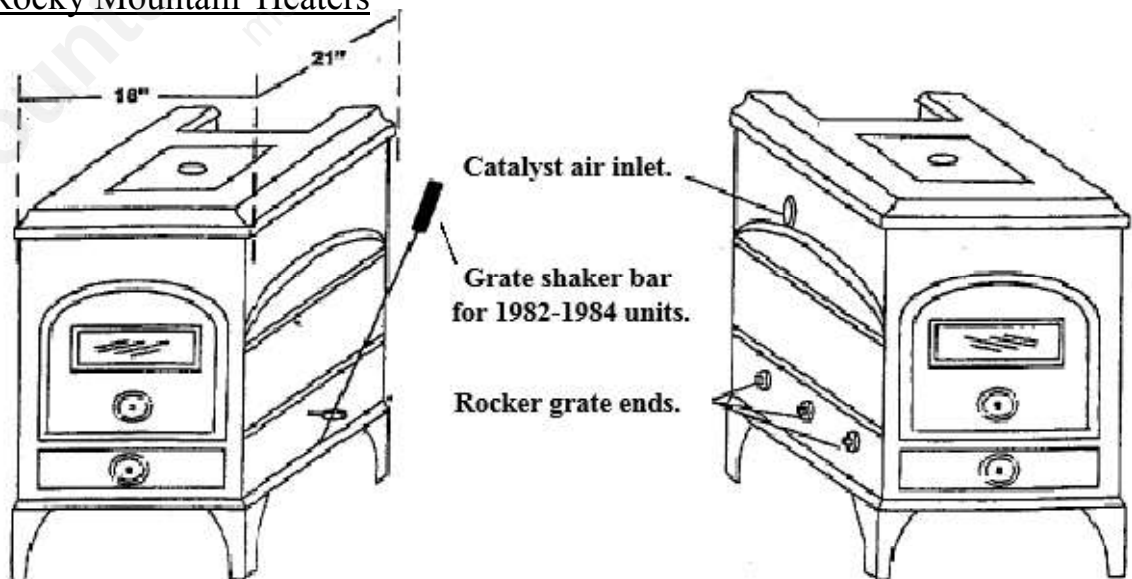
# Identification guide for 1984 - 1997 Dutchwest Stoves

## Dutchwest Box Heaters



If A = 13" and B = 16", the stove is an FA207 series unit.  
 If A = 13" and B = 21", the stove is an FA209 series unit.

## FA211 'Rocky Mountain' Heaters

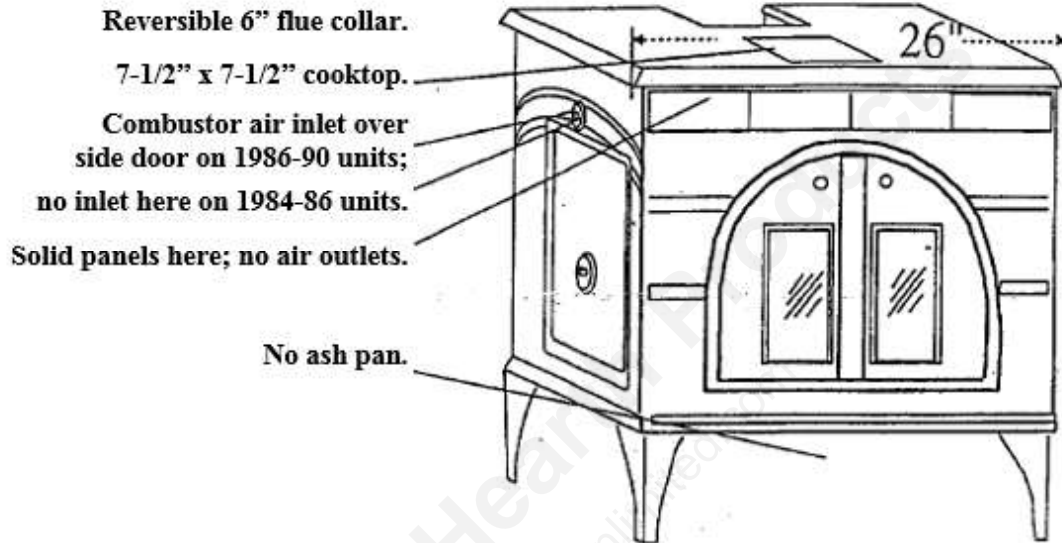


Units with a shaker bar, and no catalyst air inlet are from 82-84.  
 Units with rockers and no catalyst air inlet are from 84-86.  
 Units with rockers and a catalyst air inlet are from 86-90.

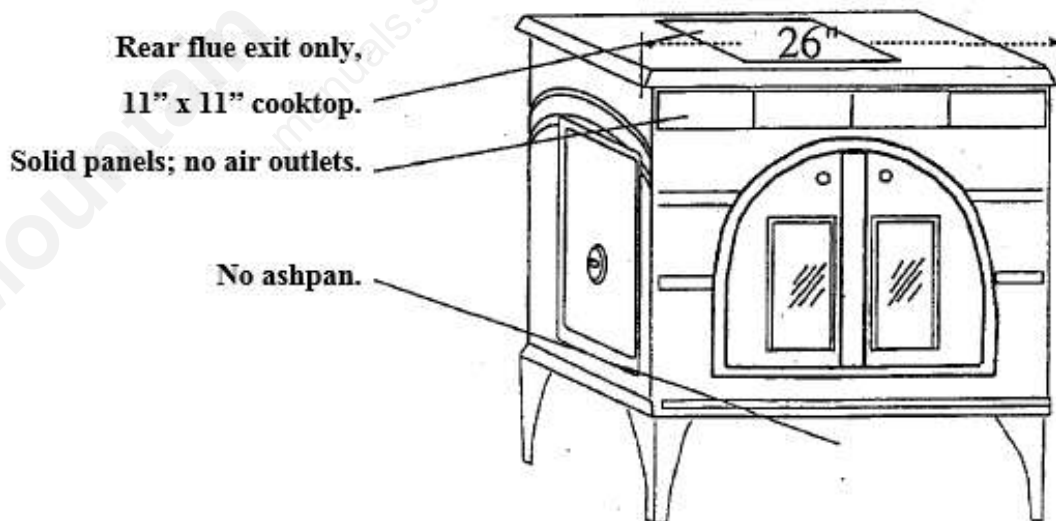


# Identification guide for 1984 - 1997 Dutchwest Stoves

## Catalytic FA267CL 'Adirondack' stove



## Non-catalytic FA267L 'Adirondack' stove (built 1982-84)





## Federal Airtight 209CL Large & 207CL Small

---

Ending Manufacturing Date: 1988

Beginning Manufacturing Date: 1980

### Federal Box Stove Model/Manufacturer Date Info

**FA207L** Small Box Heater manufactured in 1980-84 - Model has no catalyst, bypass gate or cooktop. Has one slider grate w/left side vertical shaker bar. All parts not listed same as 207CL 84-85.

**FA207CL** Small Box Heater manufactured in 1984-85 - Model has catalyst, bypass system, shaker grate w/left vertical shaker bar and reversible flue collar. Has no tertiary air or boot plate. All parts not listed same as 207CL 85 – 88.

**FA207CL** Small Box Heater manufactured in 1985-86 - Model has catalyst, bypass system, boot plate and no tertiary air. All parts not listed same as 207CL 86-88.

**FA207CL** Small Box Heater manufactured in 1986-88 - Model produced when VC purchased CDW. All parts listed same as 89 prod. Has catalyst, tertiary air, lock bypass system, cooktop and boot plate.

**FA209L** Large Box Heater manufactured in 1980-84 - Model has no catalyst, bypass gate or cooktop. Has one slider grate w/left side vertical shaker bar. All parts not listed same as 209CL 84-85.

**FA209CL** Large Box Heater manufactured in 1984-85 - Model has catalyst, bypass system, shaker grate w/left vertical shaker bar and reversible flue collar. Has no tertiary air or boot plate. All parts not listed same as 209CL 85 – 88

**FA209CL** Large Box Heater manufactured in 1985-86 - Model has catalyst, bypass system, cooktop and boot plate and no tertiary air. All parts not listed same as 209CL 86-88

**FA209CL** Large Box Heater manufactured in 1986-88 - All parts listed same as 89 prod. Has catalyst, tertiary air, lock bypass system, cooktop and boot plate.