

## Bottom Heat Shield - Installation Instructions for use on the Encore Flexburn

VERMONT  
CASTINGS

### Install the Bottom Heat Shield

**NOTE:** The Bottom Heat Shield is required in most installations.

1. Removed the (4) hex head bolts from the shipping brackets and install into the (4) posts located at the bottom of the unit. Figure 1

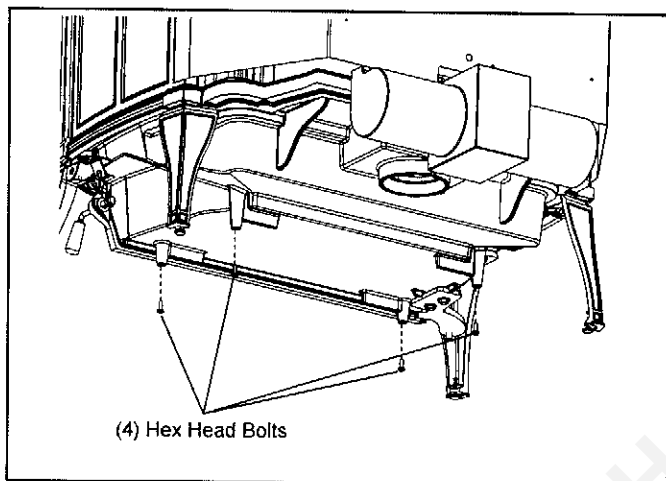


Figure 1

2. Pass all four bolts through the large end of the keyholes and then pulling the shield forward to engage the smaller ends of the keyhole slots. The outside air cutout hole should be toward the rear of the stove. Figure 2

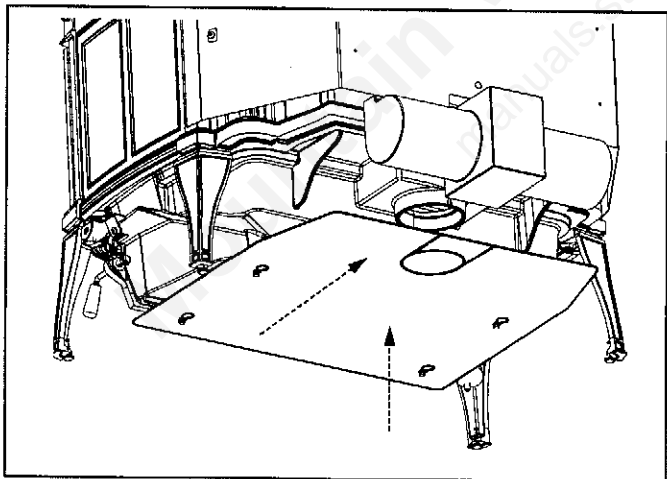


Figure 2

3. Attach the heat shield sides by passing the slots over the bolt heads. Tighten the hex head bolts. Figure 3

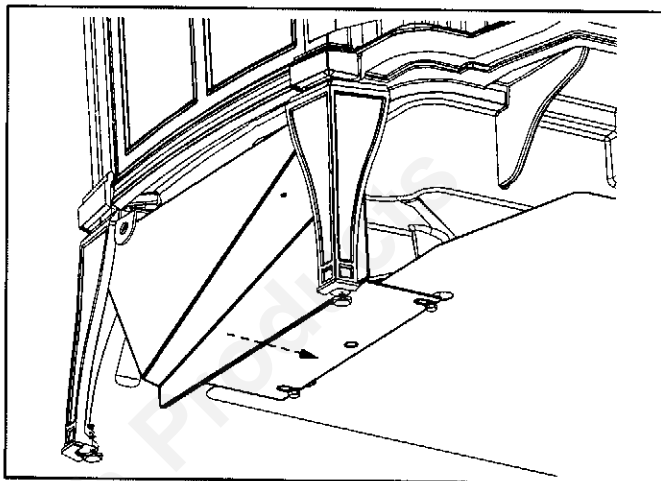


Figure 3

4. Insert #10 screw through right side shield into the handle bracket to secure side. **Note:** Opposite shield does not get secured to anything. Figure 4

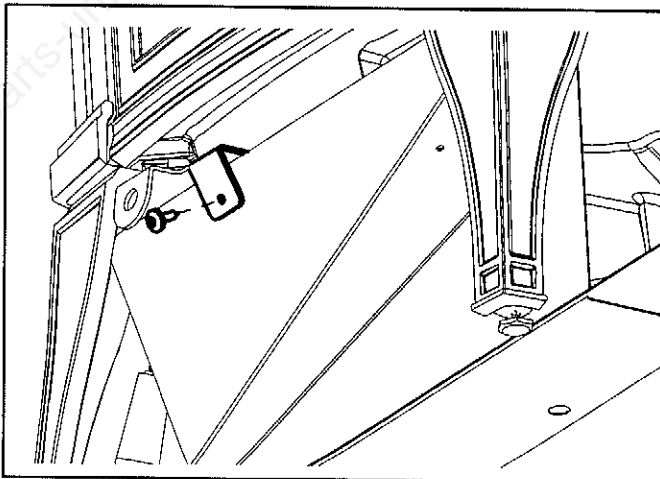


Figure 3