

Refractory Gasket Replacement Kit

Installation Instructions: For use on Everburn

Models: EWF30, 2477, 2478, 2479, 1610, 1450



Read these instructions thoroughly before beginning installation.



CAUTION

Allow the unit to cool completely if it has been in operation.
Remove all ash and charcoal.

Tools required: Scraper or putty knife.

Kit contents: Shoe gasket, 1/2" x 15" Soft refractory gasket, Glue Stick.

Stove Unit Preparation

Before beginning the refractory gasket replacement, remove the old gasketing on the inside surface of the fountain assembly and the bottom of the shoe refractory using a putty knife or scraper.



CAUTION

The fountain assembly is very fragile. Care should be taken to avoid damaging the surface and walls when removing the old gasket.

Installation

1. Apply a layer of glue, using the glue stick, along the inside surface of the fountain assembly. Install the soft refractory gasket onto that surface. (Figure 1)
2. Apply a layer of glue, using the glue stick, to the bottom surface of the shoe refractory. Install the shoe gasket onto that surface. (Figure 2)
3. Reinstall the shoe refractory into the fountain assembly as shown in Figure 3.
4. Carefully reinstall refractory firebacks, retainers and any other items that may have been removed to their original positions.

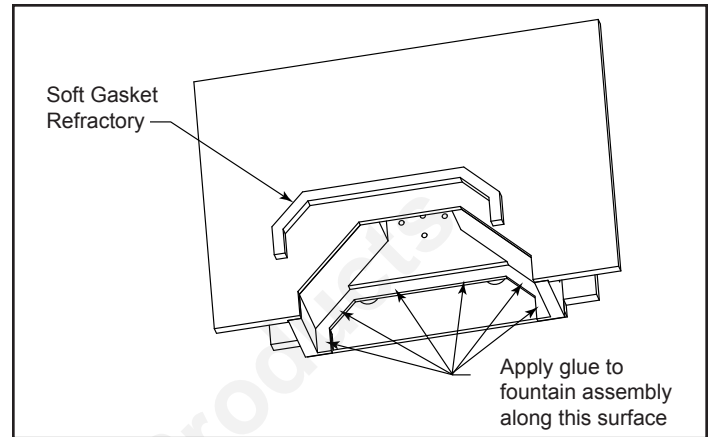
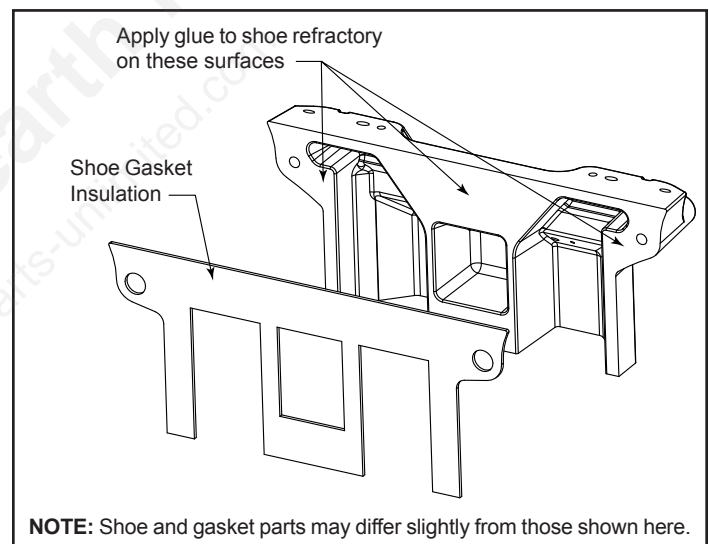


Figure 1 - Fountain assembly glue application.



NOTE: Shoe and gasket parts may differ slightly from those shown here.

Figure 2 - Shoe refractory glue application.

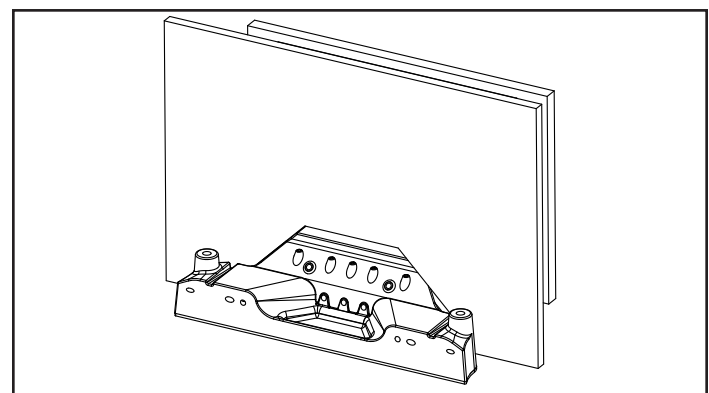


Figure 3 - Shoe refractory insert application.