

Fan Kit #2767/FK26 - Installation Instructions
for Radiance, Stardance, Dutchwest & Oxford Gas Heaters and
Defiant NC, Dutchwest NC and Encore NC Wood Stoves

VERMONT
CASTINGS



Please read these instructions before proceeding with installation.

Kit contents

- Fan Assembly with Rheostat and Snapstat
- Fan Mounting Bracket for RVF33
- Snapstat Mounting Bracket
- 1/4 - 20 x 3/4" hex head screws, (4)
- 1/4 - 20 hex nuts, (2)
- 1/4" Star Washers, (2)
- #8 Star Washer, (1)
- #10 Sheet Metal Screws, (2)
- Retaining Nut (1)
- Control Knob
- Wire Tie

Tools Needed

- Flat blade screwdriver
- Work gloves
- Phillips screwdriver

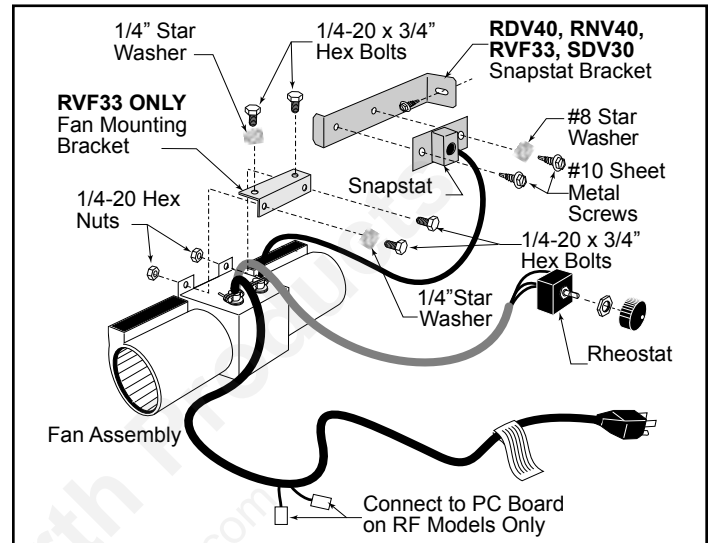
It is easiest to install the fan before the stove is connected to the gas supply line. Compare the contents of the fan kit with the list above and Figure 1 to confirm that you have all of the parts.

WARNING

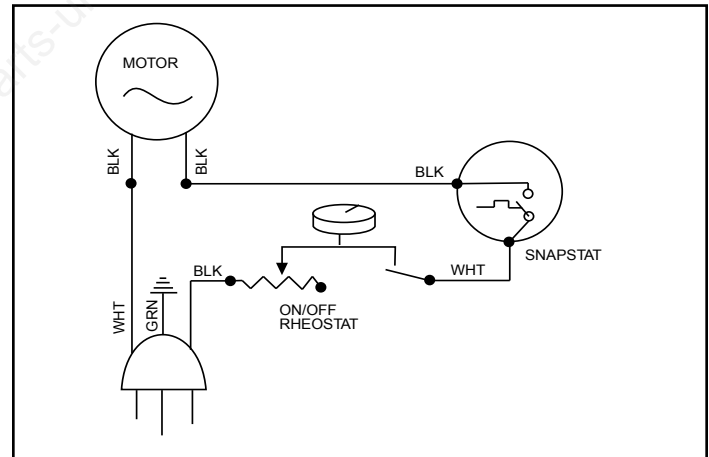
Avoid any drafts that alter burner flame patterns. Do not allow fans to blow directly into the fireplace.

This optional fan kit is equipped with a three-pronged (grounding) plug for your protection against shock hazard and should be plugged directly into a properly grounded three-pronged receptacle. Do not cut or remove the grounding prong from this plug.

Fan Kit contents.



This kit fits several different stoves; follow the procedures for your specific stove. Match these instructions to the model name and/or number on the stove's instructions or nameplate.



#2767 / FK26 Fan wiring diagram.

Table of Contents

Radiance

Direct Vent

RADVT 2

RDV40..... 2

RDVOD 3

Natural Vent

RNV40..... 5

RNVOD

(Serial #'s up to 1456 (RNVODRN), 1944 (RNVODRP) 6

(Serial #'s starting at 1457 (RNVODRN), 1945 (RNVODRP).....7

Vent Free

RVF33 4

RUVS40 9

RUVSOD..... 10

Stardance

Direct Vent

SDDVT 12

SDV30..... 13

SDV30R 14

Natural Vent

SNV30 (Drop-in Burner)..... 15

SNV30 Models 3074, 3075

(Serial #'s up 5250(SNV30RN), 5483 (SNV30RP)..... 16

(Serial #'s starting at 5251 (SNV30RN), 5484 (SNV30RP)..... 17

Dutchwest Direct Vent/Natural Vent 19

Oxford Direct Vent/Natural Vent 19

Dutchwest Natural Vent..... 19

Defiant NC 21

Dutchwest NC 21

Encore NC 21

Radiance Direct Vent - RADVT

1. Remove the rear shroud panel (Figure 6) and fasten the blower assembly to the firebox back with the two bolts provided. (Figure 7)
2. Attach the snapstat assembly to the snapstat bracket with two sheet metal screws. Attach the snapstat bracket to the side shield. (Figure 7)
3. The rheostat control switch attaches to the left side of the valve bracket at the front of the stove. (Figure 1)

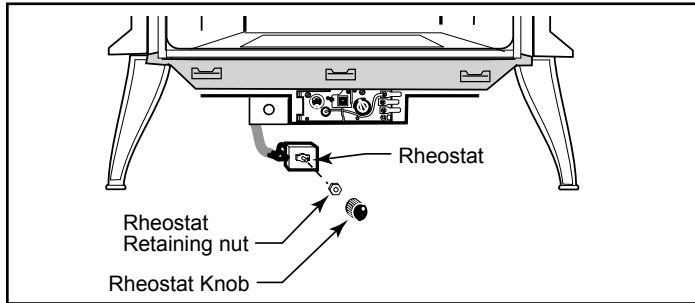


Figure 1 - Attach the fan rheostat.

- Remove retaining nut from shaft of rheostat. (if preinstalled)
- Insert the rheostat through the hole in the back of the left side of the valve bracket, aligning the locator pin with the smaller hole in that bracket.
- Thread the retaining nut onto the shaft of the rheostat, tightening with a wrench. Do not overtighten.
- Attach the control knob to the rheostat shaft.
- Use the wire tie to secure the fan and rheostat wire harnesses together.

RDV40

1. Remove the Rear Shroud. Use work gloves to protect against sharp edges. Loosen the two (2) screws on each side just enough to disengage the shroud panel from the sides of the stove. (Figure 2)
2. Remove the switch box (Figure 2)
 - Remove the sheet metal screw from the left side (as you face the rear of the stove) of the switch box.
 - Remove the phillips screw and washer from the right side of the switch box.
 - Remove the hole plug from the switch box.

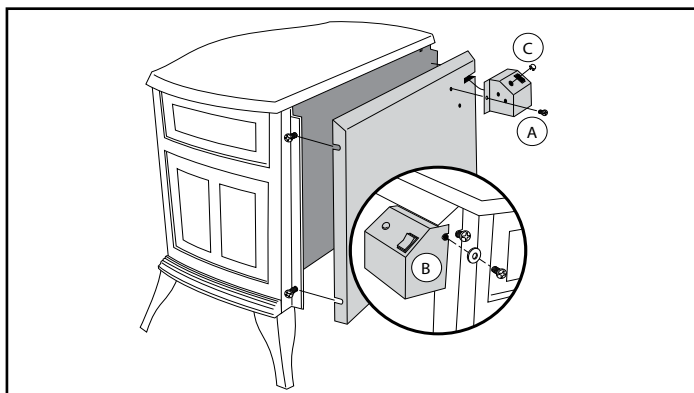


Figure 2 - Remove rear shroud and switch box.

3. Secure the fan assembly to the bottom plate with two (2) 1/4 - 20 x 3/4" hex head screws and one (1) 1/4" star washer. (Figure 3)

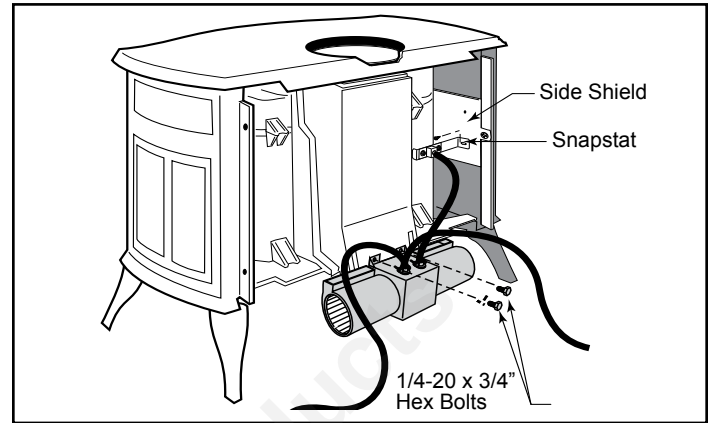


Figure 3 - Attach fan assembly.

4. Attach snapstat to the snapstat bracket using two (2) sheet metal screws and one (1) #8 star washer as shown on Page 1.

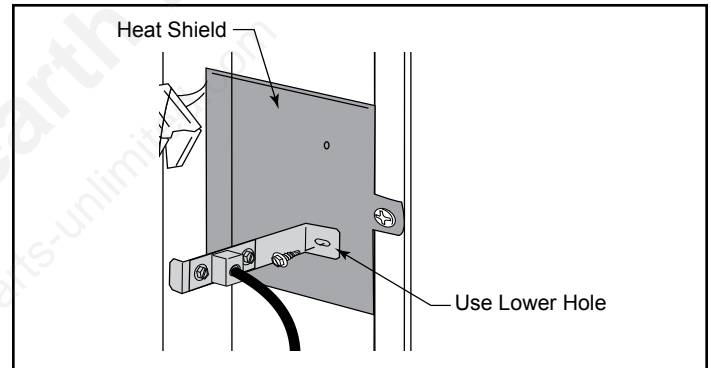


Figure 4 - Attach snapstat bracket.

- Attach the snapstat bracket to one of the side heat shields. (Figure 5) Choose the side from which the snapstat wire harness exits the fan motor housing. It may be easiest to first temporarily remove the shield from the side of the stove before attaching the bracket.
5. Install the Rheostat into the switch box. Feed the fan rheostat wire harness through the cut out in the rear shroud. Insert the rheostat control shaft through the switch box hole while aligning the locator pin with the smaller hole. Install the retaining nut and knob onto the control shaft. (Figure 5)
 6. Reinstall the Switch box on the rear shroud using the original screw(s). Be sure the wire harness runs down the inside face of the shroud panel.
 7. Do not reinstall the rear shroud until the starter vent pipe has been installed on the stove. Refer to Homeowners Manual for details.

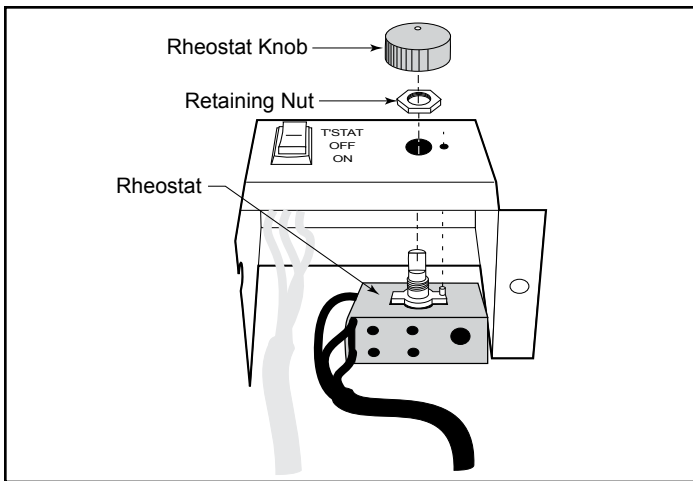


Figure 5 - Install rheostat into switch box.

RDVOD

1. Remove the rear shroud panel (Figure 6) and fasten the blower assembly to the firebox back with the two (2) bolts provided. (Figure 7)

NOTE: Steps 2 and 3 do not apply when the RF valve is used. After attaching blower assembly to the firebox, run the spliced female leads to the front of the stove and attach to back of Honeywell RF Comfort valve. (Figure 8)

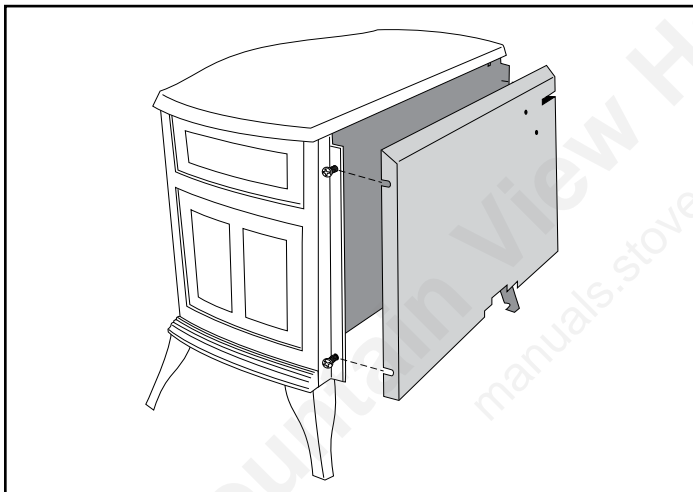


Figure 6 - Remove rear shroud panel.

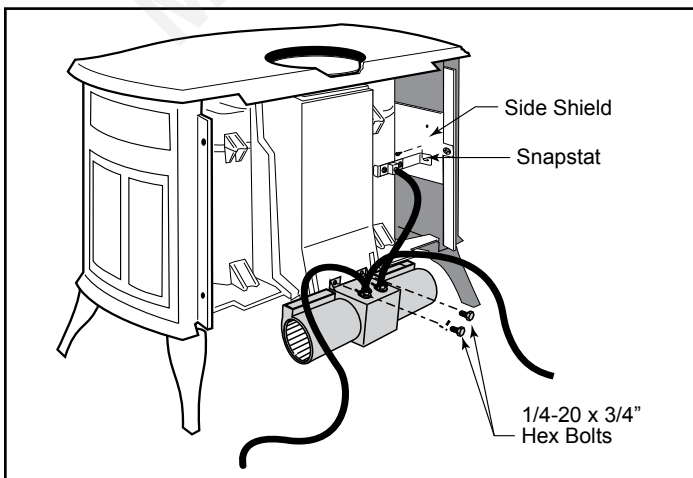


Figure 7 - Attach fan assembly.

2. Attach the snapstat assembly to the snapstat bracket with two (2) sheet metal screws. Attach the snapstat bracket to the side shield. (Figure 7)
3. The rheostat control switch attaches to the left side of the valve bracket at the front of the stove. (Figure 9)
 - Remove retaining nut from shaft of rheostat. (if preinstalled)

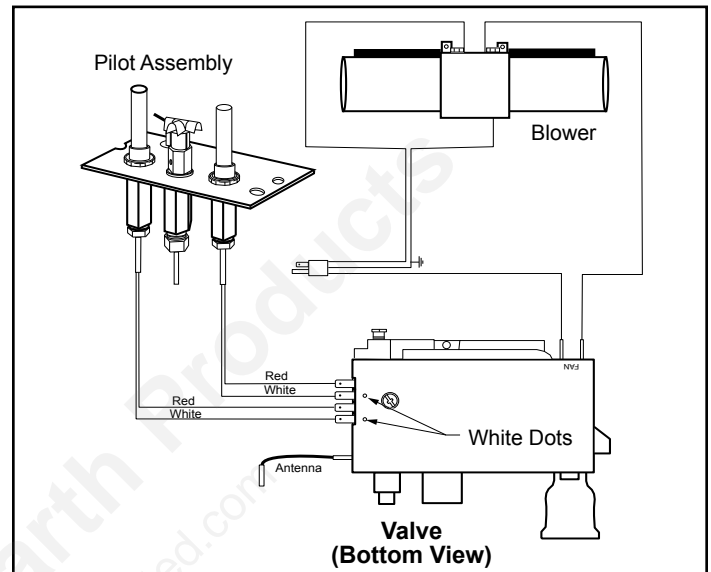


Figure 8 - FK26 is wired to back of Comfort Valve.

- Insert the rheostat through the hole in the back of the left side of the valve bracket, aligning the locator pin with the smaller hole in that bracket.
- Thread the retaining nut onto the shaft of the rheostat, tightening with a wrench. Do not overtighten.
- Attach the control knob to the rheostat shaft.
- Use the wire tie to secure the fan and rheostat wire harnesses together.

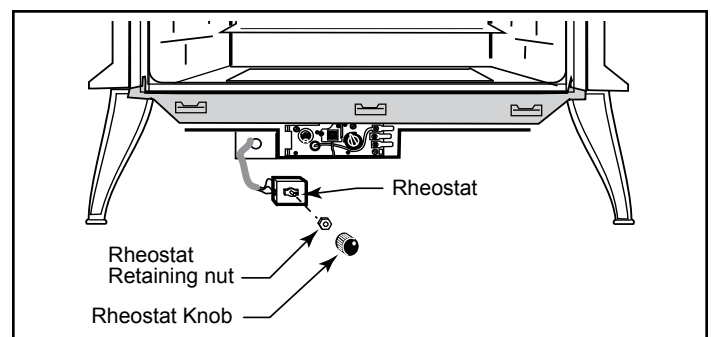


Figure 9 - Attach fan rheostat.

RVF33

1. Remove the rear shroud. Use work gloves to protect against sharp edges. Loosen the two (2) screws on each side just enough to disengage the shroud panel from the sides of the stove. (Figure 10)
2. Remove the switch box. (Figure 10)
 - Remove the sheet metal screw and washer from the left side (as you face the rear of the stove) of the switch box.
 - Remove the phillips screw and washer from the right side of the switch box.
 - Remove the hole plug from the switch box.

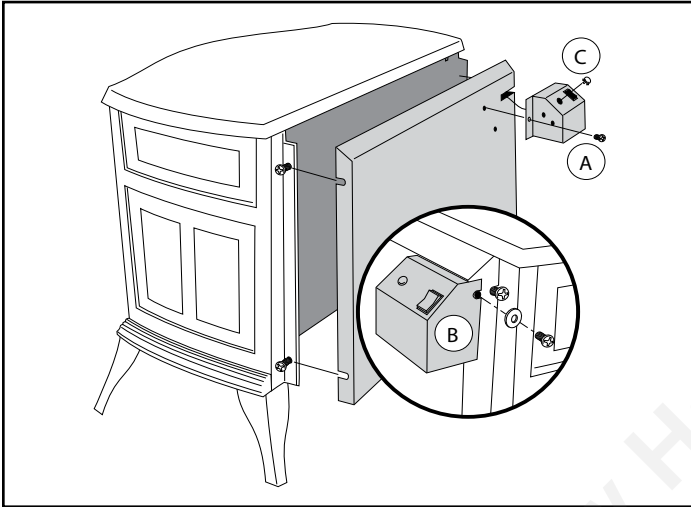


Figure 10 - Remove rear shroud and switch box.

3. Install the fan mounting bracket to the blower assembly with two (2) 1/4-20 X 3/4" hex head screws and one of the 1/4" star washers. (Refer to Page 1)
4. Secure the fan assembly to the bottom plate through the mounting bracket with the other two (2) 1/4-20 x 3/4" hex head screws and the remaining 1/4" star washer. (Figure 10)

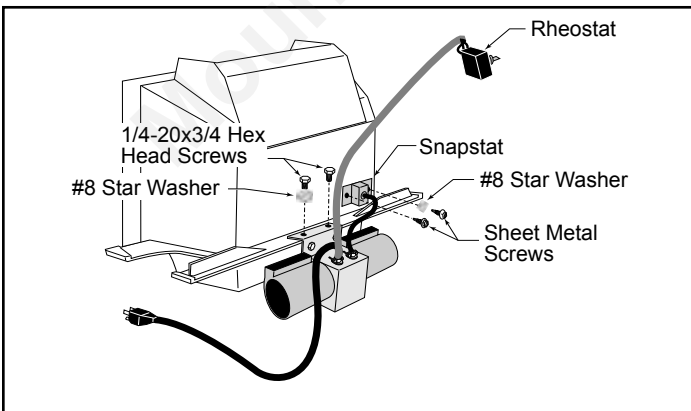


Figure 11 - Attach fan to RVF33.

5. Attach the snapstat. (Figure 11) Use the two (2) sheet metal screws and single #8 star washer to secure the snapstat to the back of the firebox.

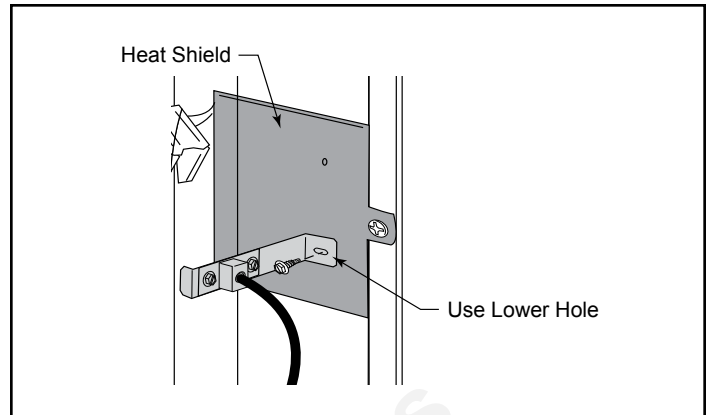


Figure 12 - Attach snapstat bracket.

6. Install the rheostat into the switch box. Feed the fan rheostat wire harness through the cut out in the rear shroud. Insert the rheostat control shaft through the switch box hole while aligning the locator pin with the smaller hole. Install the retaining nut and knob onto the control shaft. (Figure 12)
7. Reinstall the switch box on the rear shroud using the original screw(s). Be sure the wire harness runs down the inside face of the shroud panel.
8. Reinstall the rear shroud and tighten the four (4) screws.

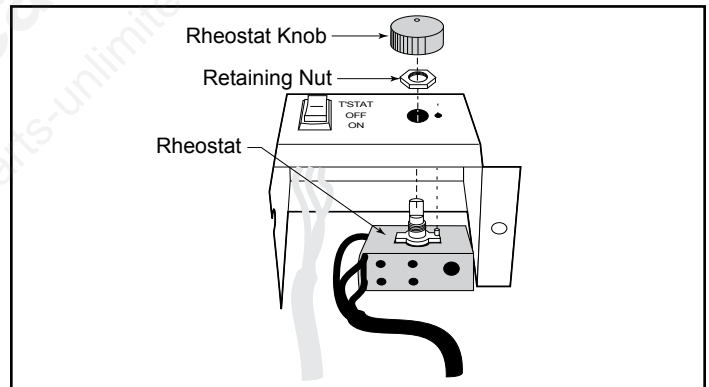


Figure 13 - Install rheostat into switch box.

Radiance Natural Vent - RNV40

1. Remove the rear skirt. Use work gloves to protect your hands. Remove six (6) sheet metal screws around the edge of the draft hood opening. ('A', Figure 14) Remove the rear skirt cover plate: three (3) screws hold it on. ('B', Figure 14) Remove one (1) sheet metal screw holding the switch box to the rear skirt. Loosen the Phillips head bolt on each side of the rear skirt. ('C', Figure 14) Carefully pull the skirt assembly straight back; a wire tie holds two (2) wiring harnesses to the rear skirt. Set the skirt down carefully, either remove the wire tie, or let the harnesses hold the skirt edge off the floor.
2. Position the fan assembly. Place the fan behind the rear skirt as shown in Figure 15. Pass the fan rheostat assembly and snapstat assembly up through the slot in the horizontal top surface of the fan shield attached to the inside of the skirt.
3. Attach the snapstat housing to the snapstat bracket with two (2) sheet metal screws and one (1) #8 star washer. (Figure 15)

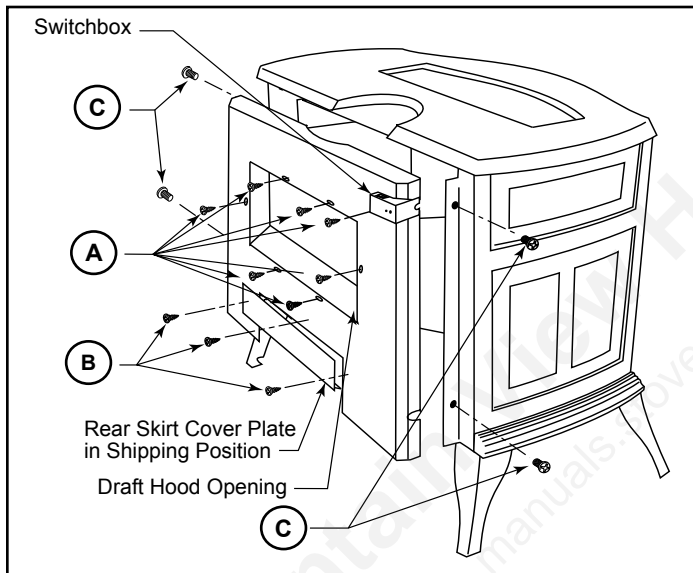


Figure 14 - Remove rear skirt cover plate and rear skirt from RNV40.

4. Attach the snapstat bracket, with the snapstat assembly mounted to it, to the top surface of the fan shield with a sheet metal screw. There is a predrilled hole in the shield for this. The vertical part of the snapstat bracket should be about 3/16" back from edge "A" in Figure 15.
5. Attach the fan assembly to the rear skirt with two (2) 1/4 - 20 x 3/4" hex bolts, two (2) 1/4-20 nuts and one (1) 1/4" star washer. (Figure 15)

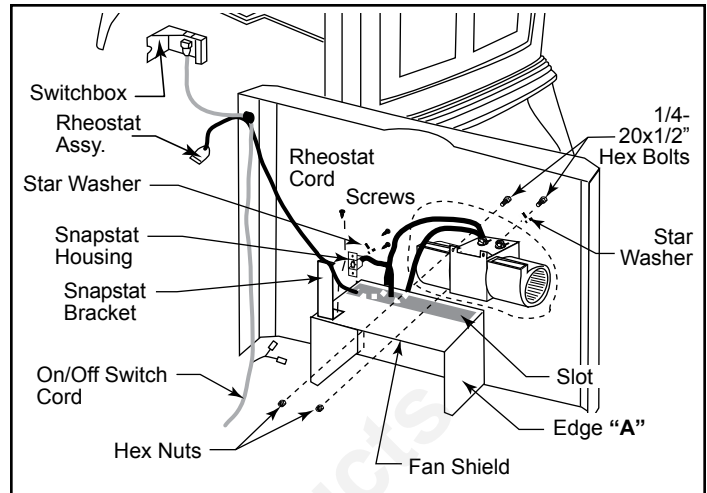


Figure 15 - Attach fan, snapstat assembly and snapstat bracket to rear skirt.

6. Bring the rheostat cord to the inside of the stove; pass the cord through the slot at the edge of the rear skirt, where the on/off switch passes through. Lift the rear skirt into rough position; make sure the fan and on/off switch wires are not trapped between the skirt and inner draft hood assembly. The on/off switch and fan rheostat should hang loosely outside the edge of the skirt. The edges of the rear skirt go outside the rear vertical edges of the stove sides. There is a rope gasket around the large opening in the rear skirt, make sure this stays in place. Install the six (6) sheet metal screws around the perimeter of the large opening in the rear skirt. ('A', Figure 17)
7. Tighten three (3) of the bolts holding the rear skirt to the stove body; leave the one at the switch box loose. Pop out the round chrome plug in the switch box. Remove the rheostat knob and collar from the rheostat assembly. Pass the rheostat stem through the hole in the switch box; align the locator pin with the smaller hole. Install the retaining nut from the outside of the housing, and snug it up against the switch box. Slide the rheostat knob onto the stem. (Figure 16)

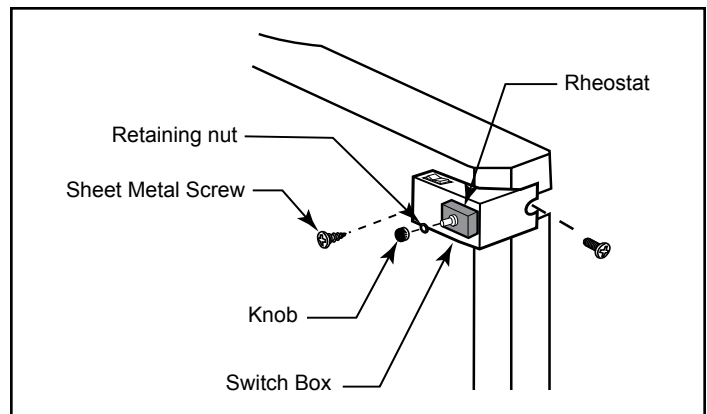


Figure 16 - Attach rheostat retaining nut and knob. Attach switch box to rear skirt with sheet metal screw.

8. Fasten the switch box to the rear skirt with a sheet metal screw as shown in Figure 16. Tighten the Phillips bolt holding the switch box to the rear skirt and the stove.
9. Replace the rear skirt cover plate with three (3) sheet metal screws as shown at "C", Figure 16. The top edge of the cover plate goes inside the rear skirt. Replace a sheet metal screw at each side of the fan assembly, holding the rear skirt to the inner fan shield. ('D', Figure 17)
10. Plug the fan cord into a standard grounded 110 volt household outlet.

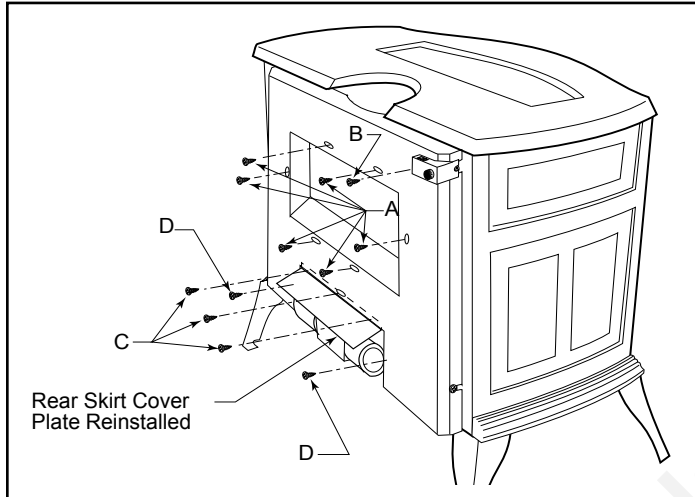


Figure 17 - Replace rear skirt, coverplate and switch box.

RNVOD

These instructions are for stoves with serial numbers up to #1456 (RNVODRN), #1943 (RNVODRP).

1. Remove the rear shroud. (Figure 18) Use work gloves to protect your hands. Remove the rear shroud cover plate. Remove the six (6) sheet metal screws ('A', Figure 18) surrounding the draft hood opening. Remove the shroud and set aside.

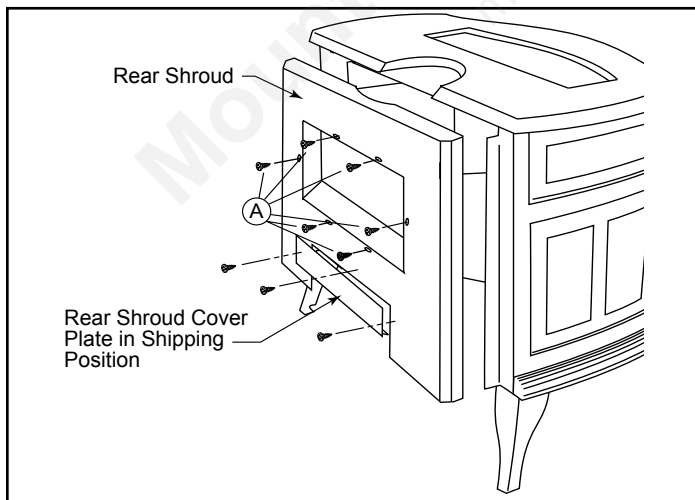


Figure 18 - Remove rear shroud cover plate and rear shroud.

2. Position the fan behind the rear shroud. (Figure 19) Pass the fan rheostat assembly and snapstat assembly beneath the stove toward the front.

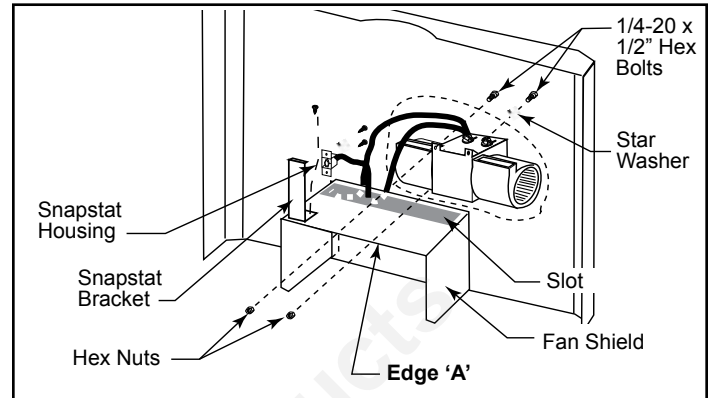


Figure 19 - Position the fan behind rear shroud.

3. The rheostat control switch attaches to the left side of the valve bracket at the front of the stove. (Figure 20)
 - Remove retaining nut from shaft of rheostat. (if preinstalled)
 - Insert the rheostat through the hole in the back of the left side of the valve bracket, aligning the locator pin with the smaller hole in that bracket.
 - Thread the retaining nut onto the shaft of the rheostat, tightening with a wrench. Do not overtighten.
 - Attach the control knob to the rheostat shaft.
 - Use the wire tie to secure the fan and rheostat wire harnesses together.

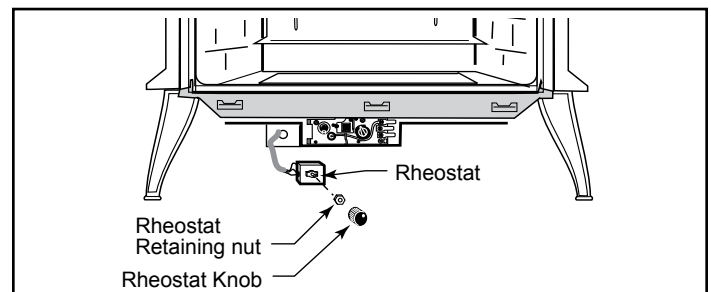


Figure 20 - Attach the fan rheostat.

- Attach the snapstat housing to the snapstat bracket with two (2) sheet metal screws and one (1) #8 star washer. (Figure 19)
- Attach the snapstat bracket, with the snapstat assembly attached, to the horizontal surface on the inside of the rear shroud. Use a sheet metal screw. There are predrilled holes at each corner of the panel for this. The vertical part of the snapstat bracket should be 3/16" back from Edge 'A'. (Figure 19)
- Attach the fan assembly to the rear shroud using two (2) 1/4-20 x 1/2" hex head bolts, two (2) 1/4"-20 nuts and one (1) 1/4" star washer. (Figure 19)
- Reattach the stove's rear shroud.
- Reattach the rear shroud cover plate by fastening it to the rear shroud as shown in Figure 21. The top edge of the cover plate goes inside the rear shroud. Reinstall and tighten the six (6) sheet metal screws around the draft hood opening. ('A', Figure 21) Use two (2) screws from the fan kit to fasten the rear shroud to the fan shield. ('A', Figure 21)
- Plug the fan cord into a standard grounded 110 volt household outlet.

- Carefully pull the shroud assembly away from the rear of the stove.
- With the rear shroud assembly in the upright position, set the bottom of the shroud on a padded surface to prevent scratching the surface. Unfasten the four phillips head screws which attach the outer shroud to the inner duct assembly.
- Attach the fan assembly to the fan bracket provided in the finish bag using the #10 sheet metal screws provided in fan kit. Do not remove finger guard screws. (Figure 23)

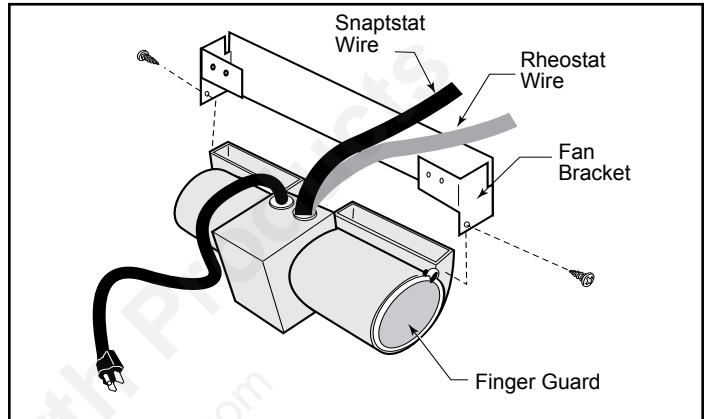


Figure 23 - Attach the fan assembly to the fan bracket.

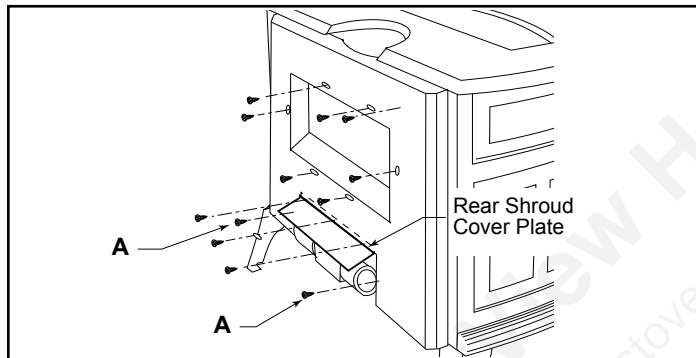


Figure 21 - Attach rear shroud cover plate to the rear shroud.

RNVOD

These instructions are for stoves with serial numbers starting at #1457 (RNVODRN), #1944 (RNVODRP).

- Loosen the four (4) phillips head screws which secure the rear shroud to the stove sides. (Figure 22)

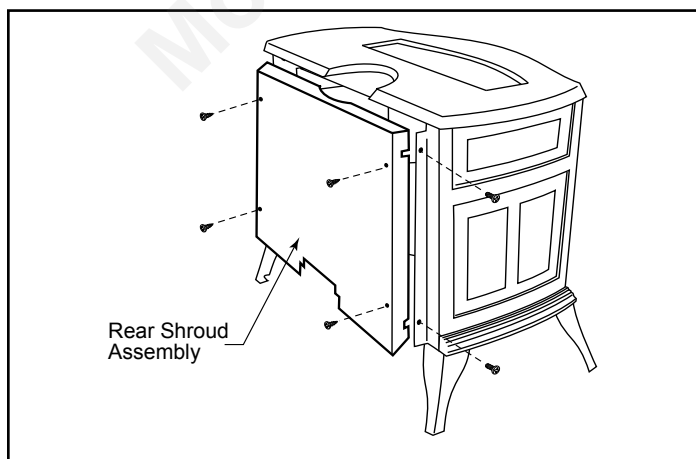


Figure 22 - Remove rear shroud.

- Connect snapstat leads. Disconnect the snapstat module from the leads inside the snapstat bracket. (Figure 24) Bend open the snapstat bracket. Use needle nose pliers to remove the black plastic grommet from the bracket. Discard the bracket. Insert the grommet and wires into the large hole at the bottom right corner of the inner shroud. Feed the snapstat wire leads through the grommet into the stove interior. Connect the two (2) wires to the two (2) snapstat extension leads attached to the inner shroud or, on some models, between the inner and outer shroud.

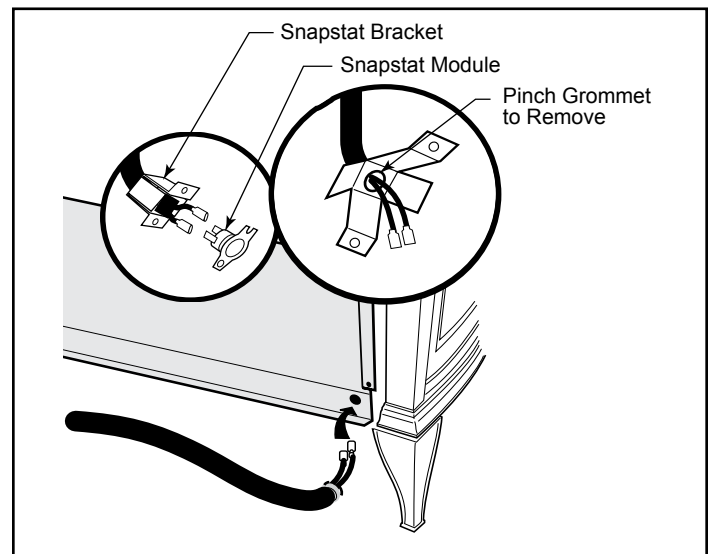


Figure 24 - Remove the snapstat and grommet from the bracket and insert the grommet into the inner shroud.

- Position the fan assembly so the ducts slide between the inner and outer shroud. The inner shroud should engage with the two (2) slots in the ends of the bracket so that bracket and shroud are interlocked. (Figure 25) Secure the bracket with the four (4) sheet metal screws provided in the finish bag.

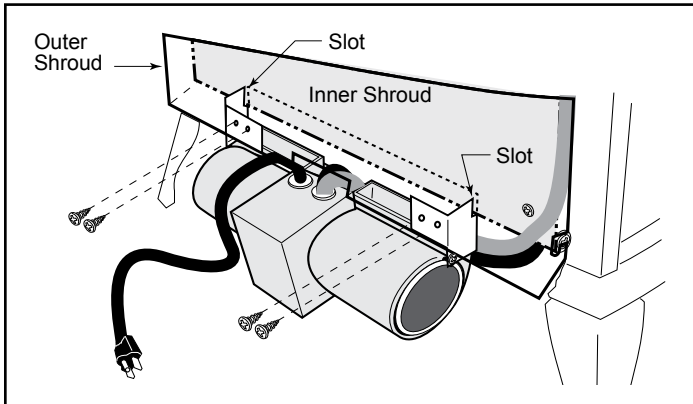


Figure 25 - Position the fan to engage the inner shroud with the fan bracket slots and secure with sheet metal screws.

- Route the rheostat wire assembly to the right between the inner and outer shroud. Run the wire through the slots at the bottom right corner of the inner shroud. Some models have the extension wire assembly attached to the inner shroud.
- Refasten the outer shroud to the inner duct assembly.
- Install the snapstat by loosening the front screw on the inner side of the duct. (Figure 26) Slide the snapstat under the head of the screw and tighten. Connect the leads to the snapstat. Make sure the snapstat assembly is mounted straight front to back.

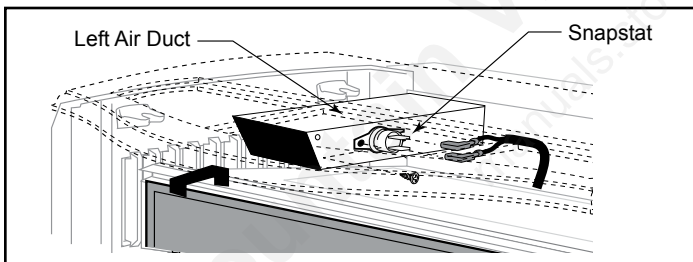


Figure 26 - Install the snapstat and connect to the extension wire terminals. View is with top removed, however, access is available through the rear when installing fan before gas line connection.

- Slide shroud assembly over the sides and fasten the four (4) screws loosened earlier.
- The rheostat control switch attaches to the left side of the valve bracket at the front of the stove. (Figure 27)
 - Remove retaining nut from shaft of rheostat. (if preinstalled)
 - Insert the rheostat through the hole in the back of the left side of the valve bracket, aligning the locator pin with the smaller hole in that bracket.
 - Thread the retaining nut onto the shaft of the rheostat, tightening with a wrench. Do not overtighten.

- Attach the control knob to the rheostat shaft.
- Use the wire tie to secure the fan and rheostat wire harnesses together.

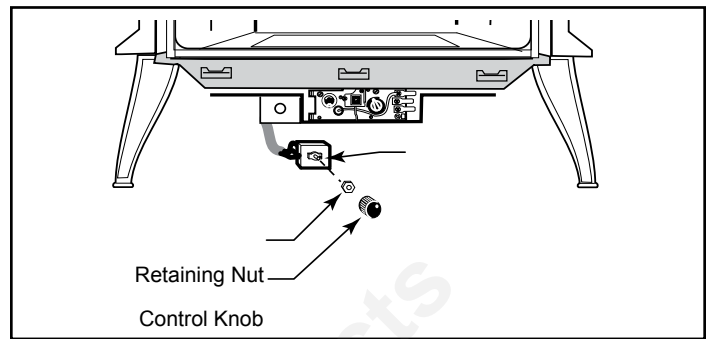


Figure 27 - Attach rheostat to left side of valve.

- Plug the power cord into a standard grounded 110 volt household outlet. If the fan control knob is not turned to the OFF position, the fan will turn on when the temperature at the snapstat reaches approximately 109°F.

Radiance Unvented (RUVS40):

The fan kit includes a 'snapstat', a temperature sensing switch which will be mounted to the blower duct just below the top plate of the stove. The snapstat automatically turns the fan on or off at approximately 109°F.

These directions are oriented facing the rear of the stove. Position the fan under the rear shroud as shown in Figure 28.

1. Open the left side of rear shroud. (Figure 28)
 - Remove the round head phillips screws (B) that secure the shroud to the side of the stove.
 - Remove the sheet metal screw (C) that fastens the switchbox to the rear shroud.
 - Remove the two (2) sheet metal screws (D) that secure the inner and outer shroud together. Let the switch box and wiring hang loosely.
2. Install the control switch. (Figure 28)
 - Run the control switch (E) and wire up along the side between the inner and outer shrouds and through the slot at the side.
 - Attach the switch to the switch box with the retaining nut and control knob (F).
 - Secure the switch box assembly to the rear shroud with the single sheet metal screw (C).
3. Connect snapstat leads.

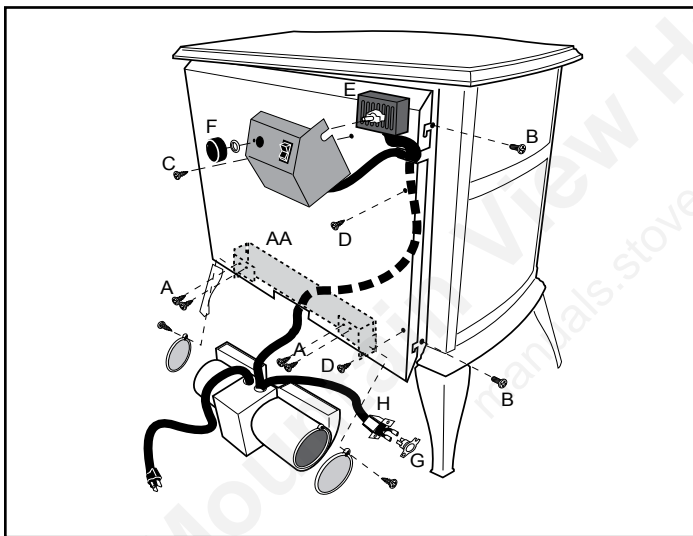


Figure 28 - Open the rear shroud and install fan control switch.

- Disconnect the snapstat module (G) from the leads inside the snapstat bracket (H).
- Bend open the snapstat bracket (H). Use your fingers or needle nose pliers to remove the black plastic grommet from the bracket. Discard the bracket. (Figure 29)
- Insert the grommet and wires into the large hole at the bottom right corner of the inner shroud. (Figure 30)
- Feed the snapstat wire leads through the grommet into the stove interior. Connect the two wires to the two (2) snapstat extension leads attached to the inner shroud.

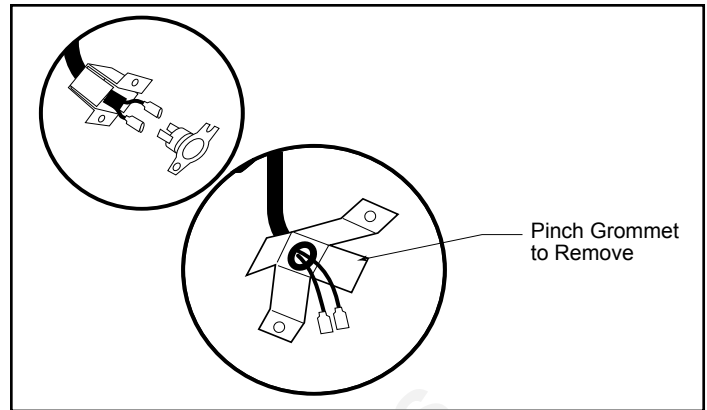


Figure 29 - Remove snapstat and grommet from the bracket.

4. Resecure the rear shroud panels.
 - Reinstall and tighten the two (2) sheet metal screws, ('D', Figure 28), that secure the inner and outer shrouds together.
 - Secure the upper corner of the shroud and switch box to the side of the stove using a 1/4 - 20 x 1/2" round head phillips screw, previously removed. ('B', Figure 28)

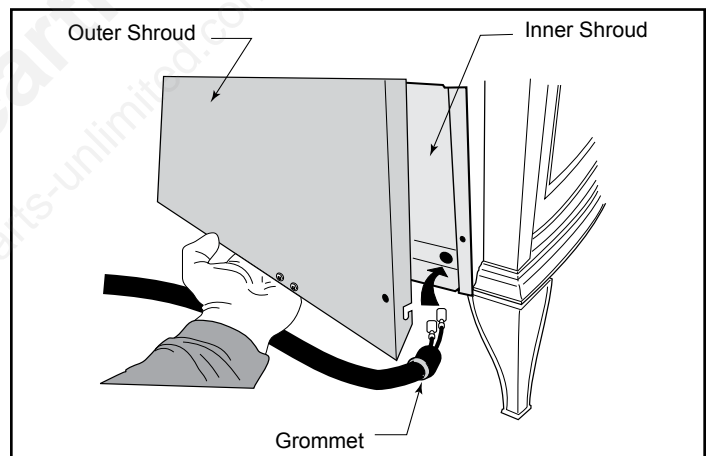


Figure 30 - Insert grommet into the inner shroud.

5. Attach the fan assembly to the bracket supplied with stove in parts bag assembly. Use #10 sheet metal screws provided with fan kit. Do not remove finger guards screws. (Figure 31)
 - Position the fan assembly so the ducts slide between the inner and outer shroud. The inner shroud should engage with the two (2) slots in the ends of the bracket so the bracket and shroud are interlocked. (Figure 32) Secure the bracket with the four (4) sheet metal screws previously removed.
6. Install snapstat. Looking through the stove front, locate the snapstat mounting screws on the side of the left air duct under the top plate. Remove the front screw ('A', Figure 33), but only loosen the rear screw. Slip the snapstat under the rear screw, replace the front screw, and tighten both.
 - Detach the extension wire from the retainer clip at the rear. Connect the female flag connectors ('B', Figure 33) of the snapstat extension to the snapstat module. Confirm that the wires are running to the back and away from the top of the stove.

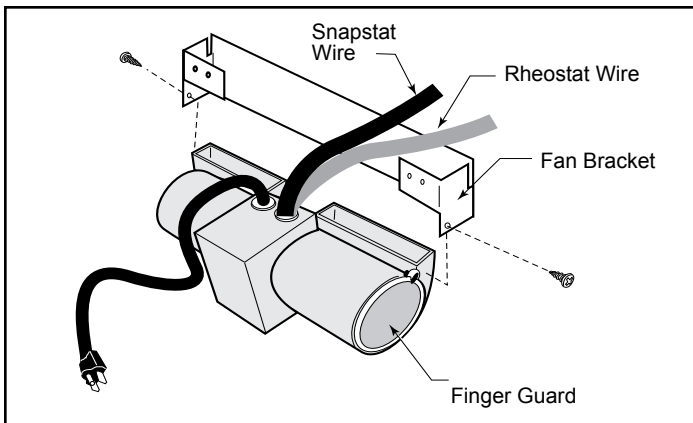


Figure 31 - Attach fan assembly to fan bracket.

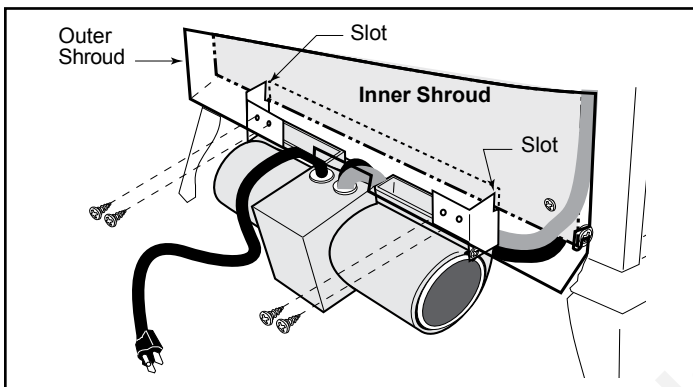


Figure 32 - Position the fan to engage the inner shroud with the fan bracket slots and secure with sheet metal screws.

7. Plug the power cord into a standard grounded 110 volt household outlet.

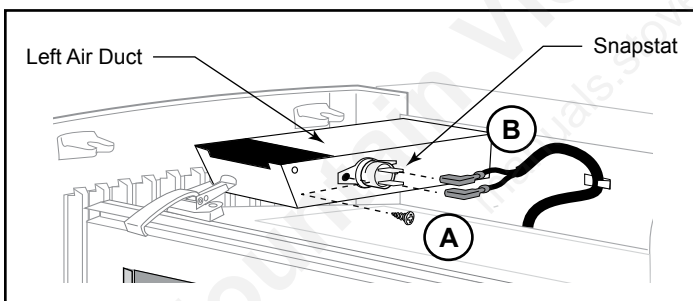


Figure 33 - Install snapstat to left air duct.

RUVSOD

1. Loosen the four (4) phillips head screws which secure the rear shroud to the stove sides. (Figure 34)
2. Carefully pull the shroud assembly away from the rear of the stove.
3. With the rear shroud assembly in the upright position, set the bottom of the shroud on a padded surface to prevent scratching. Unfasten the four (4) phillips head screws which attach the outer shroud to the inner duct assembly. **NOTE:** If you are installing the fan kit after the stove is in its final location, follow same steps, except disengage only the right side of the outer shroud.

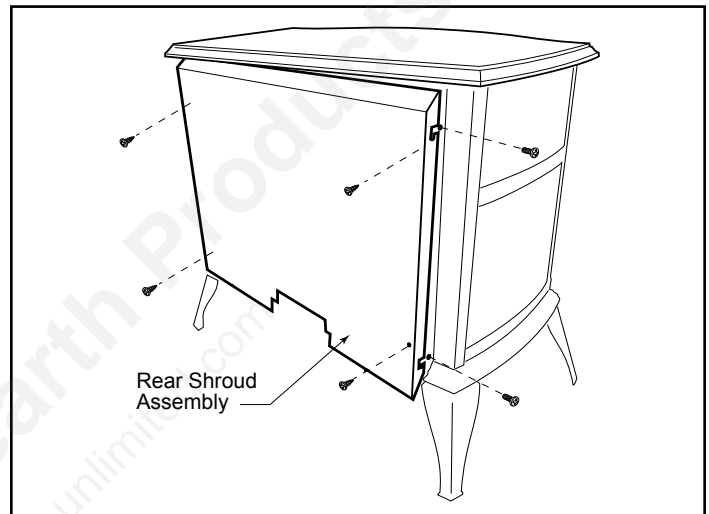


Figure 34 - Loosen four (4) phillips screws holding the rear shroud assembly and remove. Remove four phillips screws holding rear shroud to inner duct assembly. Remove rear shroud.

4. Attach the fan assembly to the fan bracket provided in the log box that came with the stove. Use the #10 sheet metal screws provided with fan kit. Do not remove finger guard screws. (Figure 35)

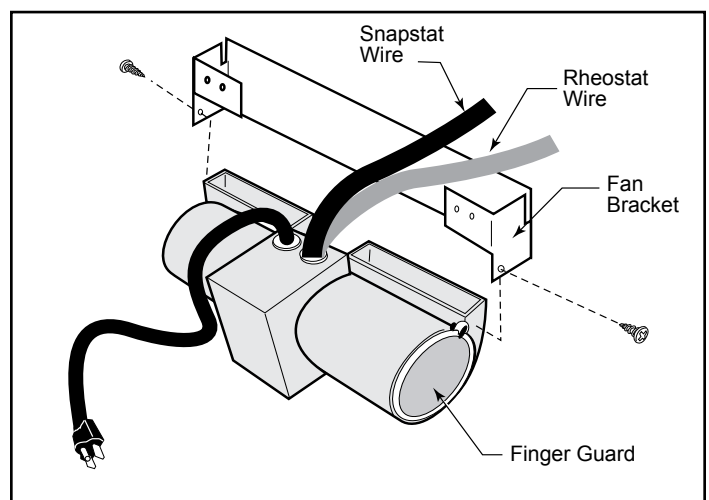


Figure 35 - Attach fan assembly to fan bracket.

5. Connect snapstat leads. Disconnect the snapstat module from the leads inside the snapstat bracket. (Figure 36) Bend open the snapstat bracket. Use needlenose pliers to remove the black plastic grommet from the bracket. Discard the bracket. Insert the grommet and wires into the large hole at the bottom right corner of the inner shroud. Feed the snapstat wire leads through the grommet into the stove interior. Connect the two (2) wires to the two (2) snapstat extension leads attached to the inner shroud.

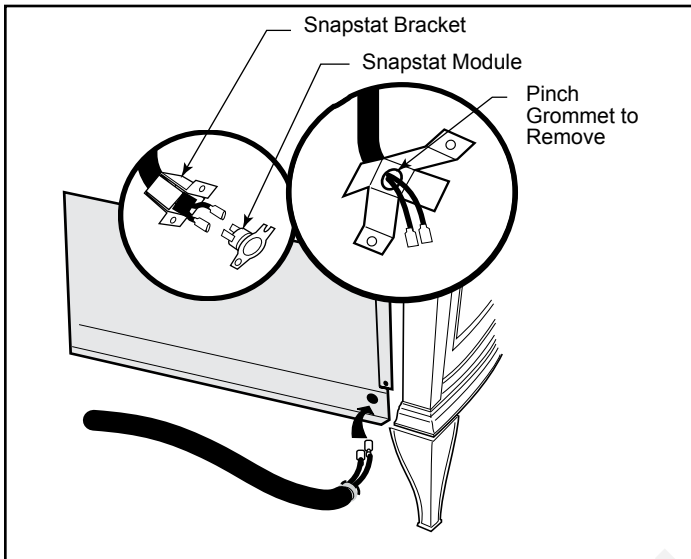


Figure 36 - Remove the snapstat and grommet from the bracket and insert the grommet into the inner shroud.

6. Position the fan assembly so the ducts slide between the inner and outer shroud. The inner shroud should engage with the two (2) slots in the ends of the bracket so that bracket and shroud are interlocked. (Figure 37) Secure the bracket with the four (4) sheet metal screws provided in the finish bag.

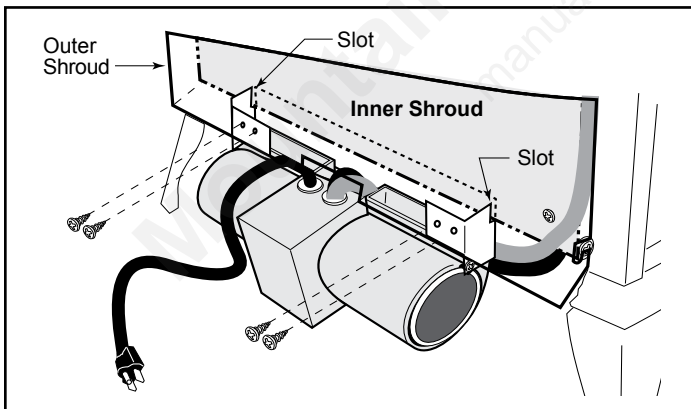


Figure 37 - Position the fan to engage the inner shroud with the fan bracket slots and secure with sheet metal screws.

7. Route the rheostat wire assembly to the right between the inner and outer shroud. Run the wire through the slots at the bottom right corner of the inner shroud.

8. Refasten the outer shroud to the inner duct assembly.
9. Install the snapstat by loosening the front screw on the inner side of the duct. (Figure 38) Slide the snapstat under the head of the screw and tighten. Connect the leads to the snapstat. Make sure the snapstat assembly is mounted straight front to back.

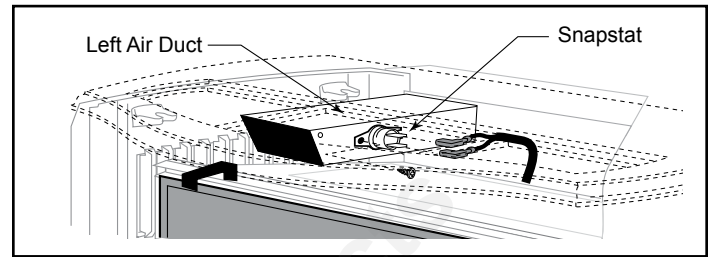


Figure 38 - Install the snapstat and connect the extension wire terminals. View is with top removed, however, access is available through the rear when installing the fan before gas line connection.

10. Slide shroud assembly over the sides and fasten the four (4) screws loosened earlier.
11. The rheostat control switch attaches to the left side of the valve bracket at the front of the stove. (Figure 39)
 - Remove retaining nut from shaft of rheostat. (if preinstalled)
 - Insert the rheostat through the hole in the back of the left side of the valve bracket, aligning the locator pin with the smaller hole in that bracket.
 - Thread the retaining nut onto the shaft of the rheostat, tightening with a wrench. Do not overtighten.
 - Attach the control knob to the rheostat shaft.
 - Use the wire tie to secure the fan and rheostat wire harnesses together.
12. Plug the power cord into a standard grounded 110 volt household outlet. If the fan control knob is not turned to the OFF position, the fan will turn on when the temperature at the snapstat reaches approximately 109°F.

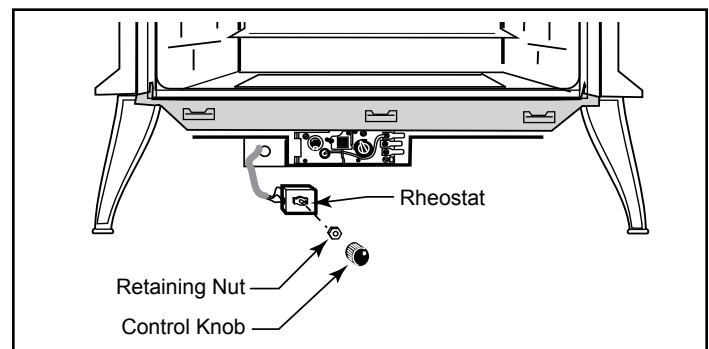


Figure 39 - Attach rheostat to control panel. Valve may look different.

Stardance Direct Vent - SDDVT

1. Remove the rear skirt insert panel at the bottom of the Rear Skirt (Figure 15) and fasten the blower assembly to the firebox back with the two Phillips pan-head bolts originally installed in the firebox back. ('A', Figure 41)

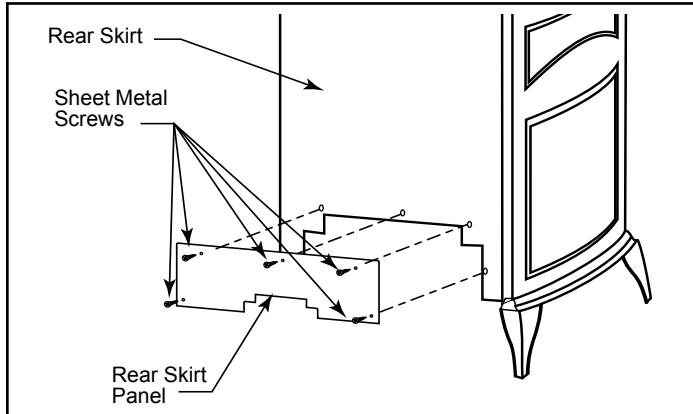


Figure 40 - Remove rear skirt panel.

2. Attach the snapstat assembly to the snapstat bracket with two sheet-metal screws. ('B', Figure 41) Attach the snapstat bracket to the stove with a hex-head bolt passing through the bracket and into the stove base. ('C', Figure 41)
3. The rheostat control switch attaches to the left side of the valve bracket at the front of the stove. (Figure 42)
 - Remove retaining nut from shaft of rheostat. (if preinstalled)
 - Insert the rheostat through the hole in the back of the left side of the valve bracket, aligning the locator pin with the smaller hole in that bracket.
 - Thread the retaining nut onto the shaft of the rheostat, tightening with a wrench. Do not overtighten.
 - Attach the control knob to the rheostat shaft.
 - Use the wire tie to secure the fan and rheostat wire harnesses together.

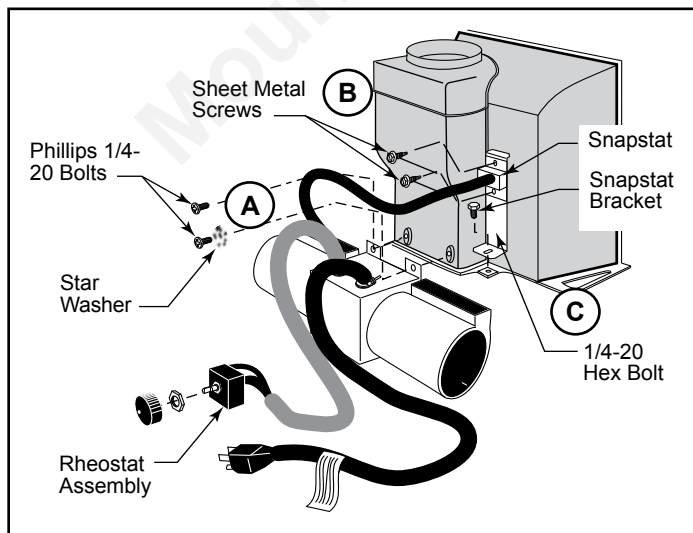


Figure 41 - Attach fan assembly and snapstat.

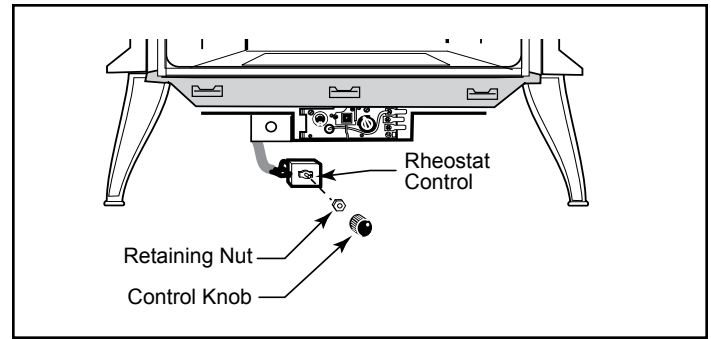


Figure 42 - Attach rheostat to left side of valve.

SDV30

1. Remove the panel at the bottom of the rear skirt (Figure 40) and remove two (2) Phillips head bolts from the bottom of the firebox back. Fasten the blower assembly to the firebox back with two (2) Phillips head bolts and one (1) 1/4" star washer. ('A', Figure 44)

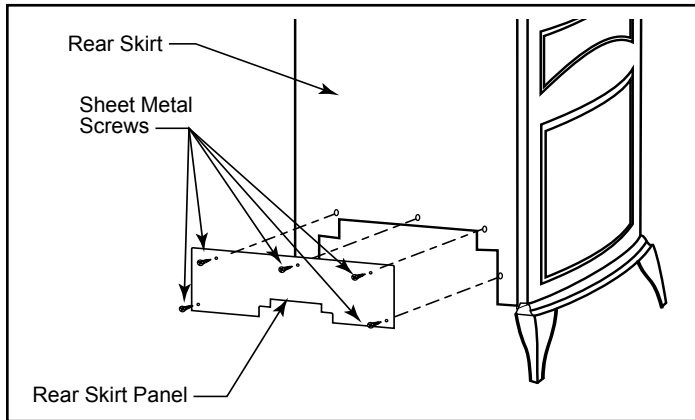


Figure 43 - Remove rear skirt panel.

2. Attach the snapstat assembly to the snapstat bracket with two (2) sheet metal screws. ('B', Figure 44) Attach the snapstat bracket to the stove with a hex head bolt passing through the bracket and into the stove base. ('C', Figure 44)
3. Pass the rheostat cord under the firebox. Remove the valve cover plate by removing two (2) screws from the cover plate. Remove the rheostat knob and retaining nut from the rheostat assembly. Pass the stem of the rheostat assembly through the lower hole at the right side of the valve cover plate, and align the locating pin with the smaller hole. Fasten the stem with the retaining nut. (Figure 45)

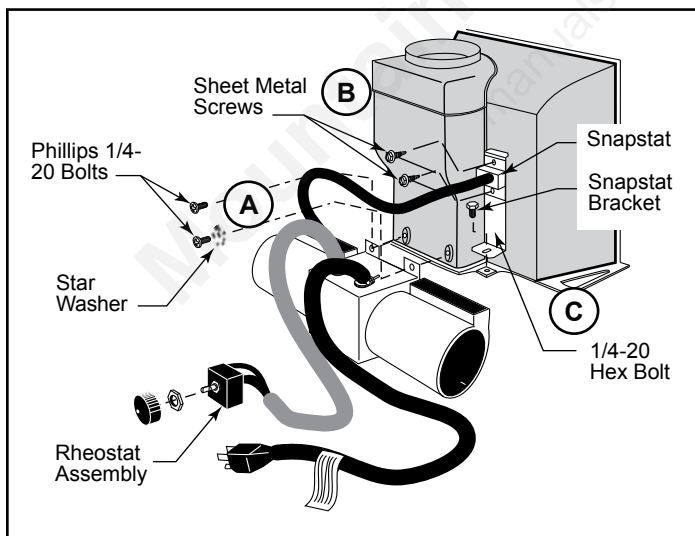


Figure 44 - Attach fan assembly and snapstat.

4. If the stove has already been installed, replace the valve cover plate with two (2) sheet metal screws. The bottom of the stove's rating plate and lighting instructions plate should protrude through the slot at the top right corner of the cover plate. If the gas line and/or switch wires have not yet been attached to the valve, leave the valve cover plate off until the rest of the installation is complete.
5. Plug the fan cord into a standard grounded 110 volt household outlet.

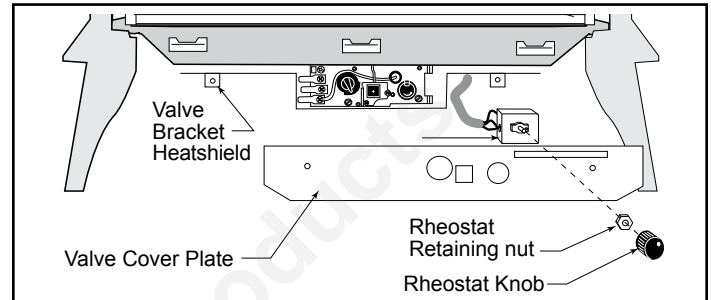


Figure 45 - Attach fan rheostat to valve cover plate.

SDV30R

1. Remove the rear skirt insert panel at the bottom of the rear skirt (Figure 47) and fasten the blower assembly to the firebox back with the two (2) phillips pan head bolts originally installed in the firebox back. ('A', Figure 48)

NOTE: Steps 2 and 3 do not apply when the RF valve is used. After attaching the blower assembly to the firebox, run the spliced female leads to the front of the stove and attach to back of RF valve. (Figure 46)

2. Attach the snapstat assembly to the snapstat bracket with two (2) sheet metal screws. ('B', Figure 48) Attach the snapstat bracket to the stove with a hex head bolt passing through the bracket and into the stove base. ('C', Figure 48)

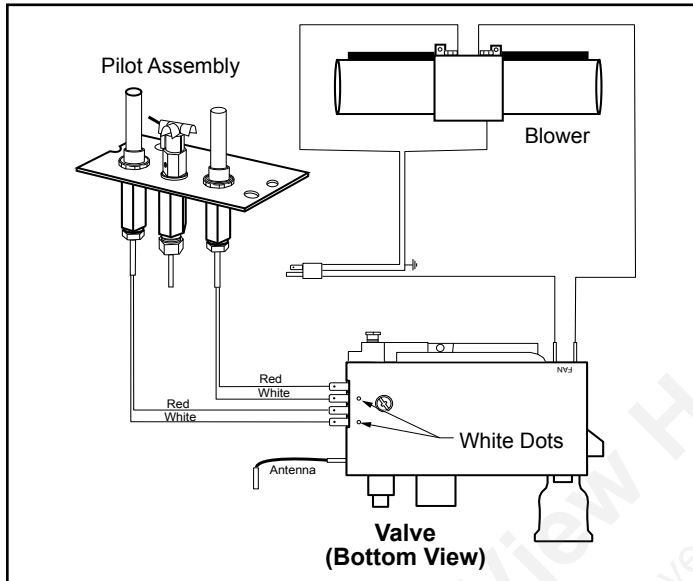


Figure 46 - FK26 is wired to back of Comfort Valve.

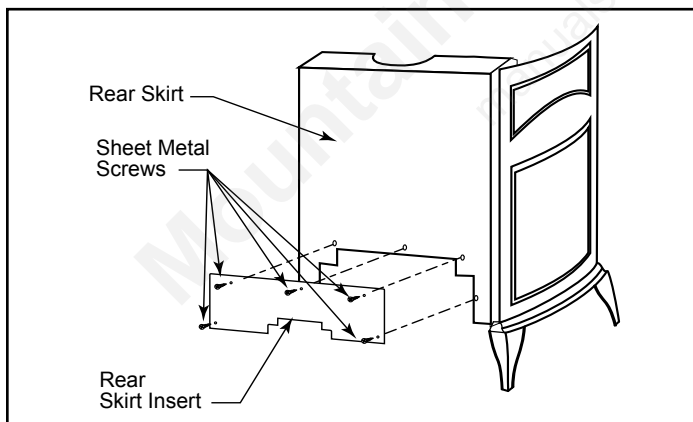


Figure 47 - Remove rear skirt insert.

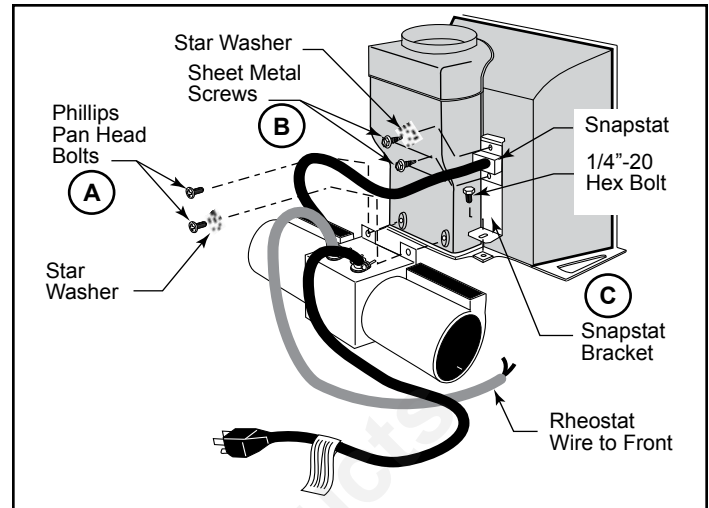


Figure 48 - Attach the fan assembly and the snapstat.

3. The rheostat control switch attaches to the left side of the valve bracket at the front of the stove. (Figure 49)

- Remove retaining nut from shaft of rheostat. (if preinstalled)
- Insert the rheostat through the hole in the back of the left side of the valve bracket, aligning the locator pin with the smaller hole in that bracket.
- Thread the retaining nut onto the shaft of the rheostat, tightening with a wrench. Do not overtighten.
- Attach the control knob to the rheostat shaft.
- Use the wire tie to secure the fan and rheostat wire harnesses together.

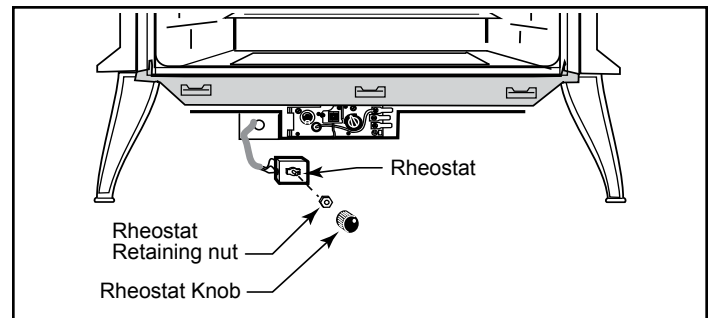


Figure 49 - Attach fan rheostat.

Stardance Natural Vent - SNV30

The blower assembly mounts to the two studs at the lower rear shroud. The rheostat attaches to the front control valve cover panel.

NOTE: The #2767/FK26 Fan Kit includes mounting hardware that is not used on the Stardance Natural Vent heater.

1. Remove the cover plate at the bottom of the rear shroud. ('A', Figure 50)
2. Remove the hex nuts from the two mounting studs located at the lower center of the rear shroud. ('B', Figure 50)

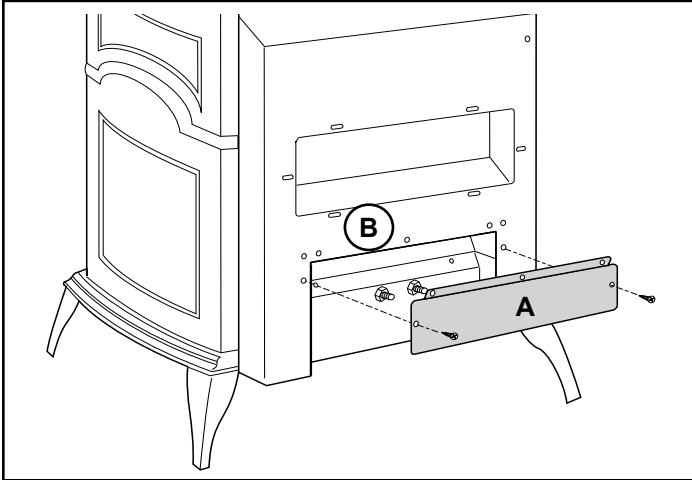


Figure 50 - Remove cover plate (A) from rear shroud, and hex nuts from studs at lower center of rear shroud (B).

3. Insert one end of the snapstat into the seam at the lower shroud and secure it with one (1) #10 x 1/2" sheet metal screw from the parts bag. ('A', Figure 51) Use another sheet metal screw to fasten the shroud at the adjacent hole. ('B', Figure 51) Fasten the blower assembly to the studs with two (2) hex nuts previously removed and one (1) of the star washers from the Fan Kit parts bag. ('C', Figure 51)

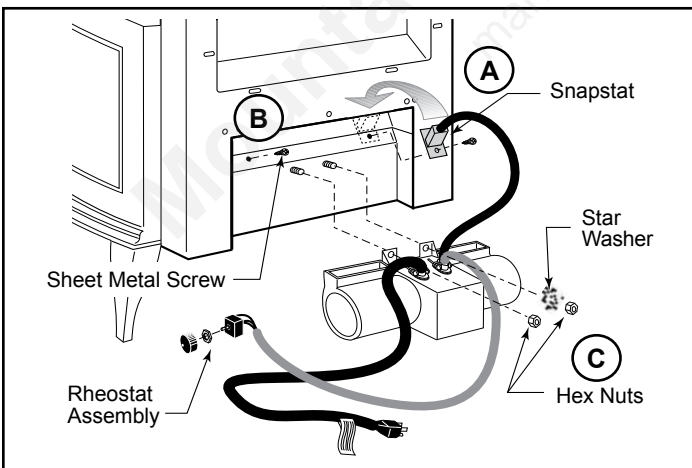


Figure 51 - Attach snapstat and fan assembly to rear shroud.

4. Pass the rheostat cord under the firebox. If the control valve cover panel has not yet been installed, set it in rough position in front of the firebox. Leave the control panel off until you have attached the gas line and connected the switch wires. (Figure 52) Align the locating pin on the rheostat stem with the smaller hole in the Control Panel. Fasten the rheostat stem to the Control Panel with the retaining nut.

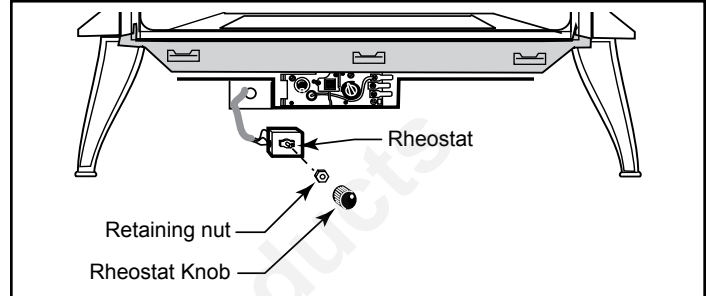


Figure 52 - Attach rheostat to control panel.

Or, if you have a stove with a valve cover plate: Pass the rheostat cord under the firebox. Remove the valve cover plate by removing two (2) screws from the cover plate. Remove the rheostat knob and retaining nut from the rheostat assembly. Pass the stem of the rheostat assembly through the lower hole at the right side of the valve cover plate, and align the locating pin with the smaller hole. Fasten the stem with the retaining nut. (Figure 53)

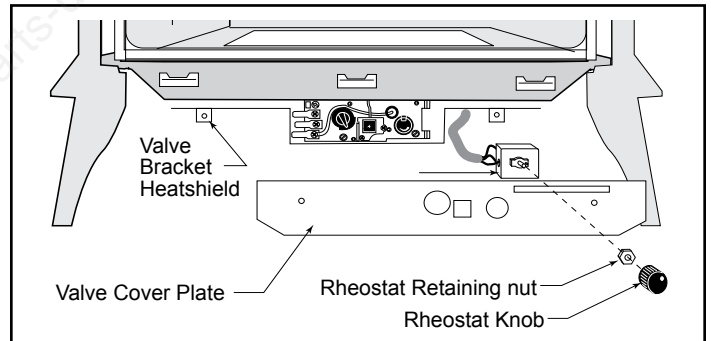


Figure 53 - Attach fan rheostat to valve cover plate.

5. Use three (3) #10 x 1/2" sheet metal screws to reattach the rear shroud cover plate as shown in Figure 50. If the fan installation is part of the original stove installation, finish securing the shroud to the firebox draft hood assembly using first four (4) #10 x 1" sheet metal screws ('A', Figure 54) and then six (6) #10 x 1/2" sheet metal screws ('B', Figure 54) at the locations shown in Figure 54.

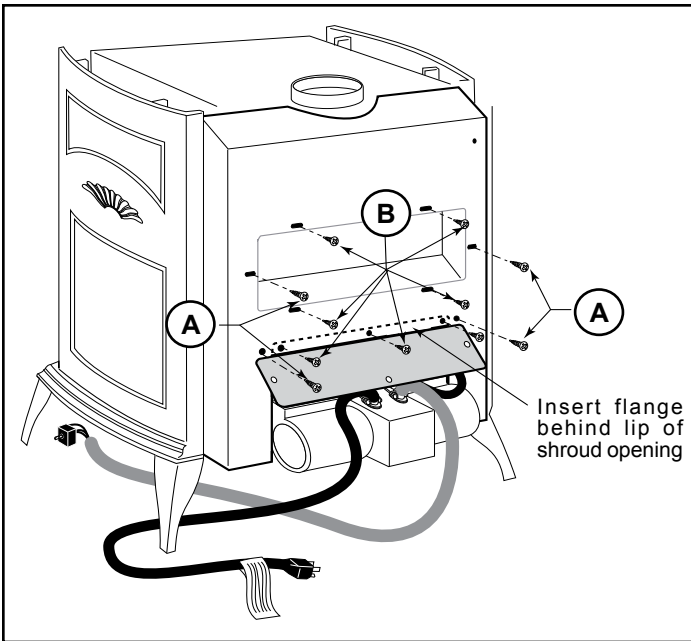


Figure 54 - Reattach the cover plate; fasten rear shroud to firebox draft hood assembly if the fan installation is part of first assembly of stove.

SNV30

These instructions are for stove with serial #'s up to #5250 (SNV30RN), #5483 (SNV30RP).

NOTE: The #2726 / FK26 Fan Kit includes mounting hardware that is not used on your Stardance Natural Vent heater.

1. Remove the cover plate (A) at the bottom of the rear shroud. (Figure 55)
2. Remove the hex nuts (B) from the two mounting studs located at the lower center of the rear shroud. (Figure 55)
3. Insert one end of the snapstat into the seam at the lower shroud and secure it with one #10 x 1/2" sheet-metal screw from the parts bag. (A, Figure 56) Use another sheet metal screw to fasten the shroud at the adjacent hole. (B, Figure 56) Fasten the blower assembly to the studs with the two hex nuts previously removed and one of the star washers from the Fan Kit parts bag. (C, Figure 56)
4. Pass the rheostat cord under the firebox. The rheostat control switch attaches to the left side of the valve bracket at the front of the stove. (Figure 57)

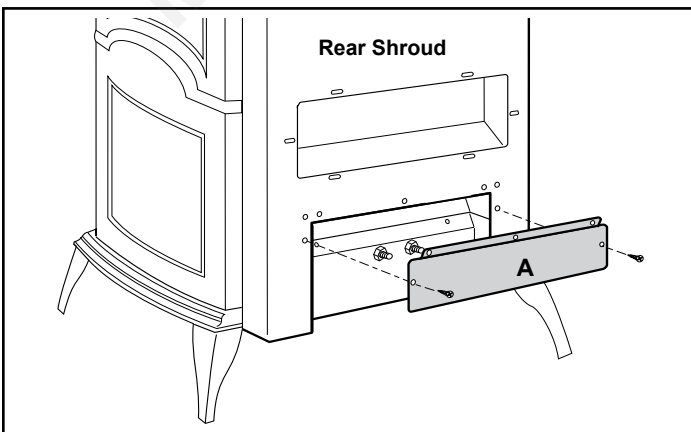


Figure 55 - Remove the cover plate and hex nuts from the rear shroud.

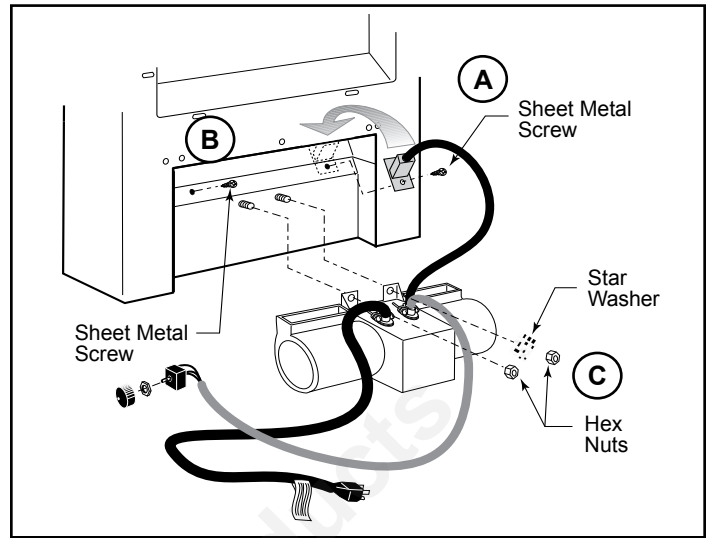


Figure 56 - Attach the snapstat and fan assembly to the rear shroud.

- Remove retaining nut from shaft of rheostat. (if preinstalled)
 - Insert the rheostat through the hole in the back of the left side of the valve bracket, aligning the locator pin with the smaller hole in that bracket.
 - Thread the retaining nut onto the shaft of the rheostat, tightening with a wrench. Do not overtighten.
 - Attach the control knob to the rheostat shaft.
 - Use the wire tie to secure the fan and rheostat wire harnesses together.
6. Use three of the #10 x 1/2" sheet metal screws to reattach the rear shroud cover plate as shown in Figure 58. Finish securing the shroud to the firebox draft hood assembly using first four #10 x 1" sheet metal screws (A) and then six #10 x 1/2" sheet metal screws (B) and at the locations shown in Figure 58. **NOTE:** Failure to follow Step 6 in detail could result in poor air flow performance.

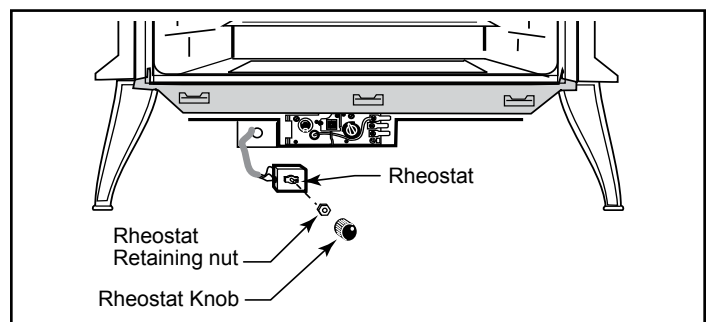


Figure 57 - Attach fan rheostat.

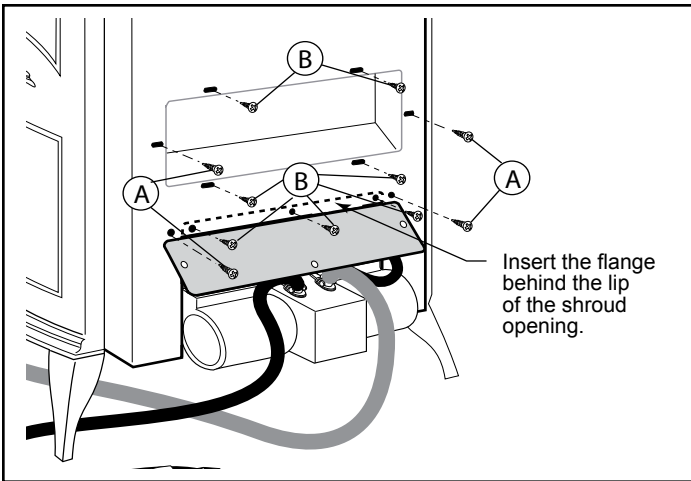


Figure 58 - Reattach the cover plate and secure the rear shroud to the firebox draft hood assembly.

SNV30

These instructions are for stoves with serial numbers starting at #5251 (SNV30RN), #5484 (SNV30RP).

1. Attach the fan assembly to the fan bracket provided in the log box. Use #10 sheet metal screws provided with fan kit. Do not remove finger guard screws. (Figure 59)

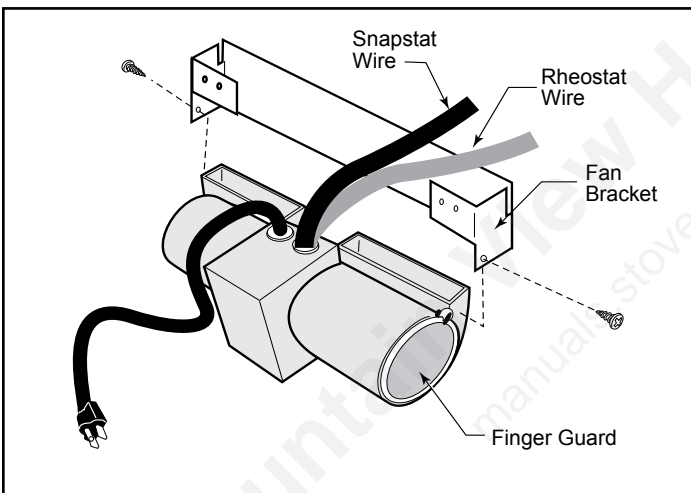


Figure 59 - Attach the fan assembly to the fan bracket.

2. Connect snapstat leads. Disconnect the snapstat module from the leads inside the snapstat bracket. (Figure 60) Bend open the snapstat bracket. Use needle nose pliers to remove the black plastic grommet from the bracket. Discard the bracket. Connect the two wires to the two snapstat extension leads provided with the parts bag (wires with the sleeve).

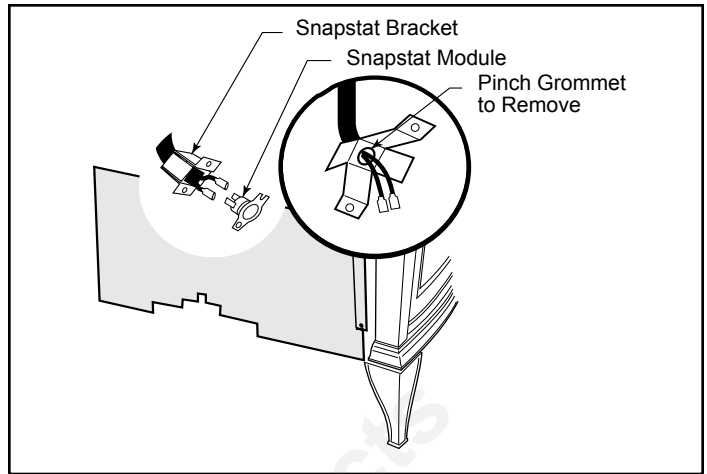


Figure 60 - Remove the snapstat and grommet from the bracket.

3. Disassemble the inner shroud from the outer shroud by removing the four screws, two on each side.
4. Place the grommet provided in the parts bag assembly on the inner shroud. Run the snapstat extension assembly leads through the grommet toward the firebox. (Figure 61)

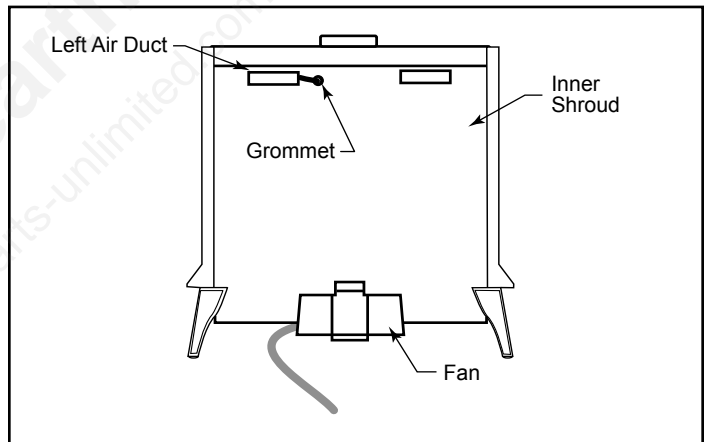


Figure 61 - Attach snapstat wire assembly to inside of inner shroud with clamp screws.

5. Assemble the inner shroud to the outer shroud using previously removed screws.
6. Position the fan assembly so the ducts slide between the inner and outer shroud. The inner shroud should engage with the two slots in the ends of the bracket so the bracket and shroud are interlocked. (Figure 62) Secure the bracket with the four sheet metal screws provided in the finish bag.

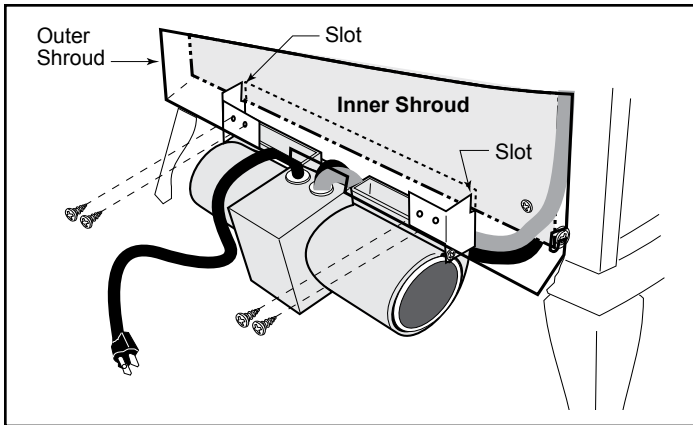


Figure 62 - Position the fan to engage the inner shroud with the fan bracket slots and secure with sheet metal screws.

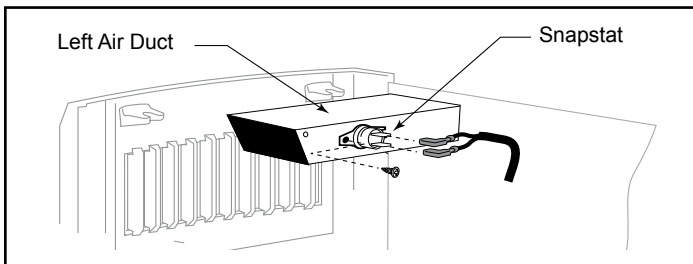


Figure 63 - Install the snapstat and connect the extension wire terminals. View is with top removed, however, access is available through the rear when installing fan before gas line connection.

7. Install the snapstat by loosening the front screw on the inner side of the duct. (Figure 63) Slide the snapstat under the head of the screw and tighten. Connect the leads to the snapstat. Make sure the snapstat assembly is mounted straight front to back.
8. After sliding the firebox in place, the rheostat control switch attaches to the left side of the valve bracket at the front of the stove. (Figure 64)
 - Remove retaining nut from shaft of rheostat. (if preinstalled)
 - Insert the rheostat through the hole in the back of the left side of the valve bracket, aligning the locator pin with the smaller hole in that bracket.
 - Thread the retaining nut onto the shaft of the rheostat, tightening with a wrench. Do not overtighten.
 - Attach the control knob to the rheostat shaft.
 - Use the wire tie to secure the fan and rheostat wire harnesses together.
9. Plug the power cord into a standard grounded 110 volt household outlet. If the fan control knob is not turned to the OFF position, the fan will turn on when the temperature at the snapstat reaches approximately 109°F.

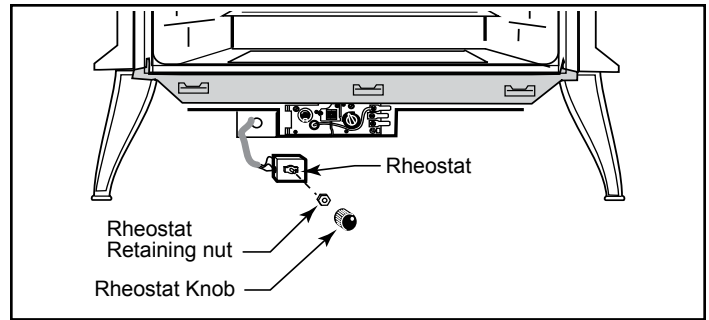


Figure 64 - Attach fan rheostat.

Dutchwest & Oxford Direct Vent/Natural Vent

NOTE: The #2767 / FK26 Fan Kit may include parts that are not used on the Dutchwest/Oxford gas stoves.

1. Remove the rear skirt insert panel at the bottom of the rear skirt (Figure 65) and fasten the blower assembly to the firebox back with the two (2) Phillips pan-head bolts originally installed in the firebox back. ('A', Figure 66)

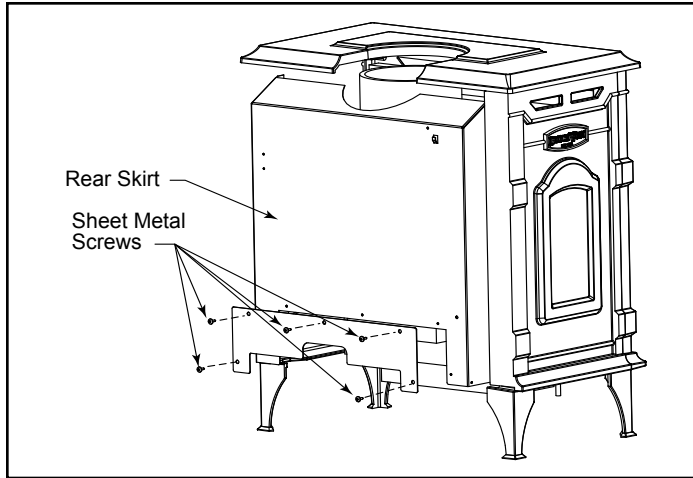


Figure 65 - Remove rear skirt.

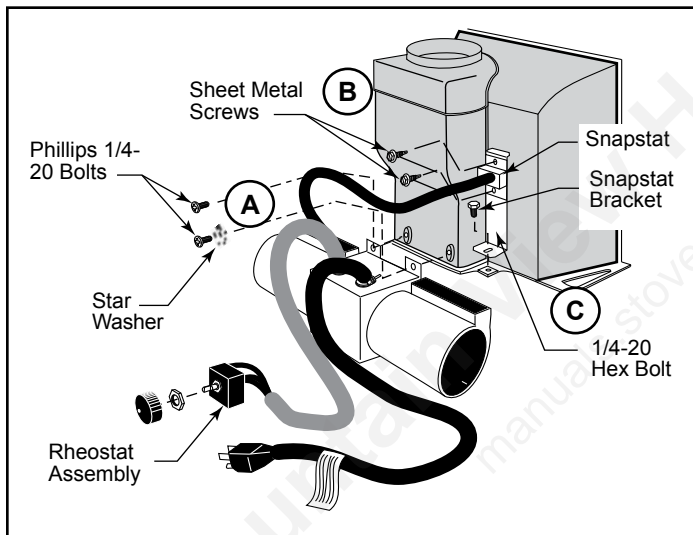


Figure 66 - Attach fan assembly and snapstat.

2. Attach the snapstat assembly to the snapstat bracket with two sheet-metal screws. ('B', Figure 66) Attach the snapstat bracket to the stove with a hex-head bolt passing through the bracket and into the stove base. ('C', Figure 65)
3. The rheostat control switch attaches to the left side of the valve bracket at the front of the stove.
 - Remove retaining nut from shaft of rheostat. (if preinstalled)
 - Insert the rheostat through the hole in the back of the left side of the valve bracket, aligning the locator pin with the smaller hole in that bracket.

- Thread the retaining nut onto the shaft of the rheostat, tightening with a wrench. Do not overtighten.
- Attach the control knob to the rheostat shaft.
- Use the wire tie to secure the fan and rheostat wire harnesses together.

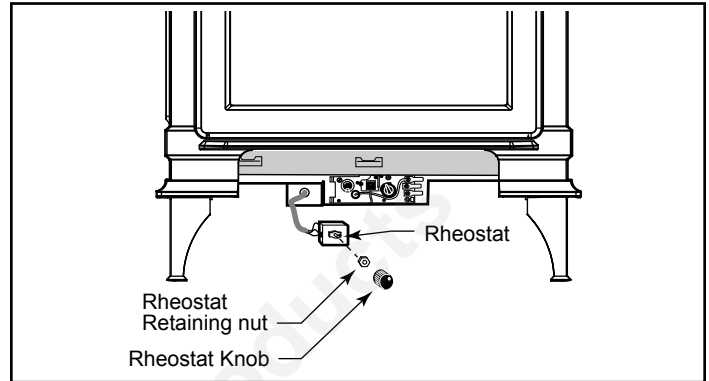


Figure 67 - Attach the fan rheostat.

Dutchwest Natural Vent

1. Attach the fan assembly to the bracket provided in the log box using the #10 sheet metal screws provided with fan kit. Do not remove finger guard screws. (Figure 68)

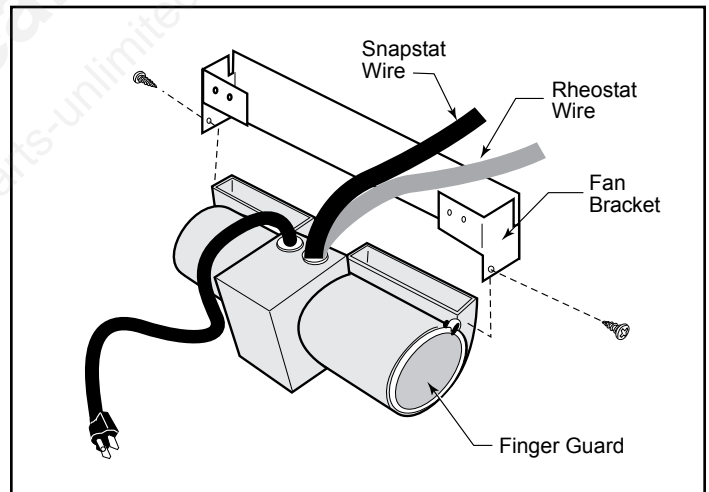


Figure 68 - Attach the fan assembly to the fan bracket.

2. Connect snapstat leads. Disconnect the snapstat module from the leads inside the snapstat bracket. (Figure 69) Bend open the snapstat bracket. Use needle nose pliers to remove the black plastic grommet from the bracket. Discard the bracket. Connect the two wires to the two snapstat extension leads provided with the parts bag (wires with the sleeve).

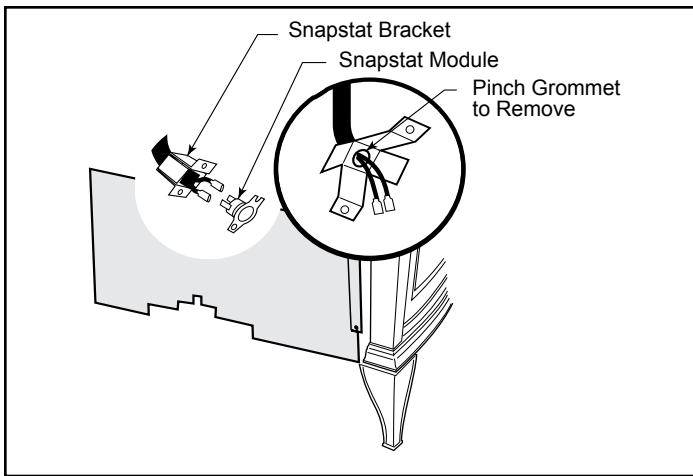


Figure 69 - Remove the snapstat and grommet from the bracket.

3. Disassemble the inner shroud from the outer shroud by removing the four screws, two on each side.
4. Place the grommet provided in the parts bag assembly on the inner shroud. Run the snapstat extension assembly leads through the grommet toward the firebox. (Figure 70)

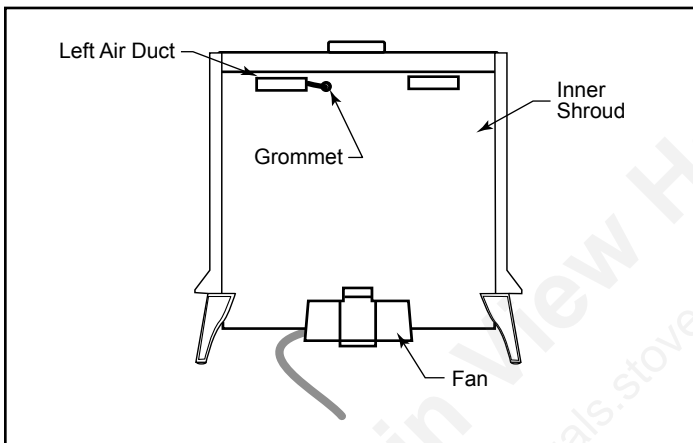


Figure 70 - Attach snapstat wire assembly to inside of inner shroud with clamp screws.

5. Assemble the inner shroud to the outer shroud using previously removed screws.
6. Position the fan assembly so the ducts slide between the inner and outer shroud. The inner shroud should engage with the two slots in the ends of the bracket so the bracket and shroud are interlocked. (Figure 71) Secure the bracket with the four sheet metal screws provided in the finish bag.
7. Install the snapstat by loosening the front screw on the inner side of the duct. (Figure 72) Slide the snapstat under the head of the screw and tighten. Connect the leads to the snapstat. Make sure the snapstat assembly is mounted straight front to back.
8. After sliding the firebox in place, the rheostat control switch attaches to the left side of the valve bracket at the front of the stove. (Figure 73)

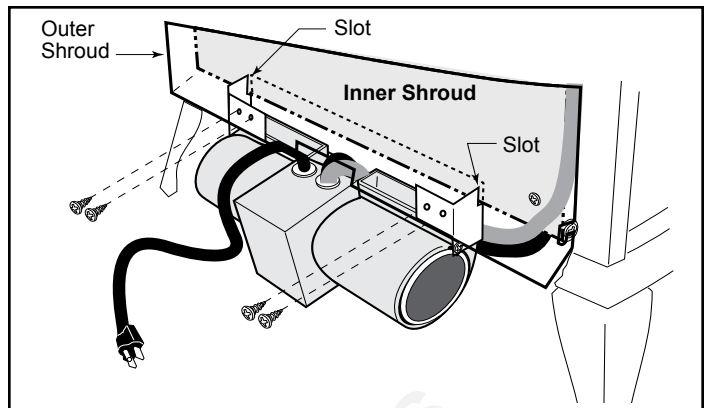


Figure 71 - Position the fan to engage the inner shroud with the fan bracket slots and secure with sheet metal screws.

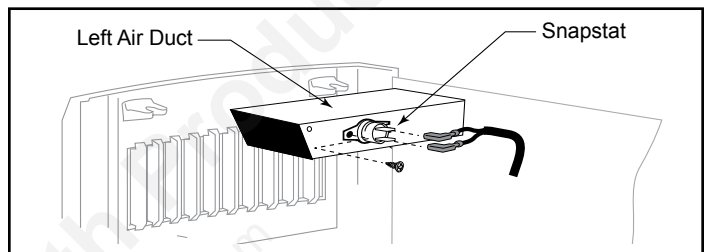


Figure 72 - Install the snapstat and connect the extension wire terminals. View is with top removed, however, access is available through the rear when installing fan before gas line connection.

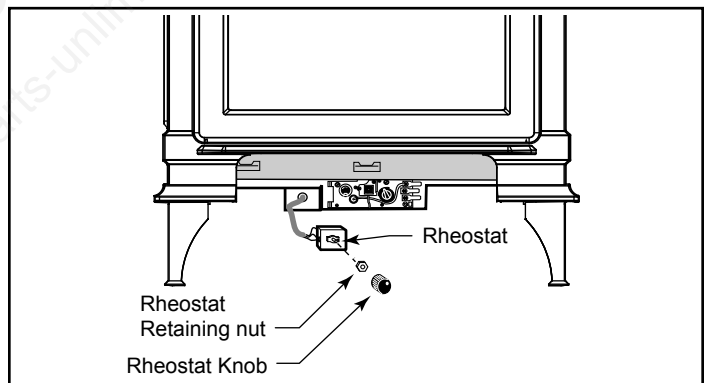


Figure 73 - Attach the fan rheostat.

- Remove retaining nut from shaft of rheostat. (if preinstalled)
 - Insert the rheostat through the hole in the back of the left side of the valve bracket, aligning the locator pin with the smaller hole in that bracket.
 - Thread the retaining nut onto the shaft of the rheostat, tightening with a wrench. Do not overtighten.
 - Attach the control knob to the rheostat shaft.
 - Use the wire tie to secure the fan and rheostat wire harnesses together.
9. Plug the power cord into a standard grounded 110 volt household outlet. If the fan control knob is not turned to the OFF position, the fan will turn on when the temperature at the snapstat reaches approximately 109°F.

Defiant NonCat

1. Attach the fan assembly at the bottom edge of the inner back with two (2) 1/4-20 x 3/4" hex head screws.
2. Attach snapstat to the mounting holes on the underside of the bottom with two (2) 1/4-20 pan head screws.
3. Attach the rheostat holder (provided with the stove) under the right front wing of the bottom heat shield with two (2) #10 sheet metal screws.
4. Attach the rheostat to its holder by inserting the rheostat control shaft through the holder hole. Install the retaining ring and rheostat knob onto the shaft.
5. Secure the rheostat cable to the underside of the bottom heat shield using the wire tie provided and the hole at the right rear edge of the heat shield.
6. Fan will not operate until stove reaches approximately 109°F.

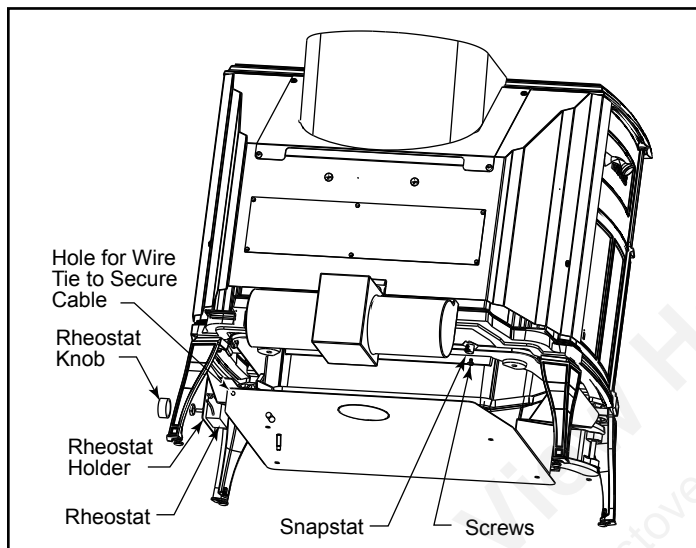


Figure 74 - Defiant NC fan installation.

Dutchwest NonCat

1. Secure the fan assembly to the inner back with two (2) 1/4-20 x 3/4" hex head screws and one (1) 1/4" star washer as shown in Figure 75.
2. Attach snapstat to the mounting holes on the underside of the bottom with two (2) 1/4-20 pan head screws.
3. Attach the rheostat to the door handle insert holder near the front left leg. Insert the rheostat control shaft through the handle holder hole. Install the retaining ring and rheostat knob onto the shaft.
4. Place cables where they won't be harmed by traffic.
5. Fan will not operate until stove reaches approximately 109°F.

Encore NonCat

1. Remove the sheet metal outer back shown in Figure 75.
2. Attach the fan assembly at the bottom edge of the inner back with two (2) 1/4-20 x 3/4" hex head screws and one (1) 1/4" star washer.
3. Attach snapstat to the mounting holes on the underside of the bottom with two (2) 1/4-20 pan head screws.
4. Attach the rheostat holder, (provided with stove), under the right wing of the bottom heat shield with two (2) #10 sheet metal screws.
5. Attach the rheostat to its holder by inserting the rheostat control shaft through the holder hole. Install the retaining ring and rheostat onto the shaft.
6. Secure the rheostat cable to the underside of the bottom heat shield using the wire tie provided on the hole at the right rear edge of the heat shield.
7. Fan will not operate until stove reaches approximately 109°F.
8. Replace the sheet metal outer back.

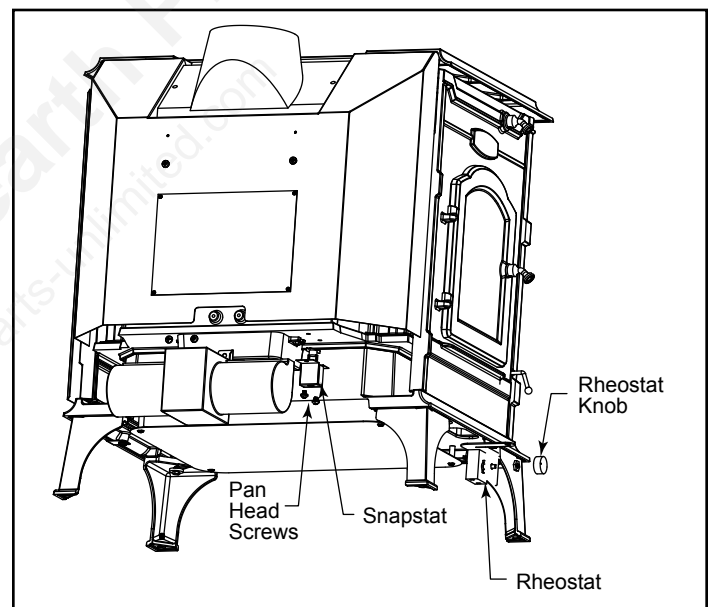


Figure 75 - Dutchwest fan installation.

Vermont Castings

352 Mountain House Road • Halifax, PA 17032
www.vermontcastings.com