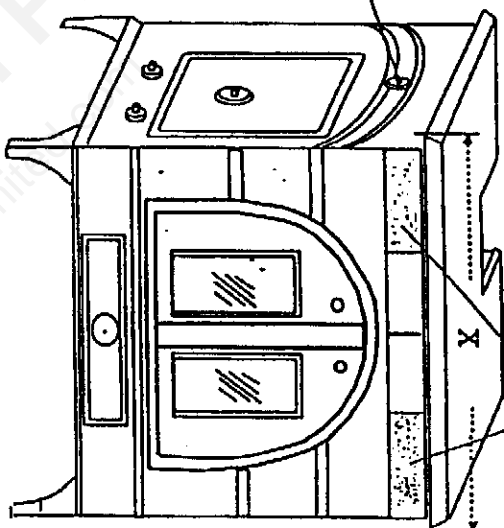


1984-86, and 1986-1990 Dutchwest Convection Stoves

two separate screened air outlets here.



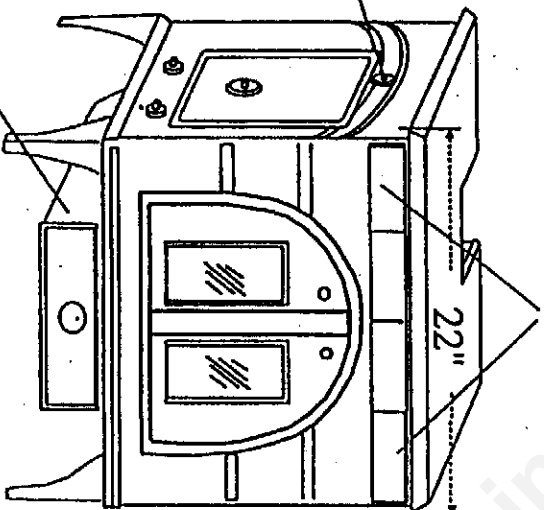
Units built in 1984-86 have no air inlet over the side door.

Units built in 1986-90 have an air inlet over the side door.

If X = 22", stove is model FA224CCL (small convection).
 If X = 26", stove is model FA264CCL (large convection).
 If X = 26" and the side-load door is on the right-hand side (as you face the stove), the stove is model FA264CCL-R
 If X = 28", stove is model FA288CCL (extra-large convection). 1985-90 versions of model FA288CCL have arched windows.

FA224ACI 'A-cilus' Stove

no air outlets here.



Units built in 1984-86 have no air inlet over the side door.

Units built in 1986-90 have an air inlet over the side door.

External ashpan