



Intrepid II 1990 Service Procedure

REPLACING THE PRIMARY AIR THERMOSTAT, BALL CHAIN, JUMP RING AND/OR DAMPER ACTUATOR ROD

Materials needed: Thermostat assembly or damper rod parts as needed.

Tools: Phillips screwdriver; 5/32" Allen wrench; needle nose pliers.

Time needed: Approximately 1 hour.

Procedure

1. Place the damper in the open (updraft) position.
2. Disconnect the ball chain at the lower ball chain fitting which is riveted to the primary air valve (flap).
3. Remove the primary air thermostat housing. Once the two bolts are removed, slide the housing from right to left off of the damper actuator rod.
4. Remove the jump ring, ball chain fitting, and ball chain from the thermostat clip by opening the jump ring with needle nose pliers.
5. Remove the thermostat from the housing by unscrewing it. You will have to bend the thermostat lever slightly in order to unscrew it. Save the two #10 washers and the compression spring.
6. Pull the damper actuator rod out of its pocket in the rear left and through the thermostat housing pocket.

After making the required repairs and/or replacements, **re-assemble** in reverse order. Be sure to bend the thermostat lever to its original position before re-installing the re-assembled thermostat housing. See Fig. 1 and Fig. 2. Ensure the end of the damper rod inserts into the pocket in the rear left.

Fig. 1 Primary air thermostat and housing showing proper positioning of the thermostat tab, jump ring, ball chain fitting and ball chain. Detail in lower left corner shows assembly sequence.

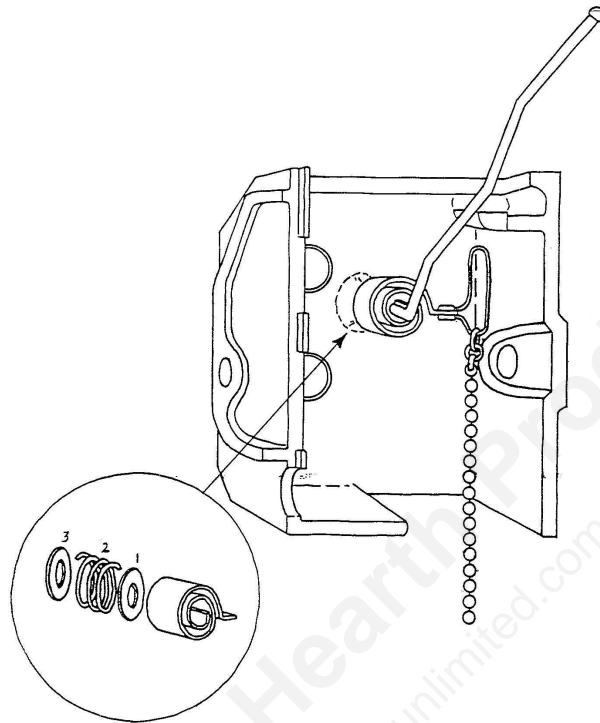
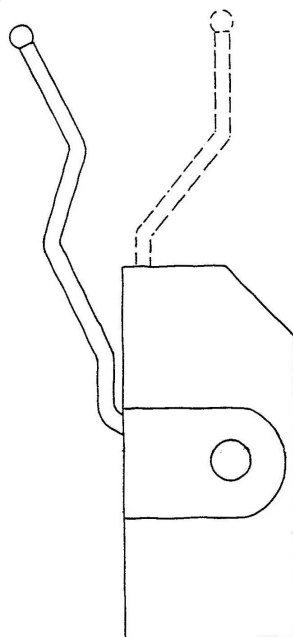


Fig. 2 Primary air thermostat housing assembled. The bold line (1) shows the lever in its proper position for assembly. The dot-dash line (2) shows the lever in its proper position for installation on the stove back.



Therm Handle should look like this.



Make sure there is clearance between Therm and Stove Top.



Therm Assy