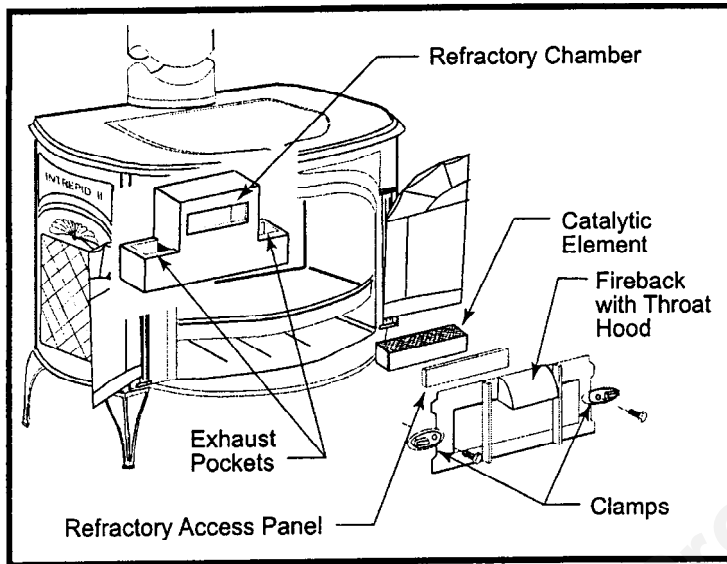


# Procedure For Replacing 1308, 2070 & 1990 Intrepid II Refractory Package



1. Remove the andirons
2. Reach inside the stove with a pair of pliers and turn the two clamps that hold the fireback 90 degrees. Turn the left clamp clockwise and the right clamp counterclockwise. The bolts that hold these clamps are tapped into the back as well as capped by chrome acorn nuts in the back.
3. Grasp the fireback by its vertical ribs and remove it, together with the attached throat hood. Pull the left side out first.
4. Carefully remove the access panel in front of the catalytic element.
5. Gently slide the catalytic element out of the refractory chamber.
6. Remove the damper assembly. It is held in place by two weld tabs and two chrome acorn nuts in the back of the stove. Loosen the chrome acorn nuts and rotate the tabs to release the damper assembly. You may find it necessary to remove or loosen the thermostat cover to access the one of the acorn nuts installed behind the cover.
7. Remove the secondary air rear cast cover in the back of the stove which is held in place with two Phillips screws.
8. Take out the secondary probe by removing the upper Phillips screw and sliding the probe out of the hole.
9. Lift the damaged refractory assembly up and out of the firebox.
10. Reverse the procedure for installing the new refractory assembly. **There are two cast bosses (tabs) on the rear of the lower fireback which make sliding the refractory assembly down difficult. Pushing it down will leave a small groove in the front of the assembly. This is okay. If very tight, you may file or dremmel the bosses slightly.** Make sure you pilot a small hole where the secondary probe will insert into the assembly before installing the probe. This can be done from the rear of the stove after the refractory is installed or marked and done before.

