



Thermostat Assemblies for the 1975 - 1988 Defiant, and Vigilant, Resolute and Intrepid Stoves

The thermostat assemblies covered in these instructions are for the 1975 - 1988 Defiant (identified by solid front doors, with no openings for glass panels), and the Vigilant, Resolute and Intrepid stoves. Although the assemblies differ slightly for the four stoves, the procedure is the same. The illustrations show the orientation and appearance for the assembly for each stove.

The only tools needed for this installation are a screwdriver, pliers and a strong light.

You must be able to get at the back of the stove. Move the stove only with help. You will need to remove the rear heat shield if one is installed.

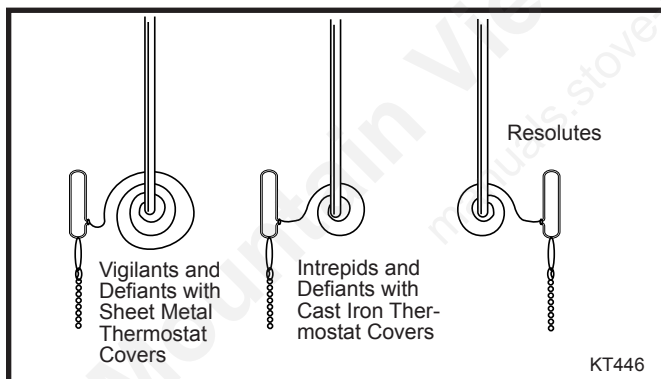


Fig. 1 Identify the thermostat for your stove.

Remove the Old Thermostat Assembly

1. Disconnect the ball chain from the air intake shutter. You may need to grip the chain with pliers.
2. Remove the screw that holds the sheet metal or cast iron thermostat cover in place, and take the cover off. You may need to bend the thermostat lever away from the stove to remove the cover.
3. Unscrew the thermostat lever from the back of the stove. Save the small compression spring with the new lever.

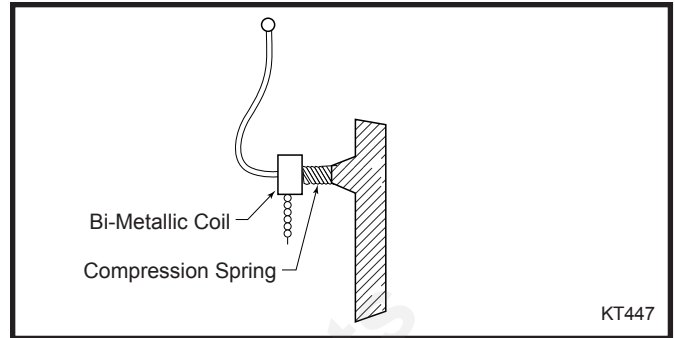


Fig. 2 Save compression spring for new thermostat lever.

Install the New Thermostat Assembly

1. Put the compression spring on the threaded shaft of the new lever. Start screwing the lever into the back of the stove, being careful to avoid cross-threading. The lever should turn easily. If it does not, back the lever out and start over. A drop of light machine oil on the threads may help.
2. Keep turning the lever until you feel resistance caused by the spring being compressed. Turn the lever one more revolution.
3. Replace the thermostat cover.
4. Bend the thermostat lever into position. For the Intrepid, you will need to bend the thermostat into an upward position. Do this after the thermostat cover has been replaced, by holding a wooden or metal dowel in the curve of the lever and bending it upward 90°. (Fig. 3)

The thermostat levers of other models may need to be bent slightly toward the stove to be easily accessible.

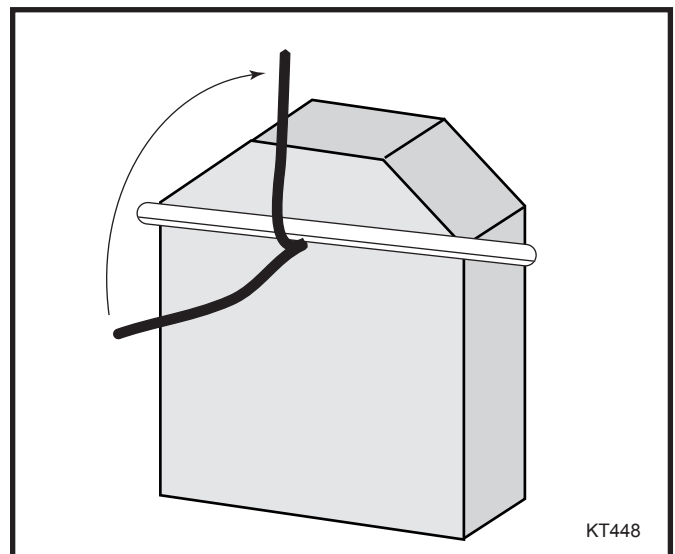


Fig. 3 Hold the bar in place as you bend the new lever into position.

Adjust the Chain Length

1. Make the initial chain adjustment when the stove is cold. With the lever pointing straight up, connect the ball chain to the air intake shutter so the shutter is half open. This setting will work well for most installations.
2. Replace the back heat shield if there was one installed originally.
3. Check these three important points when the stove is hot:
 - The chain should be long enough so the air intake shutter can close all the way.
 - The chain should be short enough so that even at high temperatures the air intake shutter can be opened a little.
 - The lever should always be accessible over the stove top.

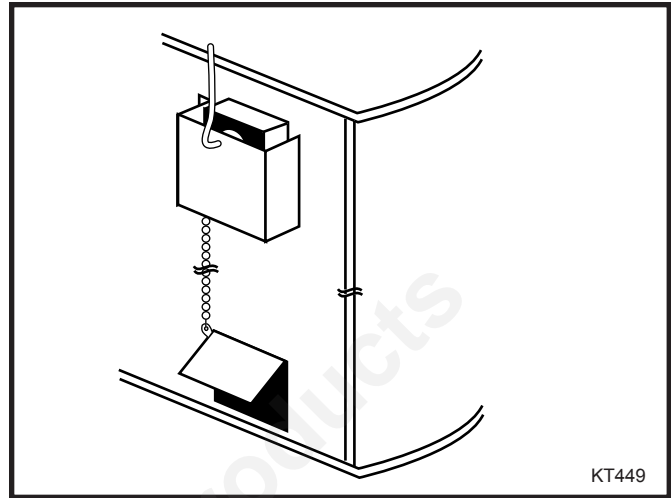


Fig. 4 On a cold stove, a properly adjusted thermostat assembly will draw the shutter half open when the lever is straight up.

CFM Corporation

2695 Meadowvale Blvd. • Mississauga, Ontario, Canada L5N 8A3
800-668-5323 • www.cfmcorp.com

Intrepid II Thermostat Installed

