

Outside Air Adapter

Kit #5076

Installation Instructions for Models 2240, 2470, 2600, 2610, RNV40, SNV30, Dutchwest NV

Please read these instructions before proceeding with the installation.

The Outside Air Adapter channels air for combustion directly form outside the home to the appliance. This can improve the comfort level of the home by reducing the uncontrolled infiltration of outside air and can improve performance in extremely tight homes by increasing the combustion air supply.

Materials Provided

- Outside Air Valve
- #10 Sheet metal screws (6)

Tools Required:

- #2 Phillips screwdriver • Flat screwdriver
- 1/4" drill bit • Tape measure
- electric drill • 3/8" open end wrench

Installation Precautions

The round flange of the air valve must be connected to a 3" (75 mm) diameter duct. Adhere to the following guidelines when designing your outside air system:

The air duct should terminate at an outside air source.

- At least the first 3 feet of duct (starting at the stove) must be noncombustible. It is simplest to use noncombustible material for the entire duct.
- Do not terminate the duct near another fuel-fed appliance.
- The air inlet must be covered by a wire mesh screen with openings not larger than 1/4" x 1/4" (6.4 x 6.4 mm) to prevent rodents from entering from the outside.

There are several types of stove shroud. For models 2240, 2470, 2600 and 2610, compare your stove to Figure 1. If the shroud on your stove does not have a cover plate as shown in 'A', follow the instructions in Procedure 1. Follow Procedure 2 if the shroud has a cover plate or knock-out panel as shown in 'B' and 'C'. The valve is installed at the lower right rear of the shroud. For models RNV40 (Radiance Natural Vent) and SNV30 (Stardance Natural Vent), follow the procedures on page 3 and 4.

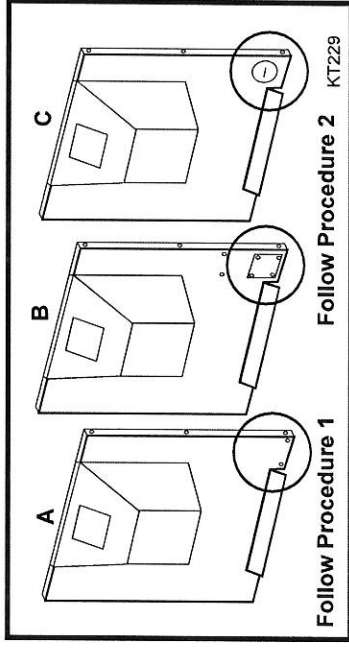
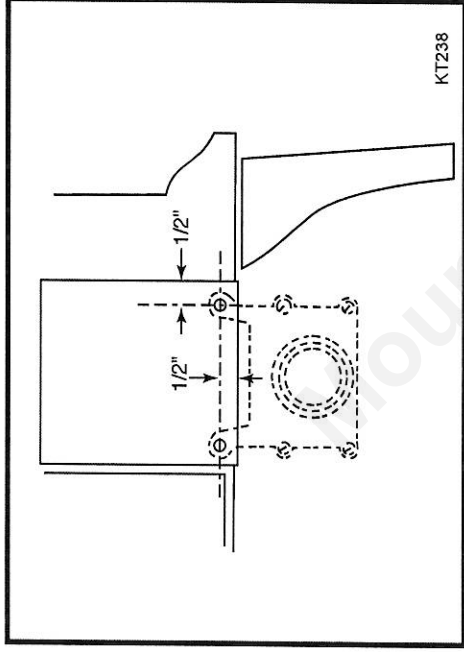


Fig. 1 Follow Procedure 1 or 2 depending on the shroud type.

Procedure 1 (For stoves without a cover plate.)

1. From the rear of the stove, mark the location of the first mounting hole for the Outside Air Valve. This hole will be 1/2" from the right edge of the sheet metal shroud and 1/2" up from the bottom of the shroud as shown in Figure 4.
2. Carefully drill a 1/4" hole in the shroud.
3. Remove the top two screws that hold the outside air valve together. Retain the nuts and screws for later use.
4. Place the outside air valve against the shroud and position it to allow the screw to be inserted through both the valve and the shroud.
5. Loosely fasten the valve to the shroud with the nut and screw removed in Step 3.
6. Align the outside air valve so that it hangs plumb. Mark the location of the second 1/4" hole to be drilled.
7. Carefully drill the second 1/4" hole in the shroud.
8. Insert the final screw through the valve housing and shroud and tighten the nut. Finish tightening the first screw.
9. Attach a 3" diameter outside air duct to the valve and plumb the duct to your outside air source.



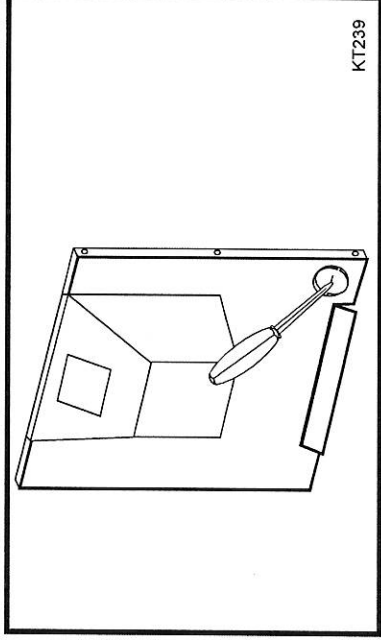
KT238

Fig. 4 Mounting hole locations.

Procedure 2

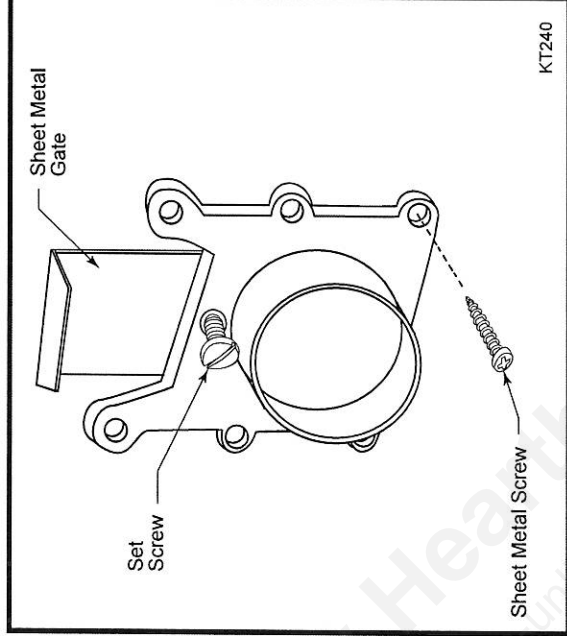
(For stoves with a cover plate or knockout)

1. If the rear shroud has a cover plate, remove the six (6) sheet metal screws and the cover plate from the lower right corner of the shroud. Set the screws aside for use later.
2. If the rear shroud has a knockout, as in Figure 5, insert a flat head screwdriver into the center slot and twist the knockout panel until it snaps out of the shroud.
3. Remove the six (6) screws that hold the valve halves together and separate the halves. Retain the sheet metal gate and the half of the valve housing that has a set screw in it. The other half will not be used with this shroud.
4. Loosely attach the valve housing to the shroud using the sheet metal screws as shown in Figure 6.
5. Insert the sheet metal gate into position between the shroud and valve housing with the bent handle portion facing outward.
6. Tighten the screws only enough to allow the gate to slide up and down. (Fig. 7)
6. Attach a 3" diameter outside air duct to the valve and plumb the duct to your outside air source.



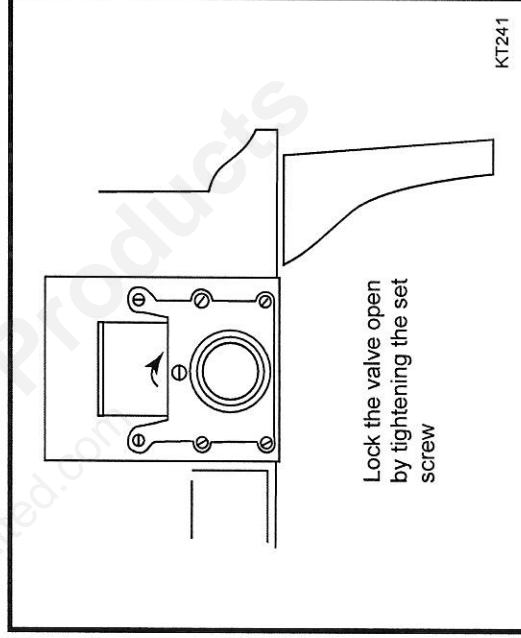
KT239

Fig. 5 Use a screwdriver to remove the knockout.



KT240

Fig. 6 Valve assembly.



KT241

Fig. 7 Valve in open position.

Procedure for the Radiance Natural Vent “RNV40” Heater

The outside air adapter attaches to the bottom part of the stove's rear sheet metal skirt, on the same panel which carries the optional fan. There are predrilled holes in the panel to accept the adapter. If the fan is already installed you will need to remove it temporarily to attach the outside air adapter.

1. Remove the top two bolts and nuts from the adapter, as shown in Figure 8.
2. Make sure the top tab of the sheet metal gate, and the round-head bolt that holds the gate open, are on the same side of the assembly. Turn the gate fastener clockwise to fasten the gate open. (Fig. 8)
3. Fasten the assembly to the sheet metal panel as shown in Figure 10, with the two bolts removed previously.
4. Attach a 3" (76mm) diameter duct to the round flange on the adapter. Fasten the duct to the flange with a hose clamp (not included) or a sheet metal screw passing through a hole drilled in the flange by the customer.

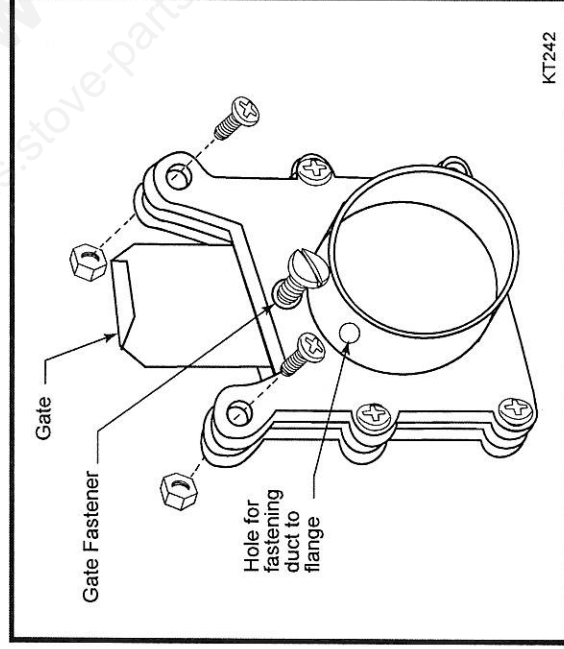


Fig. 8 Preparing the adapter.

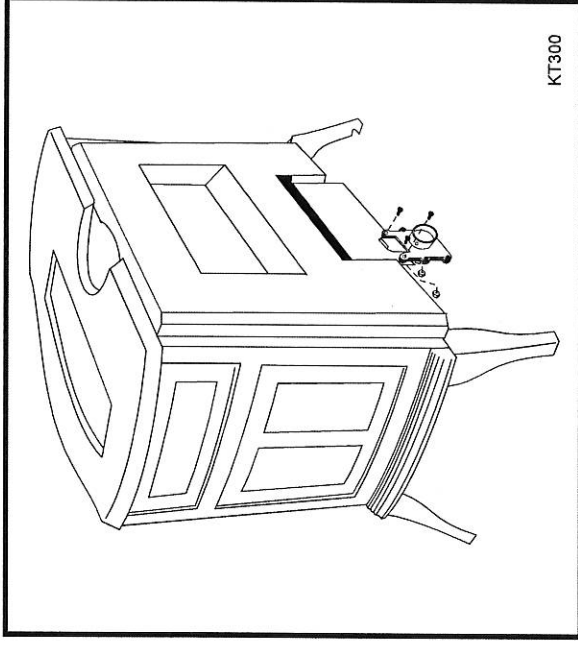


Fig. 9 Position the adapter.

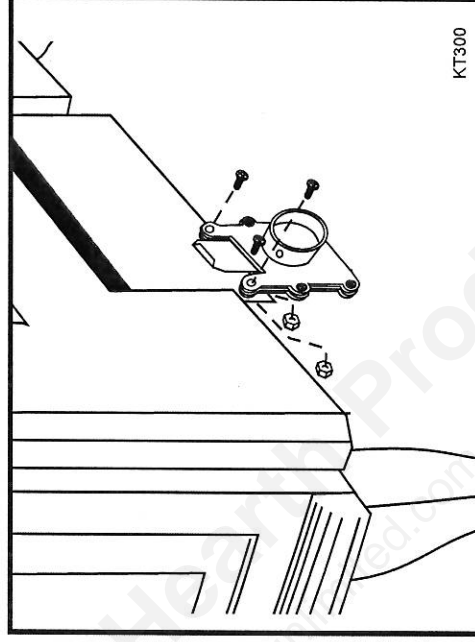


Fig. 10 Attach the adapter.

Procedures for the Stardance Natural Vent “SNV30” Heater

The outside air adapter attaches to the lower right corner (as you face the stove) of the sheet metal rear skirt. The adapter attaches to one predrilled hole in the skirt. With a fan attached to the heater, the outside air adapter must attach by its top right corner. Without a fan attached to the heater, the adapter can attach by its top left corner, for more concealment behind the heater body.

1. Make sure the top tab on the gate and the fastener for the gate are on the same side of the adapter assembly. (Fig. 11) Turn the gate fastener clockwise to fasten the gate in the open position.
2. Remove one top nut and bolt from the adapter, according to whether there is a fan attached to the heater. (Fig. 11)
3. Use a 3/4" sheet metal screw to attach the adapter assembly to the rear skirt as shown in Figure 12 or 13.
4. Attach a 3" (76mm) diameter duct to the round flange on the adapter. Fasten the duct to the flange with a hose clamp (not included) or a sheet metal screw passing through a hole drilled in the flange by the customer.

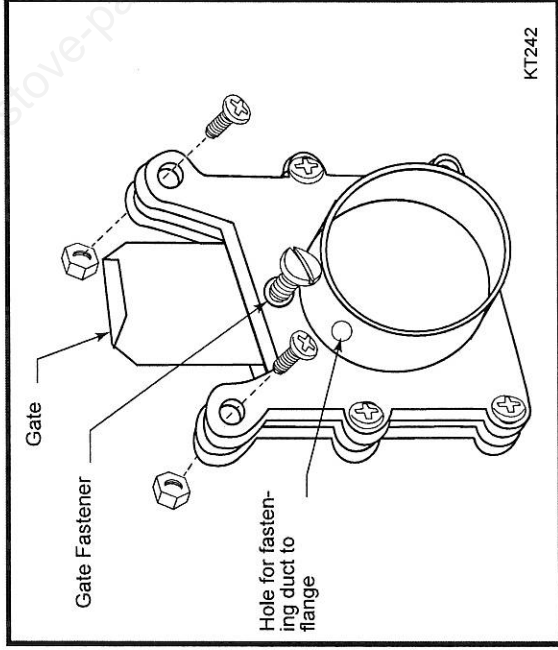


Fig. 11 Preparing the adapter. Remove only one top bolt and nut.

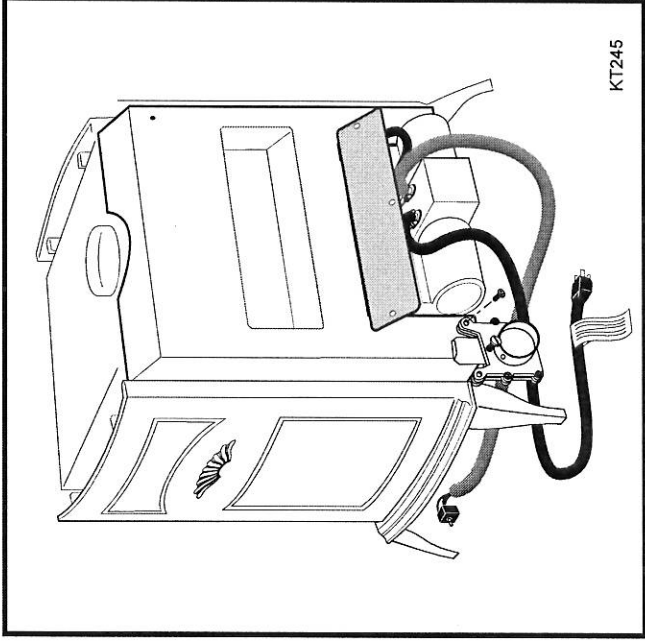


Fig. 12 Adapter attachment with an optional fan installed on heater.

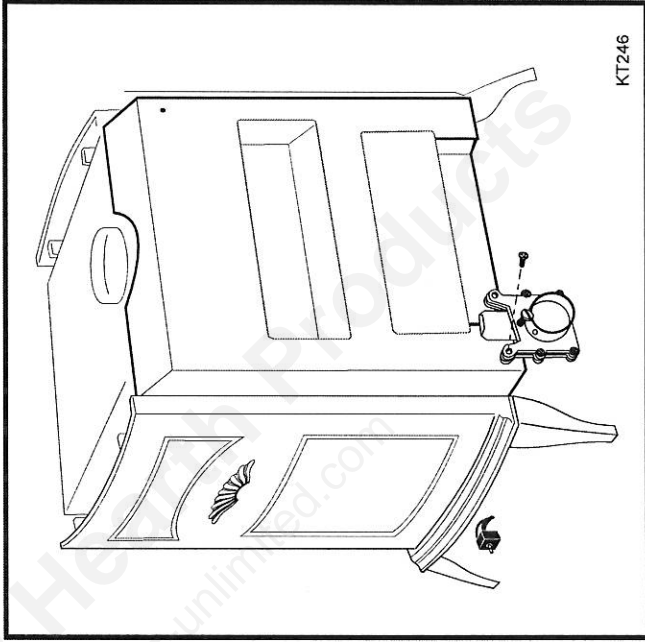


Fig. 13 Adapter attachment without an optional fan.

Vermont Castings Group
149 Cleveland Drive • Paris, Kentucky 40361
www.vermontcastingsgroup.com